



## Dual Rail for C6, M240 and MAG 58 Machine Gun

The Cadex Dual Rail for the C6, M240, and MAG 58 Machine Guns provides users with a robust mount for laser pointers and illumination devices. With Mil Std 1913 rails at the 3, and 9 o'clock positions, the rail is designed to reduce heat and vibration transferred to attached electro-optics and provide excellent zero retention of these devices.

The rail is installed on the weapon's gas cylinder and secured by two clamps; correct indexing of the rail is assured by its interface with existing flats of the gas cylinder (Interface can be modified upon request). This rail system will remain tightly fitted under harsh vibration and shock of use, and will not pinch the gas system or interfere with barrel changes.

The rail features vents to keep mounted accessories cool, and the side rails are removable to permit the rail system to be changed to fit mission requirements.

This durable rail is machined from 6061 T6 aluminum, anodized for a long lasting finish.

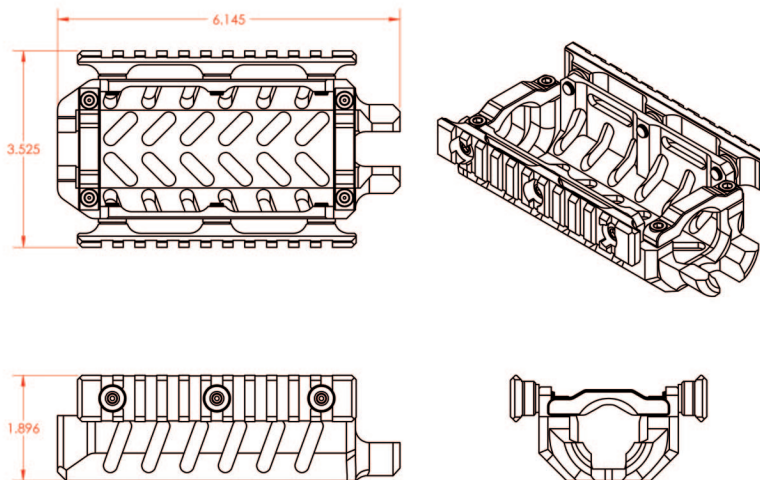
This rail system is designed and manufactured in Canada to provide users of the C6, M240 and MAG 58 Machine Guns with a mission capable mounting solution.



## Specifications

Material	: 6061 T6 Aluminum
Weight	: 285 grams / 10 ounces
Interfaces	: C6, M240 and FN MAG 58 Machine Guns
Rails	: M1913 Rails at 3 and 9 o'clock
Colors	: Black anodized

## Dimension



[www.cadexdefence.com](http://www.cadexdefence.com)



CONTACT US FOR MORE INFORMATION

### CADEX DEFENCE

755 Ave. Montrichard  
St-Jean-sur-Richelieu (Qc)  
Canada, J2X 5K8

Tel: 1.450.348.6774 / Fax: 1.450.348.7157

### CADEX SALES

Tel: 1.450.348.6774  
[sales@cadexinc.com](mailto:sales@cadexinc.com)  
[www.cadexdefence.com](http://www.cadexdefence.com)