



## SHORT ASSAULT CLIMBING HOOK ( 4 INCH )

The Cadex Short Assault Climbing Hook (SACH) provides assaulters with an extremely versatile tool for vertical Method of Entry in scenarios where it is not practical to use the larger Cadex Long Assault Hook.

It is designed to be used with pole systems such as any after market pole to emplace and securely fix assault ladders in place on the wide variety of surfaces encountered on operations. The SACH can be employed with or without carabiners, be hand emplaced and used to secure ropes for multiple mobility scenarios, ascending or descending. Designed to stand up to tough use, the SACH's light weight body is constructed from 6061-T6 Aluminum, with all critical hardware made of corrosion resistant steel. To ensure the SACH stays fixed when it is emplaced, it uses sharp carbide spikes, which are extremely resistant to wear or breakage.

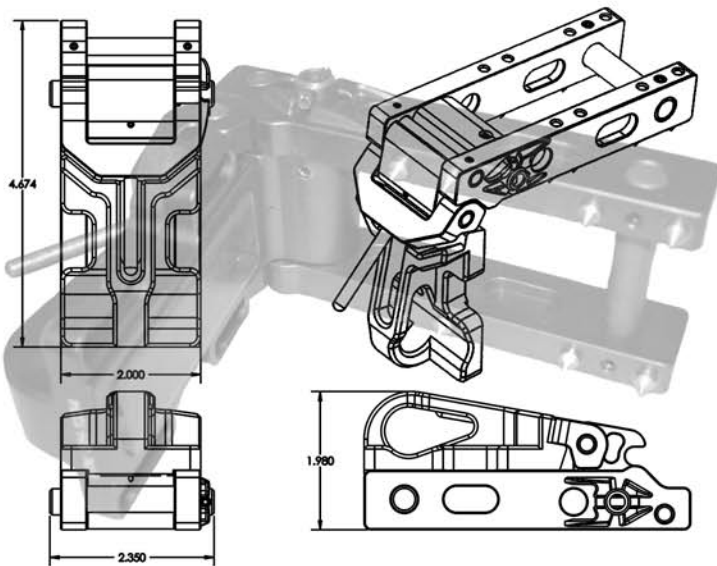
Tactical Team Operators require an assault hook that is compact and easy to carry in a host of load carriage systems; the 4.7 inch SACH opens to 90 degrees for use; folded it fits easily in a pouch.

The SACH provides personnel with a robust tool for their mobility requirements.

### Specifications

Material :	Frame: 6061-T6 Aluminum
	Spikes: Carbide
Weight :	355 grams / 12.5 ounces
Opening angle :	83 degrees
Colors :	Anodized Black
Static Hook Capacity :	1300 pounds

### Dimension



[www.cadexdefence.com](http://www.cadexdefence.com)



CONTACT US FOR MORE INFORMATION

#### CADEX DEFENCE

755 Ave. Montrichard  
St-Jean-sur-Richelieu (Qc)  
Canada, J2X 5K8

Tel: 1.450.348.6774 / Fax: 1.450.348.7157

#### CADEX SALES

Tel: 1.450.348.6774  
sales@cadexinc.com  
www.cadexdefence.com

