

SURVEILLANCE RAIL WITH INVERTER

This Cadex electro-optic mount provides the sniper/ surveillance team with the ability to dominate the night time battle-space. The mount comprises the Cadex Spotting Scope Inverter and an adjustable night vision bracket. This night vision support allows the operator to incorporate their inline night vision, such as a UNS to the Leupold spotting scope to maximize the ground they can cover with their night vision equipment.

Installation of the spotting scope and night vision sight is precise for excellent optical coincidence. The main bracket arm adjusts to fine tune the spotting scope and night sight for an optimum image. Laser pointers and other electro-optic devices can be mounted on the Inverter bracket, which has Mil Std M1913 rails at 3, 9 and 12 o'clock positions.

The sniper can minimize their equipment load by integrating electro-optics used on their weapon systems as part of their surveillance suite.

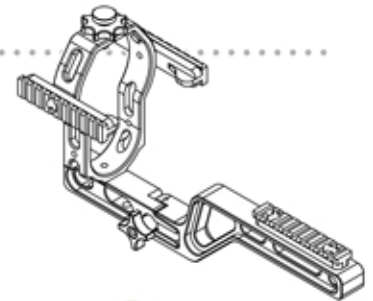
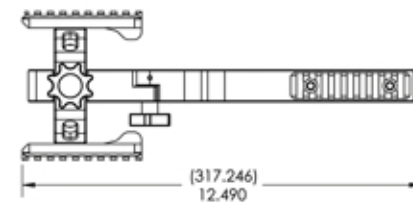
Customers may request other mounting options to fill their particular requirements. This electro-optic mount is produced of aluminum to minimize weight and fits most lightweight tripods available. Designed and manufactured in Canada, this Cadex device provides the sniper an excellent surveillance capability.



Specifications

Inverter	: Leupold Spotting Scope - Others upon request
Main Bracket	: UNS - Others upon Request
Weight	: 630 grams / 22.2 ounces
Colors	: Black anodized

Dimension



ALL DIMENSIONS ARE IN INCHES
DIMENSIONS IN () ARE IN mm

www.cadexdefence.com



CONTACT US FOR MORE INFORMATION

CADEX DEFENCE

755 Ave. Montrichard
St-Jean-sur-Richelieu (Qc)
Canada, J2X 5K8

Tel: 1.450.348.6774 / Fax: 1.450.348.7157

CADEX SALES

Tel: 1.450.348.6774
sales@cadexinc.com
www.cadexdefence.com