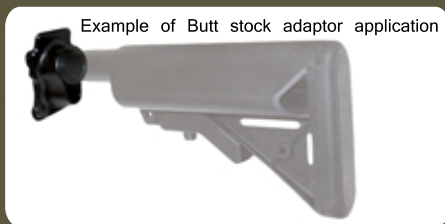


BUTT STOCK ADAPTOR FOR C9, M249, MINIMI & MK48 MACHINE GUNS

The Cadex Butt Stock Adaptor for the C9, M249, FN Minimi and MK48 family of light machine guns permits the user to adjust butt length according to their order of dress.



As mission requirements change, so do the layers of body armour, load bearing gear and clothing worn by the light machine gunner. The Cadex Butt Stock Adaptor allows the fitting of issue and aftermarket M4/C8 carbine butt stocks so that the user can tailor their length of pull and eye relief as required.

Installation of the butt stock adaptor requires no modifications to the weapon; it mounts by using the existing take-down pins and accommodates the wide variety of M4/C8 carbine butts. In addition, the machine gun can be fitted by the user with a carbine sling adaptor plate to suit mission requirements.

This butt stock adaptor allows organizations to reduce their logistic and training load. They can use the same butt stock and sling plate components for their carbine and light machine gun fleets, simplifying spare parts and training requirements.

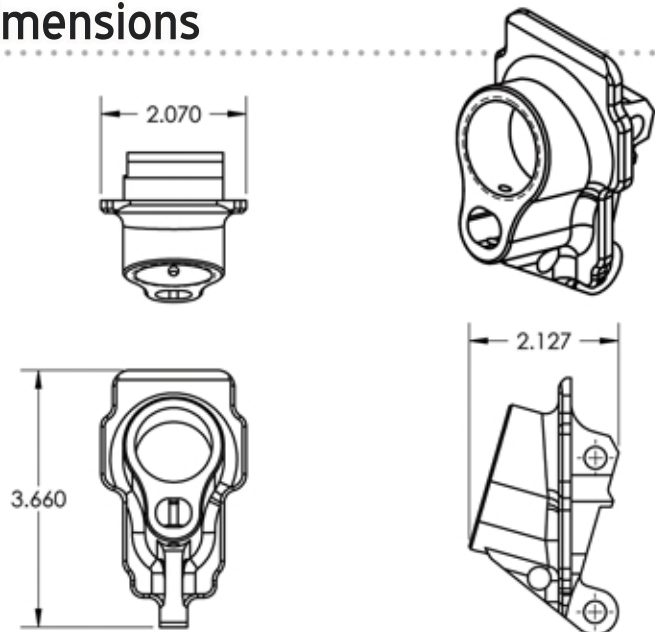
The C9/M249/MK48 Butt Stock Adaptor is designed and manufactured by Cadex.



Specifications

Material	: Aluminum
Weight	: 145 grams / 5 ounces
Interfaces	: C9, M249, FN Minimi and MK48 LMGs
Colors	: Black anodized

Dimensions



www.cadexdefence.com



CONTACT US FOR MORE INFORMATION

CADEX DEFENCE

755 Ave. Montrichard
St-Jean-sur-Richelieu (Qc)
Canada, J2X 5K8

Tel: 1.450.348.6774 / Fax: 1.450.348.7157

CADEX SALES

Tel: 1.450.348.6774
sales@cadexinc.com
www.cadexdefence.com