



DUAL RAIL FOR C9, M249 AND FN MINIMI LIGHT MACHINE GUNS

The Cadex Dual Rail for the C9, M249, and FN Minimi Light Machine Guns provide the user with a versatile, light weight mount for laser pointers and illumination devices.

With Mil Std 1913 rails at the 3, and 9 o'clock positions, the rail is designed to reduce heat and vibration transferred to attached electro-optics and provide excellent zero retention of these devices.

The rail clamps to the weapon's receiver and is indexed by its interface with the existing front mount bushing; the rail design will sustain the harsh vibrations and shock of use to maintain excellent zero retention of aiming lasers. Installation of the rail normally requires no modifications to the weapon, and importantly, there are no changes to weapon operating drills.

To minimize weapon weight, the user can choose to use only the left or right rail assembly by employing the single rail adaptor that is part of this rail kit. This rail provides excellent stand off for mounted accessories to keep them away from barrel heat.

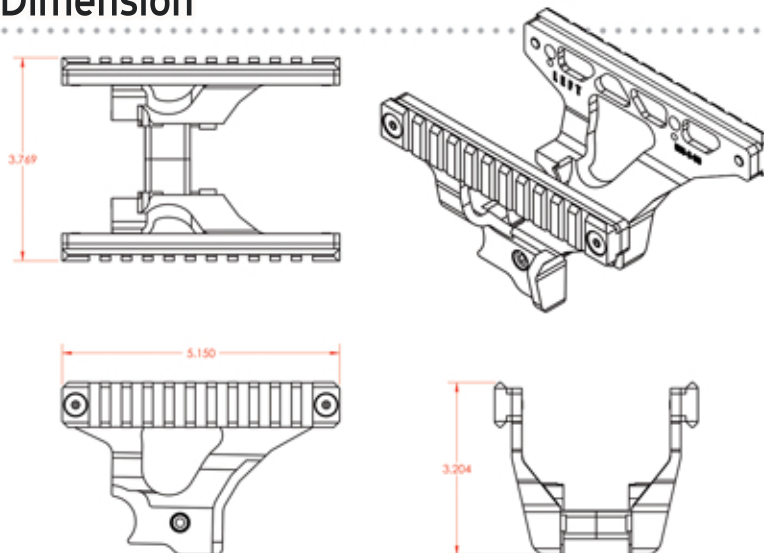
This rail system is designed to provide users of the C9, M249 and FN Minimi Light Machine Guns with a mission capable mounting solution.



Specifications

Material	: Aluminum
Weight w/one rail	: 145 grams / 5 ounces
Weight w/two rail	: 241 grams / 8.5 ounces
Interfaces	: C9, M249 and FN Minimi Light Machine Guns
Rails	: M1913 Rails at 3 and 9 o'clock
Colors	: Black anodized

Dimension



www.cadexdefence.com



CONTACT US FOR MORE INFORMATION

CADEX DEFENCE

755 Ave. Montrichard
St-Jean-sur-Richelieu (Qc)
Canada, J2X 5K8

Tel: 1.450.348.6774 / Fax: 1.450.348.7157

CADEX SALES

Tel: 1.450.348.6774
sales@cadexinc.com
www.cadexdefence.com