

**CAEDEX**  
DEFENCE   

Owning a Formula 1 car will immediately make you look good but won't automatically make you win podiums unless you perfect your driving skills.

A Precision Rifle is similar, the rifle is just as good as its shooter's skills. Environmental data gathering, advanced ballistic calculations and wind reading are hard to master. The synergy between the shooter, his rifle, the ammo and the shooting conditions must be absolutely perfect in order to make the shot count.

At Cadex we pride ourselves at manufacturing the absolute best sniper rifle money can buy, but also at being able to train beginner to advanced level shooters. It's not a coincidence that 3 of the 5 longest sniper kills ever recorded have been by Canadian shooters. Latest achievement being done at 3540m (3871 yards). There's no doubt that Canada has some of the best snipers trainers in the world and has perfected this art.

Our team is composed of former military snipers. Our instructors can provide training in Canada or overseas. Their track records vary between Special Forces training, Law Enforcement training up to recreational shooters interested to jump in the PRS/ELR game. Training is offered in English or French at their installations or in the end-users country if needed. We are equipped with the best gear on the market, firearms, optics, ammo, steel or electronic targets, etc.

The dream of hitting a target at extreme range is not far away. If you want to be part of the best you must train with the best. Contact us to be put in contact with our team.

Rob Furlong, former Canadian Sniper and President of Rob Furlong's Marksmanship Academy (RFMA) is looking forward to push your limits.



# EXTREME RANGE SUPREMACY

## WE ARE PROUD TO HAVE BEEN AWARDED ISO 9001:2015 CERTIFICATION



By achieving this level of certification, we have demonstrated that we consistently meet high quality standards. We would also like to take this opportunity to express our sincere thanks to our customers for their continued commitment and loyalty. We look forward to bringing our business to new heights in the years to come and putting the emphasis of quality assurance and innovation.

Available colors.....	6-7	
New products.....	8	
CDX-R7 series modularity.....	10-11	
Hunting rifles.....	12-15	
Precision rifles.....	16-35	
ELR rifles and left handed models.....	36-45	
Chassis systems.....	46-67	
Barrels, actions & accessories.....	68-108	
Carbine & shotgun accessories.....	109-115	
Electro-optic & accessories.....	116-129	
Machine gun equipment.....	130-139	
Breaching equipment.....	140-143	
Vehicle equipment.....	144-147	
Action and rifle spec sheets.....	148-153	
Cadex R&D solutions.....	154	
Promotional materials.....	155-157	
Contact us.....	158-159	

# DELIVERING COMPLETE SOLUTIONS WORLDWIDE



## TOP 5 COLORS

At Cadex, we pride ourselves at developing new products and color combinations to entertain our loyal clientele. It is easy to feel a bit lost when facing all the possible combinations.

A bit like in the fishing lure industry, every year there are many new offerings, but **certain classics tend to remain the best-selling colors.** Of all the variants we offer, five (5) colors stand out from the rest and are the colors **most stocking dealers carry on the shelf** due to the volume of sales they represent.

### 5 BEST-SELLING COLORS

1. Black (BLK)
2. Hybrid Grey/Black (HGB)
3. Hybrid Tan/Black (HTB)
4. Hybrid OD Green (HOD)
5. Hybrid Stealth Shadow Vortex (HSB)



In order to reduce the production lead-time to the very minimum, Cadex's production is oriented on these five best-selling colors. We spray these colors weekly, **which generally results in faster deliveries.**

On the other hand, if you want to stand out from the crowd, Cadex offers a wide range of eye-catching colors. Be ready to have the spotlight on you when you open your gun case at the range!



# AVAILABLE COLORS

## HYBRID COLORS

(Black barreled action combined to your choice of chassis color)



## SOLID COLORS

# AVAILABLE COLORS



Visit our website for high resolution pictures  
[www.cadexdefence.com](http://www.cadexdefence.com)

STANDARD COLORS	PRECISION RIFLES		CHASSIS SYSTEM	
	CERAKOTE COATINGS		CERAKOTE COATINGS	
BLK	H-146 Graphite Black	BLK	H-146 Graphite Black	<b>NEW FOR 2025</b>
TAN	H-308 CADEX Tan	TAN	H-308 CADEX Tan	<b>NEW FOR 2025</b>
ODG	H-232 Magpul® O.D. Green	ODG	H-232 Magpul® O.D. Green	<b>NEW FOR 2025</b>
SSV	C-293 Vortex Bronze	SSV	C-293 Vortex Bronze	
GRY	C-239 Sniper Grey	GRY	C-239 Sniper Grey	
WHT	H-297 Stormtrooper White	WHT	H-297 Stormtrooper White	
BRZ	H-148 Burnt Bronze	BRZ	H-148 Burnt Bronze	
ORG	H-128 Hunter Orange	ORG	H-128 Hunter Orange	
EGG	H-175 Robin's Egg Blue	EGG	H-175 Robin's Egg Blue	
NRA	H-171 NRA Blue	NRA	H-171 NRA Blue	
RED	H-167 USMC Red	RED	H-167 USMC Red	

### NEW FOR 2025

All Cadex rifles and chassis are now coated with Cerakote. Be advised that Cadex can not guarantee color match on any replacement or spare parts.

### BATTLE WORN SCHEMES (Available for TAN, WHITE, BRONZE, ORANGE, BLUE or RED variants only)

Each battle worn paint job is one of a kind



# NEW PRODUCTS

EXTREME LONG RANGE PRECISION RIFLE | P. 38-39

**CDX-BMG QUAKE** • 50 BMG | 29"



50 BMG 3 ROUND MAGAZINE



P. 82

TRIPOD CARRYING SLING



\*Fits 40mm leg only

P. 101

TRIPOD ARTICULATED ARM



P. 101

TRIPOD PICATINNY TO ARCA BLOCK

CONVERT ANY PICATINNY RAIL TO ARCA



TOP (Pic rail side) BOTTOM (Tripod side)

P. 99

X-LITE PRECISION RIFLE | P. 30-31

**X-LITE SERIES** • CDX-30 X-LITE | 6.5 PRC | 24" • CDX-300 X-LITE | 300 PRC | 30" • CDX-33 X-LITE | 300 NM | 30" • CDX-33 X-LITE | 338 LM | 30"



Available in FX Orange or FX Gold

**BOLT KNOB | P.77**

Interchangeable bolt knob kit

Now includes both round and tactical knobs



**HARD CASE | P. 87**

CDX-30 X-LITE (24", unfolded)



**HARD CASE | P. 87**

CDX-300/33 X-LITE (30", folded)



**CADEX TRIPOD LITE | P. 101**



**MODULAR RED DOT MOUNT (30mm)**

P. 85



RMR pattern

**CADEX TRUCKER CAP**

P. 155



# THE RIGHT TOOL FOR THE RIGHT APPLICATION

**WILD GAME HUNTING**



- **CDX-R7 CRBN** (P. 12-13)
- **CDX-R7 SPTR** (P. 14-15)

**RECREATIONAL SHOOTING**



- **CDX-R7 SHP** (P. 16-17)
- **X-LITE SERIES** (P. 30-31)
- **CDX-BMG QUAKE** (P. 38-39)

**PRS & LR COMPETITION**



- **CDX-R7 LCP** (P. 20-21)
- **CDX-R7 FCP** (P. 22-23)
- **CDX-SS SEVEN S.T.A.R.S. PRO** (P. 24-25)

**TACTICAL & MIL/LE GRADE**



- **CDX-R7 XS** (P. 18-19)
- **CDX-SS SEVEN S.T.A.R.S. COVERT** (P. 26-27)
- **CDX-30/300/33 LITE** (P. 32-33)
- **CDX-30/300/33 TAC** (P. 34-35)

**EXTREME RANGE & ANTI-MATERIEL**



- **CDX-40 SHDW** (P. 36-37)
- **CDX-50 TREMOR®** (P. 40-41)
- **CDX-X60** (P. 42-43)

**ELR COMPETITION**



- **CDX-40SS** (Single Shot) (P. 44)
- **CDX-50SS** (Single Shot) (P. 44)

**MULTI-CALIBER SYSTEM**



- **CDX-MC KRAKEN®** (P. 28-29)

# CDX-R7 SERIES MODULARITY

## BIG GAME HUNTING



CDX-R7 CRBN



CDX-R7 SPTR



## PRS COMPETITION



CDX-R7 FCP



CDX-R7 LCP

Folding stock



# CDX-R7 SERIES MODULARITY

## PRS COMPETITION



CDX-R7 SHP



CDX-R7 PRO (Special request only)

Folding stock



## LAW ENFORCEMENT



Folding stock

CDX-R7 COVERT (Special request only)



Folding stock



# CDX-R7 CRBN (CARBON)



After spending years perfecting our multiple tactical and long range platforms, it was time for Cadex to diversify its selection. This is why we added two rifles oriented towards the performance hunter.

The CDX-R7 CRBN rifle is designed with back country hunters in mind. Unlike other manufacturers out there aiming at the absolute lightest materials available, Cadex oriented this rifle towards a perfect balance between weight reduction and no compromise on stability. We equipped the CDX-R7 CRBN model with the best carbon fiber barrel on the market: Bartlein®.

If you are looking for a reliable hunting rifle of a superior craftsmanship, fit and finish than what is offered from mass production gun makers, the CDX-R7 CRBN is what you've been searching for.



Model	Caliber	Barrel length	Twist rate	Rifling	Magazine capacity*
CDX-R7 CRBN SA (short action)	6.5 Creedmoor	24"	1:8	5R	5
	6.5 PRC	24"	1:8	5R	3
	308 Win	24"	1:10	5R	5
	270 WSM	24"	1:9	5R	3
CDX-R7 CRBN LA (long action)	300 WSM	24"	1:10	5R	3
	270 Win	24"	1:9	5R	5
	7 PRC	24"	1:8	5R	5
	28 Nosler	26"	1:9	5R	5
	300 Win Mag	26"	1:10	5R	5
	300 PRC	26"	1:8	5R	5
	300 RUM	26"	1:8	5R	5
	338 Lapua Mag	26"	1:9½	5R	5

See the complete spec sheet P. 147 \*Higher capacity magazines sold separately

## BARREL

- Bartlein® carbon fiber match grade barrel (stainless steel inner core).
- Semi-bull barrel profile with single point cut rifling technology for stable cold bore shot and premium precision.
- 5/8-24 threaded muzzle with hunting style muzzle brake installed.

## CHASSIS

- Tundra Strike synthetic Monte-Carlo rifle stock with aluminum bedding blocks.
- Rubberized inserts at grip and fore-end locations for better handling.
- Comfortable high density neoprene cheek pad.
- Complete rifle stock features (P. 46-47).

## ACTION

- 416 stainless steel, 1.350" custom grade bolt action repeater (Rem 700 footprint).
- DLC coated 4 lug fluted bolt with ultra-fast 50° short bolt throw.
- Interchangeable pinned top rail in 0 MOA (aluminum), 20 or 30 MOA (stainless steel).
- Standard low profile hunting knob.
- ¼ turn tool-free bolt disassembly for an easy access to the firing pin.
- Rem style safety lever.

## COLORS

- Cerakote non-reflective coating.
- See all colors available (P. 6-7).

## MORE SPECIFICATIONS

- Selectable single/two stage DX2 EVO trigger with position adjustable trigger shoe (P. 78).
- AICS magazine compatible, short and long action (P. 80).
- Hunting hard case included (P. 86-87).
- Hunting style muzzle brake included
- Accessories table (P. 66).
- Action specifications (P. 71).
- Actions table (P. 148).



\*Riflescope and scope mount sold separately

## COMPATIBLE OPTIONAL ACCESSORIES



## HUNTING HARD CASE INCLUDED



Hunting hard case (More details on pages 86-87)

# CDX-R7 SPTR (SPORTER)



Model	Caliber	Barrel length	Twist rate	Rifling	Magazine capacity*
CDX-R7 SPTR SA (short action)	6.5 Creedmoor	24"	1:8	5R	5
	6.5 PRC	24"	1:8	5R	3
	308 Win	20" / 24"	1:10	5R	5
	270 WSM	24"	1:9	5R	3
	300 WSM	24"	1:10	5R	3
CDX-R7 SPTR LA (long action)	270 Win	24"	1:9	5R	5
	30-06 SPRG	24"	1:10	5R	5
	7 PRC	24"	1:8	5R	5
	28 Nosler	26"	1:9	5R	5
	300 Win Mag	26"	1:10	5R	5
	300 PRC	26"	1:8	5R	5
300 RUM	26"	1:8	5R	5	
338 Lapua Mag	26"	1:9½	5R	5	

See the complete spec sheet P. 152 \*Higher capacity magazines sold separately

## BARREL

- Cadex sporter profiled stainless steel barrel or optional Bartlein® barrel.
- Longitudinal barrel flutes for weight reduction, rigidity, faster cooling and nicer look.
- 5/8-24 threaded muzzle with hunting style muzzle brake installed.

## CHASSIS

- Tundra Strike synthetic Monte-Carlo rifle stock with aluminum bedding blocks.
- Rubberized inserts at grip and fore-end locations for better handling.
- Comfortable high density neoprene cheek pad.
- Complete rifle stock features (P. 46-47).

After spending years perfecting our multiple tactical and long range platforms, it was time for Cadex to diversify its selection. This is why we added two rifles oriented towards the performance hunter.

Not everyone is a firm believer in carbon fiber barrels. Some people are more conservative and they prefer a traditional stainless steel barrel. For this reason, we designed the CDX-R7 SPTR, a variant equipped with a sporter profiled stainless steel barrel.

We added some longitudinal flutes for weight reduction, faster cooling and nicer look. The CDX-R7 SPTR shares the same features as the CDX-R7 CRBN except the barrel type, which makes it more affordable.

If you are looking for a reliable hunting rifle of a superior craftsmanship, fit and finish than what is offered from mass production gun makers, the CDX-R7 SPTR is what you've been searching for.



## ACTION

- 416 stainless steel, 1.350" custom grade bolt action repeater (Rem 700 footprint).
- DLC coated 4 lug fluted bolt with ultra-fast 50° short bolt throw.
- Interchangeable pinned top rail in 0 MOA (aluminum), 20 or 30 MOA (stainless steel).
- Standard low profile hunting knob.
- ¼ turn tool-free bolt disassembly for an easy access to the firing pin.
- Rem style safety lever.

## COLORS

- Cerakote non-reflective coating.
- See all colors available (P. 6-7).

## MORE SPECIFICATIONS

- Selectable single/two stage DX2 EVO trigger with position adjustable trigger shoe (P. 73).
- AICS magazine compatible, short and long action (P. 75).
- Hunting hard case included (P. 81-82).
- Hunting style muzzle brake included
- Accessories table (P. 66).
- Action specifications (P. 66).
- Actions table (P. 143).



\*Riflescope and scope mount sold separately

## COMPATIBLE OPTIONAL ACCESSORIES



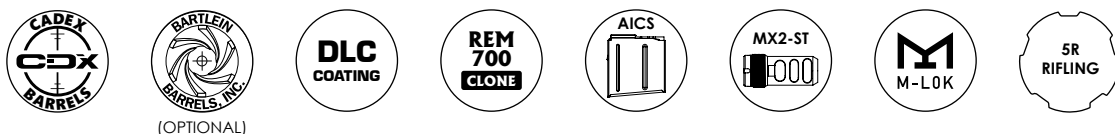
## HUNTING HARD CASE INCLUDED



Hunting hard case  
(More details on pages 81-82)

# CDX-R7 SHP SERIES

The CDX-R7 SHP Series are precision rifles designed for shooters who prefer a traditional style stock to chassis systems. These rifles feature Cadex's fully adjustable synthetic stock called the Strike Nuke Evo. The ergonomics of this stock are a great blend between the stability offered by tactical stocks and lightweight hunting stocks. This stock features a built-in aluminum micro-chassis system for improved accuracy. This rifle out of the box will compete with any custom gun.



Model	Caliber	Barrel length	Twist rate	Rifling	Magazine capacity
CDX-R7 SHP SA (short action)	6 Creedmoor*	26"	1:7½	5R	10
	6.5 Creedmoor*	16.5" / 20" / 24" / 26"	1:8	5R	10
	6.5 PRC*	24" / 26"	1:8	5R	7
	308 Win*	(16.5") / 20" / 24" / 26"	(1:10) / 1:11¼	5R	10
CDX-R7 SHP LA (long action)	300 WSM*	24"	1:10	5R	7
	7 PRC	26"	1:8	5R	5
	300 Win Mag	26"	1:10	5R	5
	300 PRC	26"	1:8	5R	5
	300 Norma Mag	26"	1:8	5R	5
	338 Lapua Mag	27"	1:9½	5R	5

See the complete spec sheet P. 148 \*Available in left handed with TriggerTech® primary trigger

## BARREL

- Cadex 1.238" straight taper fluted match grade button rifling barrel.
- Optional Bartlein® single point cut rifling fluted barrel also available on special request.
- Easy and unique do-it-yourself rebarreling system.
- Threaded muzzle for muzzle brake installation (MX2-ST included).

## CHASSIS

- Strike Nuke Evo with built-in aluminum micro-chassis technology (no bedding required).
- M-LOK fore-end.
- Optional NVD rail system available.
- Complete rifle stock features (P. 48-49).

## ACTION

- 416 stainless steel, 1.350" custom grade bolt action repeater (Rem 700 footprint).
- DLC coated 4 lug fluted bolt with ultra-fast 50° short bolt throw.
- Interchangeable pinned top rail in 0, 20 or 30 MOA (stainless steel).
- New round and tactical interchangeable bolt knobs. **NEW**
- ¼ turn tool-free bolt disassembly for an easy access to the firing pin.
- Rem style safety lever.

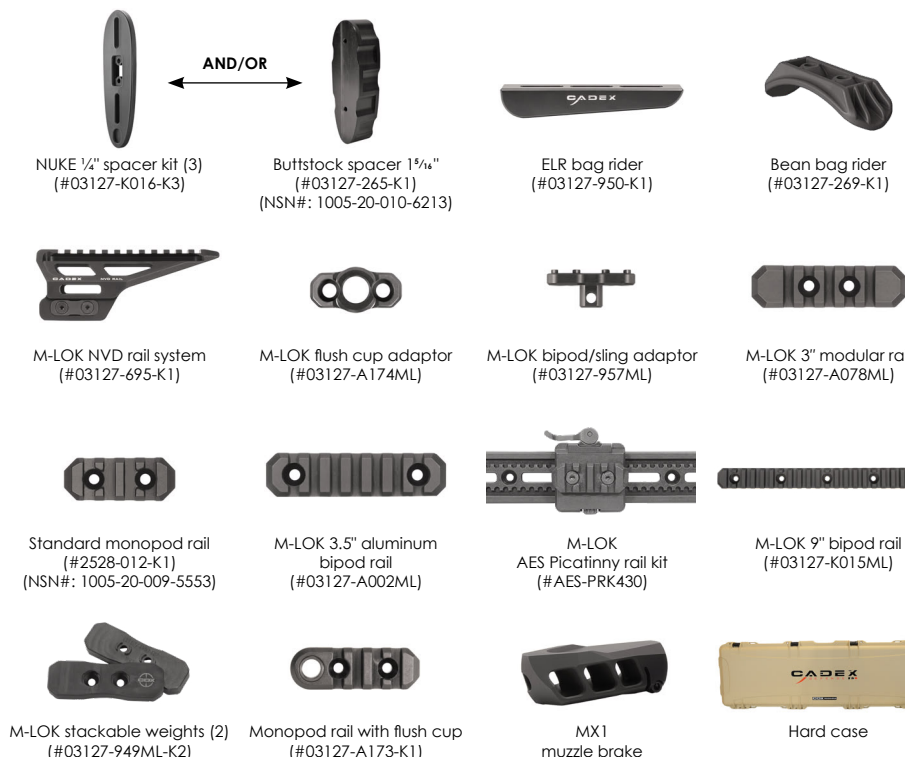
## COLORS

- Cerakote non-reflective coating. • See all colors available (P. 6-7).

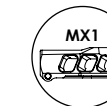
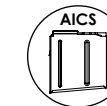
## MORE SPECIFICATIONS

- Includes one spacer (1/4").
- Selectable single/two stage DX2 EVO trigger with position adjustable trigger shoe (P. 78).
- AICS magazine compatible, short and long action (P. 80).
- MX2-ST Tactical muzzle brake included (P. 91). (optional MX1 muzzle brake sold separately).
- Accessories table (P. 66).
- Action specifications (P. 71).
- Actions table (P. 148).

## COMPATIBLE OPTIONAL ACCESSORIES



# CDX-R7 XS



The CDX-R7 XS is the latest evolution of our long range shooting platforms. It incorporates most features requested by positional shooting competitors without sacrificing any features an operator needs during field operations. This rifle is equipped with our most recent chassis design; a one-piece lower receiver and fore-end tube carved out of a solid aluminum billet. The fore-end tube features 11 side and 9 bottom M-LOK slots, was lengthened to 15.5" and was reinforced at critical areas making it our most rigid chassis yet. An optional extra-long NVD bridge is available for a perfect alignment of thermal imaging, night vision devices, Nighforce® prism or "ballistic periscopes" such as the Charlie Tarac®. This rifle is also equipped with our PRO tool-free fully adjustable and foldable buttstock. If you are looking for a rifle capable of doing all types of shooting, such as prone, tripod or even building roof top, the CDX-R7 XS will fulfill your needs.



Optional 20 MOA XS NVD bridge available

Model	Caliber	Barrel length	Twist rate	Rifling	Magazine capacity
CDX-R7 XS SA (short action)	6.5 Creedmoor	26"	1:8	5R	10
	6.5 PRC	26"	1:8	5R	7
	308 Win	26"	1:10	5R	10
CDX-R7 XS LA (long action)	7 PRC	26"	1:8	5R	5
	300 Win Mag	26"	1:10	5R	5
	300 PRC	26"	1:8	5R	5
	300 Norma Mag	26"	1:8	5R	5
	338 Lapua Mag	27"	1:9½	5R	5

See the complete spec sheet P. 147

## BARREL

- Bartlein® 1.238" straight taper fluted match grade barrel with 5R single point cut rifling technology.
- Easy and unique do-it-yourself rebarreling system.
- Threaded muzzle for muzzle brake installation (MX1 included).

## CHASSIS

- PRO tool-free fully adjustable buttstock and neoprene cheek pad.
- Rock solid reverse folding stock mechanism with free-play adjustable hinge system to remove loosening that may develop over time.
- Extra-long M-LOK fore-end compatible with an infinite selection of M-LOK accessories.
- Optional 20 MOA full length XS NVD bridge available.
- Complete rifle stock features (P. 47-48).

## ACTION

- 416 stainless steel, 1.350" custom grade bolt action repeater (Rem 700 footprint).
- DLC coated 4 lug fluted bolt with ultra-fast 50° bolt throw.
- 20 MOA stainless top rail with unique localization system.
- Fast dismantle firing pin using the supplied tool.
- New round and tactical interchangeable bolt knobs. **NEW**
- Rem style safety lever.

## COLORS

- Cerakote non-reflective coating.
- See all colors available (P. 6-7).

## MORE SPECIFICATIONS

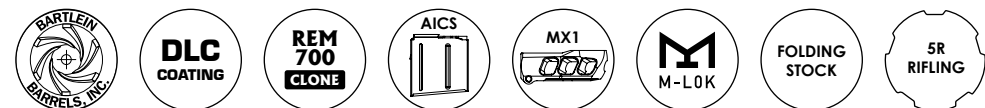
- Selectable single/two stage DX2 EVO trigger with position adjustable trigger shoe (P. 73).
- AICS magazine compatible, short and long action (P. 75).
- MX1 muzzle brake included (P. 85) (optional MX2-ST Tactical muzzle brake sold separately).
- Accessories table (P. 66).
- Action specifications (P. 66).
- Actions table (P. 143).

## COMPATIBLE OPTIONAL ACCESSORIES



# CDX-R7 LCP SERIES

The CDX-R7 LCP Series includes all features required by the most demanding PRS competitive shooters. Its folding stock mechanism is a charm when it comes to cleaning and transport. The lightning fast R7 action with its 4 lug 50° bolt throw is a must to save time on PRS stages. Based on a Rem 700 footprint and combined with a medium contour Bartlein® Single Point Cut match grade fluted barrel for optimum performance. Compatible with M-LOK accessories.



Model	Caliber	Barrel length	Twist rate	Rifling	Magazine capacity
CDX-R7 LCP SA (short action)	6 Creedmoor*	26"	1:7½	5R	10
	6.5 Creedmoor*	24" / 26"	1:8	5R	10
	6.5 PRC*	24" / 26"	1:8	5R	7
	308 Win*	20" / 24" / 26"	1:11¼	5R	10
CDX-R7 LCP LA (long action)	300 WSM*	24"	1:10	5R	7
	7 PRC	26"	1:8	5R	5
	300 Win Mag	26"	1:10	5R	5
	300 PRC	26"	1:8	5R	5
	300 Norma Mag	26"	1:8	5R	5
	338 Lapua Mag	27"	1:9½	5R	5

See the complete spec sheet P. 153 \*Available in left handed with TriggerTech® primary trigger

## BARREL

- Bartlein® 1.238" straight taper fluted match grade barrel with 5R single point cut rifling technology.
- Easy and unique do-it-yourself rebarreling system.
- Threaded muzzle for muzzle brake installation (MX1 included).

## CHASSIS

- Lite Competition chassis (LCP) with skeleton folding stock.
- M-LOK full length competition fore-end tube with mirage mitigation technology.
- New lateral adjustment cheek piece. ◀NEW
- Complete rifle stock features (P. 58-59).

## ACTION

- 416 stainless steel, 1.350" custom grade bolt action repeater (Rem 700 footprint).
- DLC coated 4 lug fluted bolt with ultra-fast 50° short bolt throw.
- Interchangeable pinned top rail in 0, 20 or 30 MOA (stainless steel).
- New round and tactical interchangeable bolt knobs. ◀NEW
- ¼ turn tool-free bolt disassembly for an easy access to the firing pin.
- Rem style safety lever.

## COLORS

- Cerakote non-reflective coating.
- See all colors available (P. 6-7).

## MORE SPECIFICATIONS

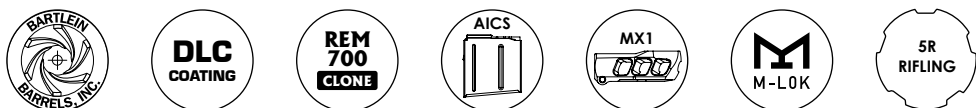
- Selectable single/two stage DX2 EVO trigger with position adjustable trigger shoe (P. 78).
- AICS magazine compatible, short and long action (P. 80).
- MX1 muzzle brake included (P. 90) (optional MX2-ST Tactical muzzle brake sold separately).
- Accessories table (P. 66).
- Action specifications (P. 71).
- Actions table (P. 148).

## COMPATIBLE OPTIONAL ACCESSORIES



# CDX-R7 FCP SERIES

The CDX-R7 FCP Series includes most features of the CDX-R7 LCP Series model but in a fixed stock variant. The CDX-R7 FCP Series is the best bang for your buck. Compatible with M-LOK accessories.



Model	Caliber	Barrel length	Twist rate	Rifling	Magazine capacity
CDX-R7 FCP SA (short action)	6 Creedmoor*	26"	1:7½	5R	10
	6.5 Creedmoor*	24" / 26"	1:8	5R	10
	6.5 PRC*	24" / 26"	1:8	5R	7
	308 Win*	20" / 24" / 26"	1:11¼	5R	10
CDX-R7 FCP LA (long action)	300 WSM*	24"	1:10	5R	7
	7 PRC	26"	1:8	5R	5
	300 Win Mag	26"	1:10	5R	5
	300 PRC	26"	1:8	5R	5
	300 Norma Mag	26"	1:8	5R	5
	338 Lapua Mag	27"	1:9½	5R	5

See the complete spec sheet P. 153 \*Available in left handed with TriggerTech® primary trigger

## BARREL

- Bartlein® 1.238" straight taper fluted match grade barrel with 5R single point cut rifling technology.
- Easy and unique do-it-yourself rebarreling system.
- Threaded muzzle for muzzle brake installation (MX1 included).

## CHASSIS

- Field Competition chassis (FCP) with skeleton fixed stock.
- M-LOK full length competition fore-end tube with mirage mitigation technology.
- New lateral adjustment cheek piece. ◀NEW
- Complete rifle stock features (P. 60-61).

## ACTION

- 416 stainless steel, 1.350" custom grade bolt action repeater (Rem 700 footprint).
- DLC coated 4 lug fluted bolt with ultra-fast 50° short bolt throw.
- Interchangeable pinned top rail in 0, 20 or 30 MOA (stainless steel).
- New round and tactical interchangeable bolt knobs. ◀NEW
- ¼ turn tool-free bolt disassembly for an easy access to the firing pin.
- Rem style safety lever.

## COLORS

- Cerakote non-reflective coating.
- See all colors available (P. 6-7).

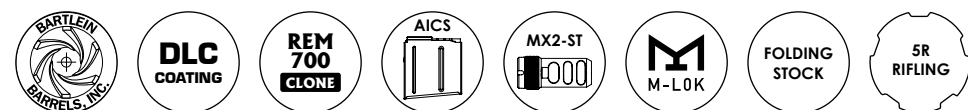
## MORE SPECIFICATIONS

- Selectable single/two stage DX2 EVO trigger with position adjustable trigger shoe (P. 78).
- AICS magazine compatible, short and long action (P. 80).
- MX1 muzzle brake included (P. 90) (optional MX2-ST Tactical muzzle brake sold separately).
- Accessories table (P. 66).
- Action specifications (P. 71).
- Actions table (P. 148).

## COMPATIBLE OPTIONAL ACCESSORIES



# CDX-SS SEVEN S.T.A.R.S. PRO



Model	Caliber	Barrel length	Twist rate	Rifling	Magazine capacity
CDX-SS SEVEN S.T.A.R.S. PRO	223 Rem	26"	1:8"	5R	10
	6 BR Norma	26"	1:7½"	5R	12
	6 Dasher	26"	1:7½"	5R	12
	6 Creedmoor	26"	1:7½"	5R	10
	6.5x47 Lapua	26"	1:8"	5R	10
	6.5 Creedmoor	26"	1:8"	5R	10
	308 Win	26"	1:10"	5R	10

See the complete spec sheet P. 146

## CHASSIS

- PRO tool-free fully adjustable buttstock and neoprene cheek pad.
- Rock solid reverse folding stock mechanism with free-play adjustable hinge system to remove loosening that may develop over time.
- Adjustable forward/rearward trigger guard with rubberized vertical grip.
- Polymer funnel magwell for faster mag change.
- Ambidextrous extended magazine latch with fine-tunable height feature for optimized cartridge feeding.
- Ultra rigid one-piece lower receiver and fore-end, with 17" long built-in Arca Elite System (AES), barricade stop and 10 M-LOK mounting slots at 3, 6 and 9 o'clock.
- Minimum flex fore-end, capable to secure up to 5.8 lb of optional weights, for minimized recoil, optimum balance and rigidity.
- Compatible with an infinite selection of M-LOK and aftermarket competition accessories.
- Thumb rest included.
- Complete rifle stock features (P. 45-46).

The CDX-SS SEVEN S.T.A.R.S. PRO is intended for PRS shooting. It is the ultimate rifle for professional shooters aiming for the championship, as much as for persevering amateurs dreaming of podiums at regional matches. The CDX-SS PRO combines the SEVEN S.T.A.R.S. (Sport and Tactical Application Rifle System) action with the STRIKE PRO chassis and legendary Bartlein® 5R single point cut technology barrel. The CDX-SS SEVEN S.T.A.R.S. PRO delivers amazing accuracy right out of the box and is packed with all features needed for positional shooting games where every second matters. Engineered to reliably ignite small and large rifle primers, it is available in most top performing Open and Tactical class short action calibers as well as in 223 Rem for affordable training.

This competition rifle features a 17" long built-in Arca Elite System (AES) rail, 10 M-LOK mounting slots at 3, 6 and 9 o'clock, a barricade stop, the PRO folding tool-free adjustable rear stock, a multi-position adjustable trigger guard, tunable height ambidextrous extended magazine latch and rubberized vertical grip. Popular optional items such as M-LOK weights, full length night vision bridge and PRO handguard can be purchased separately.

## BARREL

- Bartlein® stainless 1.238" straight taper fluted match grade barrel with 5R single point cut rifling technology.
- Easy and unique do-it-yourself rebarreling system.
- Threaded muzzle for muzzle brake installation (MX2-ST included).

## ACTION

- 416 stainless steel, 1.350" custom grade bolt action repeater (Rem 700 footprint).
- DLC coated 3 lug fluted bolt with fast 60° bolt throw.
- 20 MOA stainless top rail with unique localization system.
- New round and tactical interchangeable bolt knobs. **NEW**
- Fast dismantle firing pin using the supplied tool.
- Rem style safety lever.

## COLORS

- Cerakote non-reflective coating.
- See all colors available (P. 6-7).

## MORE SPECIFICATIONS

- Selectable single/two stage DX2 EVO trigger with position adjustable straight trigger shoe (P. 73).
- AICS magazine compatible, short action only (P. 75).
- MX2-ST Tactical muzzle brake included (P. 86). (optional MX1 muzzle brake sold separately).
- Accessories table (P. 66).
- Action specifications (P. 65).
- Actions table (P. 143).

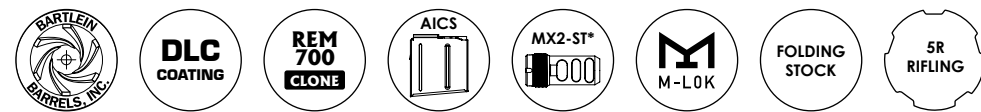
# BORN TO WIN

## COMPATIBLE OPTIONAL ACCESSORIES



# CDX-SS SEVEN S.T.A.R.S. COVERT

The CDX-SS SEVEN S.T.A.R.S. COVERT is a compact rifle similar to the former CDX-R7 CPS. They both achieve the same purpose, which is concealability for short/medium distances target engagement. This rifle combines an ultra-short 11" fluted barrel with a Covert Slim Titanium Suppressor small enough to fit within the chassis M-LOK fore-end tube. This fore-end tube is shorter than on other Cadex rifles while still maintaining a fully functional 19" Picatinny top rail for optics and night vision device mounting. It features the folding buttstock of the Strike PRO chassis which allows for fast tool-free stock adjustments. Cadex also offers a version equipped with 16.5" barrels in order to comply with the 26" minimum overall length regulations in many countries.



\*MX2-ST is not compatible on Covert 11" model

Model	Caliber	Barrel length	Twist rate	Rifling	Magazine capacity
CDX-SS SEVEN S.T.A.R.S. COVERT	223 Rem	11" * / 16.5" / 26"	1:8"	5R	10
	300 Blackout	11" * / 16.5"	1:8"	5R	10
	6.5 Creedmoor	16.5" / 26"	1:8"	5R	10
	308 Win	16.5" / 26"	1:10"	5R	10

See the complete spec sheet P. 151

\*11" variant for MIL/LE sales only

## BARREL

- Bartlein® stainless 1.238" straight taper fluted match grade barrel with 5R single point cut rifling technology.
- Covert 11" barrel variant folds under 25" length (without muzzle brake included) while 16.5" model folds under 29" (with muzzle brake included).
- Covert 11" variant requires the covert slim titanium suppressor (#6426-A023).

## CHASSIS

- PRO tool-free fully adjustable buttstock and neoprene cheek pad.
- Rock solid reverse folding stock mechanism with free-play adjustable hinge system to remove loosening that may develop over time.
- 20 MOA full length top rail with unique localization system.
- Short M-LOK fore-end with Picatinny rails at 3, 6 and 9 o'clock. M-LOK flush cup adaptor included.
- Compatible with an infinite selection of M-LOK accessories.

## ACTION

- 416 stainless steel, 1.350" custom grade bolt action repeater (Rem 700 footprint).
- DLC coated 3 lug fluted bolt with fast 60° bolt throw.
- New round and tactical interchangeable bolt knobs. **NEW**
- Fast dismantle firing pin using the supplied tool.
- Rem style safety lever.

## COLORS

- Cerakote non-reflective coating.
- See all colors available (P. 6-7).

## MORE SPECIFICATIONS

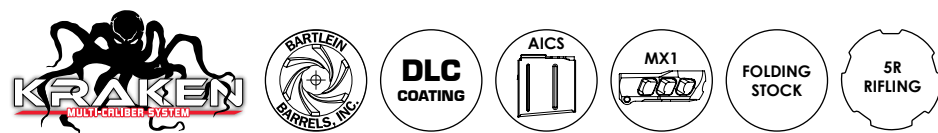
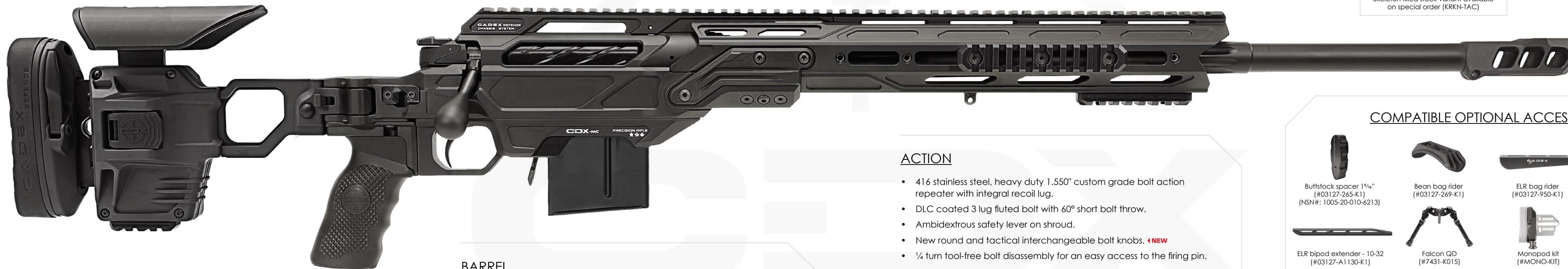
- Selectable single/two stage DX2 EVO trigger with position adjustable trigger shoe (P. 78).
- AICS magazine compatible, short action only (P. 80).
- MX2-ST Tactical muzzle brake included on 16.5" variant (P. 91).
- Accessories table (P. 66).
- Action specifications (P. 70).
- Actions table (P. 148).

## COMPATIBLE OPTIONAL ACCESSORIES



# CDX-MC KRAKEN®

## PATENTED MULTI-CALIBER SYSTEM



Caliber	Barrel length	Twist rate	Rifling	Magazine capacity	Bolt face
6 Creedmoor	26"	1:7½	5R	10	B
6.5 Creedmoor	16.5" / 20" / 24" / 26"	1:8	5R	10	B
308 Win	(16.5") / 20" / 24" / 26"	(1:10) / 1:11¼	5R	10	B
7 PRC	26"	1:8	5R	5	C
300 Win Mag	26"	1:10	5R	5	C
300 PRC	26"	1:8	5R	5	C
300 RUM	26"	1:8	5R	5	C
300 Norma Mag	26" / 32"	1:8	5R	5	D
338 Lapua Mag	27" / 32"	1:9½	5R	5	D

See the complete spec sheet P. 149 NSN#: 1005-20-011-8160 (for CDXMC-KRKN-338-27)

### BARREL

- Bartlein® 1.300" straight taper fluted match grade barrel with 5R single point cut rifling technology.
- Unique barrel tenon design with machined grooves to work in conjunction with the Kraken® tooling kit.
- Easy and unique do-it-yourself rebarreling system.
- Threaded muzzle for muzzle brake installation (MX1 included).
- Optional ¾-20 threads with suppressor band for use with a Cadex slip-on suppressor.

### CHASSIS

- Proprietary Kraken® chassis system with folding stock (skeleton fixed stock variant available).
- Skeleton folding stock variant available.
- Interchangeable 20, 30 or 45 MOA full length top rail.
- New lateral adjustment cheek piece. **NEW**
- Complete rifle stock features (P. 54-55).

### COLORS

- Cerakote non-reflective coating.
- See all colors available (P. 6-7).

The CDX-MC KRAKEN®, is a multi-caliber rifle using an innovative patented barrel change system. This multi-caliber system features the lowest shift of point of impact (0.1 mil) between takedown and reassembly of the same barrel on the market. Cadex CDX-MC uses a traditional barrel to action threading system while incorporating a special tool designed to unscrew and torque its barrel from the breech side. A single screw secures the chassis detachable base for a fast conversion between short and long action calibers. Maintaining the same P.O.I. is critical at extreme range and the KRAKEN® surpasses any other multi-caliber system on the market. Add your P.O.I. off sets between each barrels in your ballistics software and you'll never have to reconfirm a zero again!



Skeleton fixed stock variant available on special order (KRKN-TAC)



### ACTION

- 416 stainless steel, heavy duty 1.550" custom grade bolt action repeater with integral recoil lug.
- DLC coated 3 lug fluted bolt with 60° short bolt throw.
- Ambidextrous safety lever on shroud.
- New round and tactical interchangeable bolt knobs. **NEW**
- ¼ turn tool-free bolt disassembly for an easy access to the firing pin.

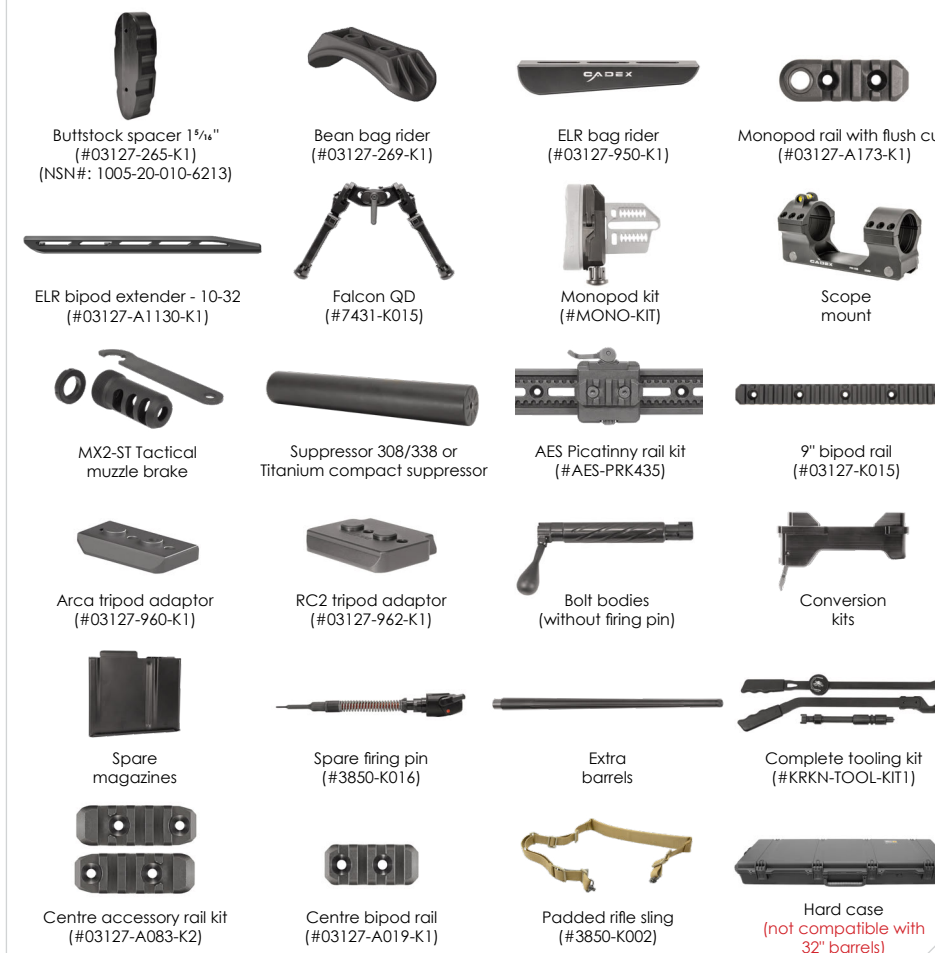
### MULTI-CALIBER SYSTEM

- Easy access to the conversion kit and trigger group by taking down one single captive screw.
- Quick caliber change (2 to 3 minutes) with virtually no shift of point of impact (<0.1 mil) on the same barrel.
- Multi-caliber system with the lowest shift of P.O.I. on the market.
- Multiple caliber group bolts: Type B (.480"), C (.550") or D (.600").

### MORE SPECIFICATIONS

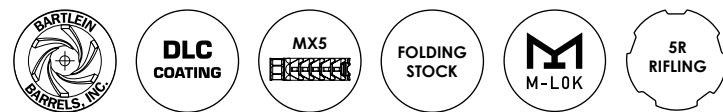
- Selectable single/two stage DX2 EVO trigger with position adjustable trigger shoe (P. 78).
- AICS magazine compatible, short and long action (P. 80).
- MX1 muzzle brake included (P. 90) (optional MX2-ST Tactical muzzle brake sold separately).
- Accessories table (P. 66).
- Action specifications (P. 74).
- Actions table (P. 148).

### COMPATIBLE OPTIONAL ACCESSORIES



# X-LITE SERIES

The new X-LITE SERIES was meticulously designed with a singular mission in mind: to be the most visually stunning rifle Cadex has crafted in the last decade. As you know, Cadex has built its reputation on creating firearms with distinctive aesthetics and an unmatched appearance and this model continues that legacy.



Model	Caliber	Barrel length	Twist rate	Rifling	Magazine capacity
CDX-30 X-LITE	6.5 Creedmoor	24"	1:8	5R	10
	<b>NEW</b> 6.5 PRC	24"	1:8	5R	7
	308 Win	24"	1:10	5R	10
<b>NEW</b> CDX-300 X-LITE	300 PRC	30"	1:8	5R	5
<b>NEW</b> CDX-33 X-LITE	300 Norma Mag	30"	1:8	5R	5
	338 Lapua Mag	30"	1:9½	5R	5

See the complete spec sheet P. 150

## BARREL

- Bartlein 1.300" straight Carbon fiber match grade barrel with single point cut rifling technology.
- Short action 24" and long action 30" barrel with 5R single point cut rifling technology.
- New MX5 muzzle brake ensuring impressive performance and a striking design.

## CHASSIS

- New skeletonized Strike XS chassis platform built from a rock solid single piece aircraft grade aluminum billet.
- Reverse folding stock mechanism with free-play adjustable hinge system to remove loosening that may develop over time.
- PRO tool-free fully adjustable buttstock and neoprene cheek pad.
- M-LOK fore-end tube capable to adapt various Picatinny rails and accessories.
- Compatible with an infinite selection of M-LOK and aftermarket competition accessories.

## ACTION

- New skeletonized CDX-30 heavy duty 1.550" custom grade bolt action repeater, made from 416 stainless steel.
- DLC coated 3 lug fluted bolt with ultra-smooth 60° short bolt throw.
- Custom honey stick style bolt knob.
- ¼ turn tool-free bolt disassembly for an easy access to the firing pin.
- Ambidextrous safety lever on shroud.
- Custom Black DX2 Evo single/double stage convertible trigger (not compatible with Remington safety/bolt release).
- Equipped with a straight trigger shoe.

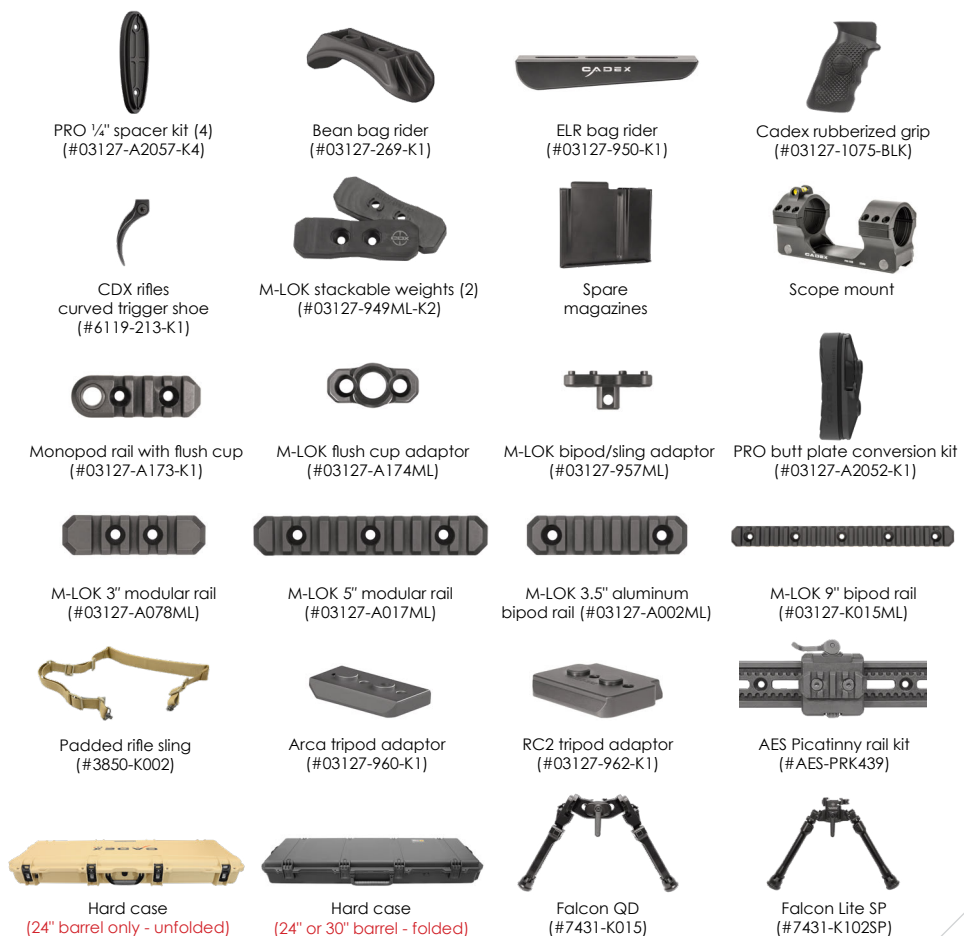
## COLORS

- Cerakote color-shifting metallic coating.
- Currently available in FX Hunter Orange and FX Gold.
- Contact Cadex customer service team or visit our website for the latest available colors.

## MORE SPECIFICATIONS

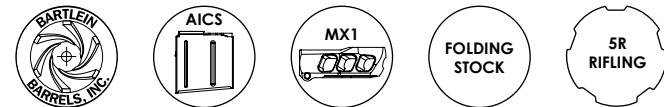
- Accessories table (P. 66).
- Action specifications (P. 72).
- Actions table (P. 148).

## COMPATIBLE OPTIONAL ACCESSORIES



# CDX-LITE SERIES

The CDX-30 LITE, CDX-300 LITE and CDX-33 LITE precision rifles combine all mandatory features that an operator needs in the field. Nothing is left to chance and every detail has been designed to offer the best long range sub-minute sniper system on the market. The CDX-LITE precision rifles will be your most reliable partner. Often imitated but never equaled. One shot, one kill... Then extract safely.



Model	Caliber	Barrel length	Twist rate	Rifling	Magazine capacity
CDX-30 LITE	6 Creedmoor	26"	1:7½	5R	10
	6.5 Creedmoor	24" / 26"	1:8	5R	10
	6.5 PRC	24" / 26"	1:8	5R	7
	308 Win	20" / 24" / 26"	1:11¼	5R	10
CDX-300 LITE	300 Win Mag	26"	1:10	5R	5
	300 PRC	26"	1:8	5R	5
	300 RUM	26"	1:8	5R	5
CDX-33 LITE	300 Norma Mag	26" / 32"	1:8	5R	5
	338 Lapua Mag	27" / 32"	1:9½	5R	5

## BARREL

- Bartlein® 1.300" straight taper fluted match grade barrel with 5R single point cut rifling technology.
- Easy and unique do-it-yourself rebarreling system.
- Threaded muzzle for muzzle brake installation (MX1 included).
- Optional ¾-20 threads with suppressor band for use with a Cadex slip-on suppressor.

## CHASSIS

- Lite Strike chassis system with folding stock.
- Skeleton folding stock variant available.
- Interchangeable 20, 30 or 45 MOA full length top rail.
- Mirage mitigation technology fore-end tube.
- New lateral adjustment cheek piece. **NEW**
- Complete rifle stock features (P. 56-57).

## ACTION

- 416 stainless steel, heavy duty 1.550" custom grade bolt action repeater.
- DLC coated 3 lug fluted bolt with ultra-smooth 60° short bolt throw.
- Ambidextrous safety lever on shroud.
- New round and tactical interchangeable bolt knobs. **NEW**
- ¼ turn tool-free bolt disassembly for an easy access to the firing pin.

## COLORS

- Cerakote non-reflective coating.
- See all colors available (P. 6-7).

## MORE SPECIFICATIONS

- Selectable single/two stage DX2 EVO trigger with position adjustable trigger shoe (P. 78).
- AICS magazine compatible, short and long action (P. 80).
- MX1 muzzle brake included (P. 90) (optional MX2-ST Tactical muzzle brake sold separately).
- Accessories table (P. 66).
- Action specifications (P. 72).
- Actions table (P. 148).

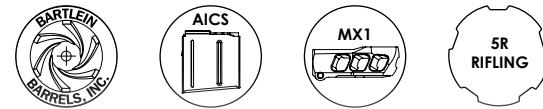
## COMPATIBLE OPTIONAL ACCESSORIES



See the complete spec sheet P. 150 NSN#: 1005-20-014-2871 (for CDX33-LITE-338-26-TAN)

# CDX-TAC SERIES

The CDX-30 TAC, CDX-300 TAC and CDX-33 TAC precision rifles are cost efficient solutions for law enforcement agencies or the civilian market that do not see an advantage in a folding stock mechanism. Same reliability and accuracy combined into a well-proven package at a fraction of the cost.



Model	Caliber	Barrel length	Twist rate	Rifling	Magazine capacity
CDX-30 TAC	6 Creedmoor	26"	1:7½	5R	10
	6.5 Creedmoor	24" / 26"	1:8	5R	10
	6.5 PRC	24" / 26"	1:8	5R	7
	308 Win	20" / 24" / 26"	1:11¼	5R	10
CDX-300 TAC	300 Win Mag	26"	1:10	5R	5
	300 PRC	26"	1:8	5R	5
	300 RUM	26"	1:8	5R	5
CDX-33 TAC	300 Norma Mag	26" / 32"	1:8	5R	5
	338 Lapua Mag	27" / 32"	1:9½	5R	5

See the complete spec sheet P. 150

## BARREL

- Bartlein® 1.300" straight taper fluted match grade barrel with 5R single point cut rifling technology.
- Easy and unique do-it-yourself rebarreling system.
- Threaded muzzle for muzzle brake installation (MX1 included).
- Optional ¾-20 threads with suppressor band for use with a Cadex slip-on suppressor.

## CHASSIS

- Field Tactical chassis system with fixed stock.
- Interchangeable 20, 30 or 45 MOA full length top rail.
- Mirage mitigation technology fore-end tube.
- New lateral adjustment cheek piece. **NEW**
- Complete rifle stock features (P. 62-63).

## ACTION

- 416 stainless steel, heavy duty 1.550" custom grade bolt action repeater.
- DLC coated 3 lug fluted bolt with ultra-smooth 60° short bolt throw.
- Ambidextrous safety lever on shroud.
- New round and tactical interchangeable bolt knobs. **NEW**
- ¼ turn tool-free bolt disassembly for an easy access to the firing pin.

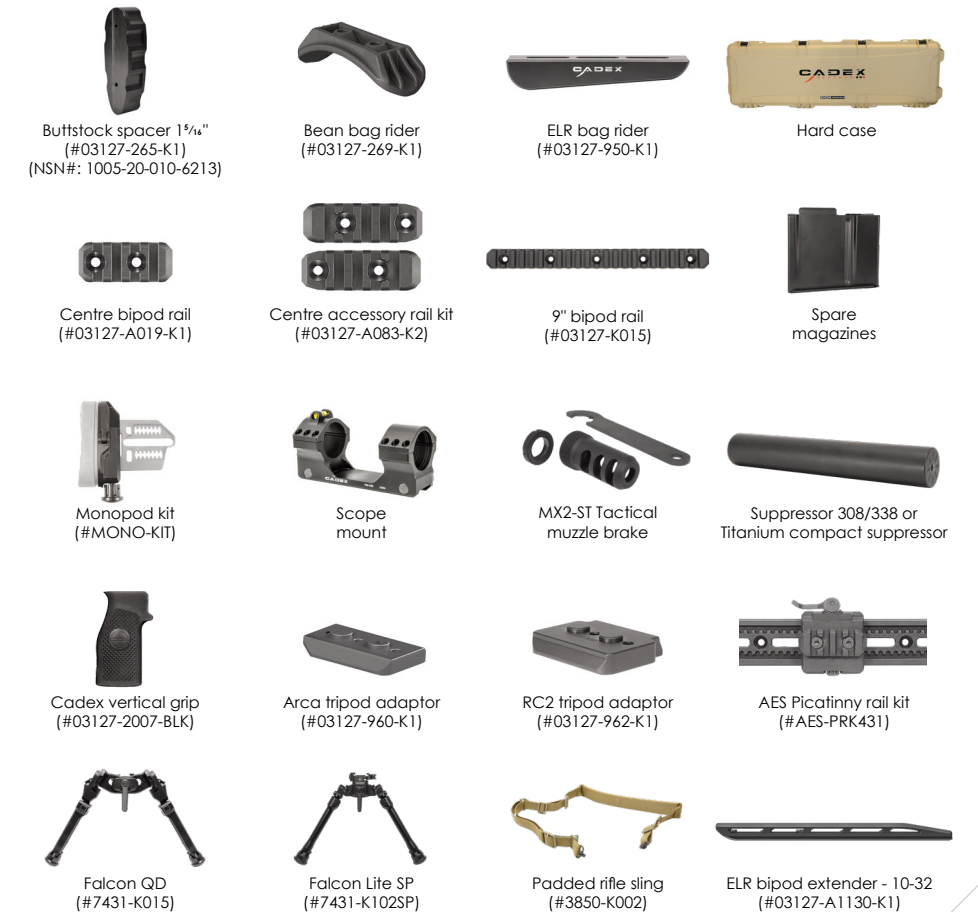
## COLORS

- Cerakote non-reflective coating.
- See all colors available (P. 6-7).

## MORE SPECIFICATIONS

- Selectable single/two stage DX2 EVO trigger with position adjustable trigger shoe (P. 78).
- AICS magazine compatible, short and long action (P. 80).
- MX1 muzzle brake included (P. 90) (optional MX2-ST Tactical muzzle brake sold separately).
- Accessories table (P. 66).
- Action specifications (P. 72).
- Actions table (P. 148).

## COMPATIBLE OPTIONAL ACCESSORIES



# CDX-40 SHDW

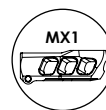


The CDX-40 SHDW is the Cadex Precision Rifle chambered in either 375 EnABELR or 375/408 CT. These ultimate calibers were designed for extreme range shooting and anti-materiel up to 2 miles with proper training and shooting conditions. Push your limits even further with the CDX-40 SHDW. Renowned by the ELR community as the best extreme range platform on the market.

Also available in single shot variants for ELR competition.



Skeleton fixed stock variant available on special order (SHDW-TAC)



Caliber	Barrel length	Twist rate	Rifling	Magazine capacity
375 EnABELR	32" / 36"	1:7	5R	7 or single shot
375 CT*	29" / 32" / 36"	1:7 / 1:10	5R	7 or single shot
408 CT*	29" / 32"	1:12	8	7

See the complete spec sheet P. 145

\*CheyTac is a registered trademark of CheyTac USA Inc. Cadex Defence is not affiliated with, endorsed by or sponsored by CheyTac USA.

## BARREL

- Bartlein® 1.350" straight taper fluted match grade barrel with single point cut rifling technology.
- 29" for military application, 32" for long range performance or 36" non-fluted barrel for ELR competition.
- Threaded muzzle for muzzle brake installation (MX1 included).
- Optional suppressor band for use with a Cadex slip-on suppressor.
- Easy and unique do-it-yourself rebarreling system.

## CHASSIS

- Dual Strike chassis system with folding stock (skeleton fixed stock variant available).
- Skeleton folding stock variant available.
- Interchangeable 20, 40 or 60 MOA full length top rail.
- Mirage mitigation technology fore-end tube.
- New lateral adjustment cheek piece. **NEW**
- Complete rifle stock features (P. 49-50).

## ACTION

- 416 stainless steel, heavy duty 1.600" custom grade bolt action repeater.
- DLC coated 3 lug fluted bolt with 60° short bolt throw.
- Ambidextrous safety lever on shroud.
- New round and tactical interchangeable bolt knobs. **NEW**
- ¼ turn tool-free bolt disassembly for an easy access to the firing pin.

## COLORS

- Cerakote non-reflective coating.
- See all colors available (P. 6-7).

## MORE SPECIFICATIONS

- Very low recoil calibers compared to 50 BMG.
- Selectable single/two stage DX2 EVO trigger with position adjustable trigger shoe (P. 73).
- Cadex's DSSF 7 round magazine offering the longest cartridge overall length in the industry (P. 77).
- MX1 muzzle brake included (P. 85).
- Accessories table (P. 66).
- Action specifications (P. 68).
- Actions table (P. 143).

## COMPATIBLE OPTIONAL ACCESSORIES



Buttstock spacer 1 1/4" (#03127-265-K1) (NSN#: 1005-20-010-6213)

Bean bag rider (#03127-269-K1)

ELR bag rider (#03127-950-K1)

Monopod rail with flush cup (#03127-A173-K1)

Arca tripod adaptor (#03127-960-K1)

RC2 tripod adaptor (#03127-962-K1)

ELR bipod extender - 1/4-28 (#03127-A1129-K1)

Monopod kit (#MONO-KIT)

Falcon QD (#7431-K015)

Scope mount

Suppressor 375/408 (#6426-A004)

AES Picatinny rail kit (#AES-PRK432)

Centre accessory rail kit (#03127-A083-K2)

Centre bipod rail (#03127-A019-K1)

Hard case

Padded rifle sling (#3850-K002)

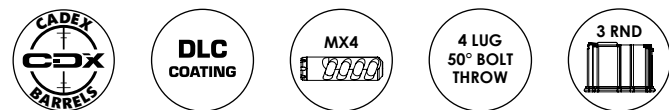
# CDX-BMG QUAKE



The needs of sports shooters and military snipers differ. Many sport shooters do not require every military-grade feature, they want a reliable, attractive rifle that delivers precision without the premium price tag. The CDX-BMG QUAKE is a bolt-action, repeater chambered in 50 BMG engineered to be economical without compromising Cadex's legendary build quality.

Built the same way as our most prestigious rifles, the CDX-BMG QUAKE integrates the essential features serious precision shooters demand. Every component is selected and finished to deliver repeatable long-range performance while keeping acquisition costs accessible.

The CDX-BMG QUAKE delivers the best "bang for your buck" — premium performance, proven reliability, and unmistakable Cadex craftsmanship at a fraction of the cost of our CDX-50 TREMOR.



## BARREL

- Cadex 29" - 1.680" non-fluted stainless steel match grade barrel (button rifling).
- 1.5 MOA guarantee with match grade ammunition.
- Threaded muzzle for muzzle brake installation (MX4 included).
- Easy and unique do-it-yourself rebarreling system.

## CHASSIS

- Strike QUAKE chassis with built-in aluminum micro-chassis technology (no bedding required).
- Adjustable cheek rest and butt pad.
- Neoprene cheek pad for improved comfort.
- Includes a 1/4" spacer. Optional additional spacers available to increase the length of pull.
- Built-in flush cups for QD sling attachments.
- Rubberized grip insert.

## ACTION

- 416 stainless steel, heavy duty 1.960" custom grade bolt action repeater.
- DLC coated 4 lug fluted bolt with 50° ultra-short bolt throw.
- Ambidextrous safety lever on shroud.
- New round and tactical interchangeable bolt knobs. **NEW**
- ¼ turn tool-free bolt disassembly for an easy access to the firing pin.
- Selectable single/two stage DX2 EVO trigger with position adjustable trigger shoe.
- 3 round magazine (optional 5 round magazine sold separately).
- 20 MOA Picatinny top rail.

## COLORS

- Cerakote non-reflective coating.
- Available in the 3 best-selling colors.  
Black (BLK) - Hybrid Tan/Black (HTB) - Hybrid OD Green (HOD)

## ACCESSORIES

- Includes a bean bag rider, a 5" steel bipod rail, a 3 round magazine and a sniper drag bag.

## COMPATIBLE OPTIONAL ACCESSORIES



Caliber	Barrel length	Twist rate	Rifling	Magazine capacity
50 BMG	29"	1:15	8	3 or 5*

\*Optional 5 round magazine sold separately

See the complete spec sheet P. 151

# CDX-50 TREMOR®

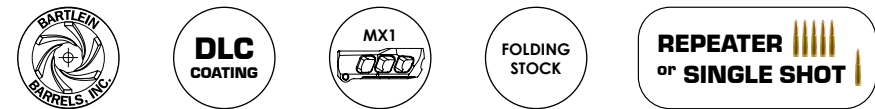


The CDX-50 TREMOR®, a 50 caliber precision rifle built to military specifications (MIL-SPEC), is capable of delivering a huge payload accurately while maintaining very manageable recoil. The CDX-50 is a lightweight bolt action rifle that brings new technology to the 50 BMG of years gone by. Don't get fooled by semi-automatic rifles shooting at best 2.5 MOA... This is the ultimate extreme range anti-materiel rifle.

Also available in 416 Barrett® repeater or single shot for military purpose or ELR competition.



Skeleton fixed stock variant available on special order (TRMR-TAC)



Caliber	Barrel length	Twist rate	Rifling	Magazine capacity
416 Barrett® *	32" / 40"	1:9	5R	5 or single shot
50 BMG	20.6" / 29" / 32"	1:15	8	5

See the complete spec sheet P. 146

NSN#: 1005-20-010-4018 (for CDX50-DUAL-50-29-TAN)

\*Barrett® is a registered trademark of Barrett Firearms Mfg., Inc. Cadex Defence is not affiliated with, endorsed by or sponsored by Barrett Firearms Mfg., Inc.

## BARREL

- Bartlein® 1.680" straight taper fluted match grade barrel with single point cut rifling technology.
- 29" for military application, 32" for long range performance or 40" non-fluted barrel for ELR competition.
- Threaded muzzle for muzzle brake installation (MX1 included).
- Optional suppressor band for use with a Cadex slip-on suppressor.
- Easy and unique do-it-yourself rebarreling system.

## CHASSIS

- Dual Strike chassis system with folding stock (skeleton fixed stock variant available).
- Skeleton folding stock variant available.
- Interchangeable 20, 40 or 60 MOA full length top rail.
- Mirage mitigation technology fore-end tube.
- New lateral adjustment cheek piece. **NEW**
- Complete rifle stock features (P. 49-50).

## ACTION

- 416 stainless steel, heavy duty 1.960" custom grade bolt action repeater.
- DLC coated 4 lug fluted bolt with 50° ultra-short bolt throw.
- Ambidextrous safety lever on shroud.
- New round and tactical interchangeable bolt knobs. **NEW**
- ¼ turn tool-free bolt disassembly for an easy access to the firing pin.

## COLORS

- Cerakote non-reflective coating.
- See all colors available (P. 6-7).

## MORE SPECIFICATIONS

- Selectable single/two stage DX2 EVO trigger with position adjustable trigger shoe (P. 73).
- Cadex's SSSF 5 round magazine offering the easiest 50 BMG magazine change in the industry (P. 77).
- MX1 muzzle brake included (P. 85). (optional MX2-ST 50 BMG muzzle brake sold separately).
- Accessories table (P. 66).
- Action specifications (P. 68).
- Actions table (P. 143).

## COMPATIBLE OPTIONAL ACCESSORIES



Buttstock spacer 1 3/4" (#03127-265-K1) (NSN#: 1005-20-010-6213)

Bean bag rider (#03127-269-K1)

ELR bag rider (#03127-950-K1)

Monopod rail with flush cup (#03127-A173-K1)

Arca tripod adaptor (#03127-960-K1)

RC2 tripod adaptor (#03127-962-K1)

ELR bipod extender - 1/4-28 (#03127-A1129-K1)

Monopod kit (#MONO-KIT)

MX2-ST 50 BMG (#3850-439-ST)

Scope mount

Suppressor 50BMG or Compact suppressor 50 BMG

AES Picatinny rail kit (#AES-PRK432)

Centre accessory rail kit (#03127-A083-K2)

Centre bipod rail (#03127-A019-K1)

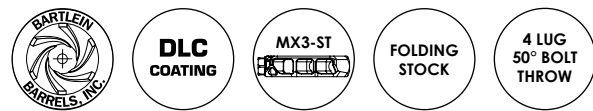
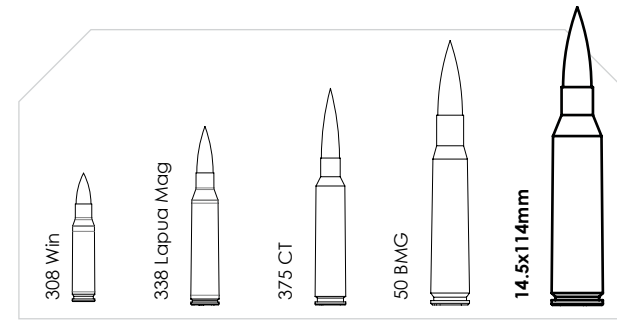
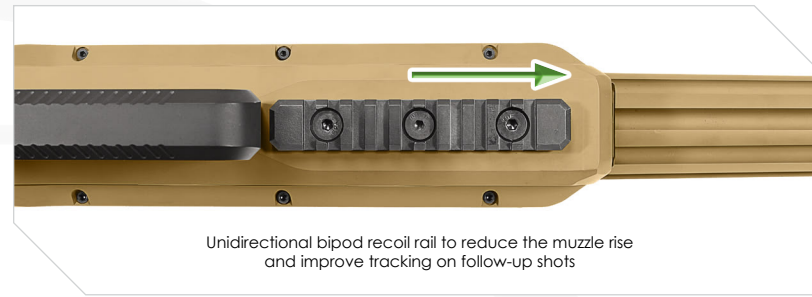
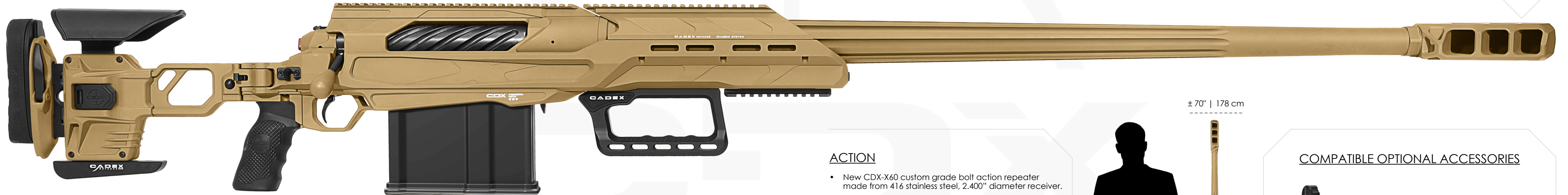
Falcon QD (#7431-K015)

Hard case

# CDX-X60

The CDX-X60 is our most extreme precision rifle design yet. Chambered in both 12.7x114mm UA and 14.5x114mm calibers, this amazing rifle is capable of delivering maximum payload at extreme distances when combined with match grade ammunition.

The lack of quality ammunition in these specialty calibers has previously been a problem, but now resolved due to a partnership with two of the most renowned superior quality ammo makers on the planet. These two partners are offering a wide selection of ammunition for recreational shooting or military applications.



Caliber	Barrel length	Twist rate	Rifling	Magazine capacity
12.7x114mm UA	36" / 40"	1:13	8	4
14.5x114mm	40"	1:14	8	4

See the complete spec sheet P. 151

## BARREL

- Bartlein 2.200" straight taper fluted match grade barrel with single point cut rifling technology.
- 8 groove 36" or 40" long barrel for extended range application.
- Threaded muzzle for muzzle brake installation (MX3-ST included).

## CHASSIS

- New Xtreme chassis platform built from a rock solid single piece aircraft grade aluminum billet.
- Battle proven reverse folding stock mechanism with free-play adjustable hinge system to remove loosening that may develop over time.
- New Xtreme tool-free fully adjustable buttstock and neoprene cheek pad.
- Choice of 20 or 40 MOA top rail with NVD bridge.
- M-LOK fore-end tube capable of adapting various Picatinny rails and accessories.
- Unidirectional bipod recoil rail to reduce the muzzle rise and improve tracking on follow-up shots.
- Carry handle mounted at the center of balance of the rifle.

## ACTION

- New CDX-X60 custom grade bolt action repeater made from 416 stainless steel, 2.400" diameter receiver.
- DLC coated 4 lug spiral fluted bolt with ultra-fast 50° bolt throw.
- Ambidextrous 3 position safety lever on shroud (FIRE, UNLOAD, SAFETY).
- New round and tactical interchangeable bolt knobs. **NEW**
- ¼ turn tool-free bolt disassembly for an easy access to the firing pin.

## COLORS

- Cerakote non-reflective coating.
- See all colors available (P. 6-7).

## MORE SPECIFICATIONS

- Selectable single/two stage DX2 EVO trigger with position adjustable trigger shoe (P. 78).
- Designed to accommodate Cadex's SSSF 4 round magazine (MAG145 - P. 82).
- MX3-ST muzzle brake included (P. 90).
- Accessories table (P. 66).
- Action specifications (P. 75).
- Actions table (P. 148).



## COMPATIBLE OPTIONAL ACCESSORIES



# SINGLE SHOT RIFLES & CUSTOM BUILDS

SINGLE SHOT RIFLES

## CDX-40SS SHDW (Single Shot)

- 375 EnABELR, 60 MOA, 36" Bartlein, 1:7" twist
- 375 CT, 60 MOA, 36" Bartlein, 1:7" twist

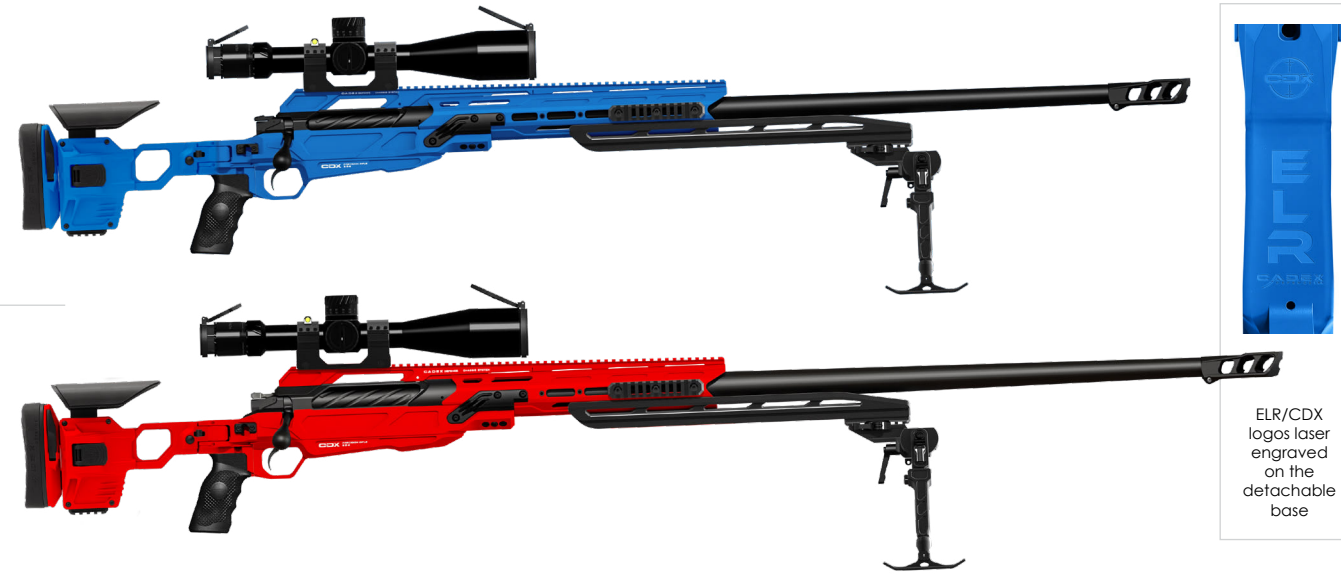
MORE FEATURES P. 36-37

## CDX-50SS TREMOR® (Single Shot)

- 416 Barrett®, 60 MOA, 40" Bartlein, 1:9" twist

MORE FEATURES P. 40-41

SEE ALL COLORS AVAILABLE P. 6-7



Shown with optional scope mount, riflescope, ELR bipod extender and Falcon bipod with ski feet. Sold separately.

ELR/CDX logos laser engraved on the detachable base

## SINGLE SHOT ACTIONS

### CDX-30/300/33SS (Single Shot)

- Long action, 3 lug, 60° bolt throw, 20 MOA, Dia. 1.550", DLC coated bolt

Shown with optional tactical bolt knob



MORE FEATURES P. 72

### CDX-40SS (Single Shot)

- XL action, 3 lug, 60° bolt throw, 20 MOA, Dia. 1.600", DLC coated bolt and receiver

Shown with standard round bolt knob



MORE FEATURES P. 73

### CDX-50SS (Single Shot)

- XL action, 4 lug, 50° bolt throw, 20 MOA, Dia. 1.960", DLC coated bolt and receiver

Shown with optional tactical bolt knob



MORE FEATURES P. 73

## SINGLE SHOT CHASSIS

### DUAL STRIKE (Single Shot) for CDX-40SS or CDX-50SS actions



MORE FEATURES P. 54-55

### LITE STRIKE (Single Shot) for CDX-30/300/33SS actions



MORE FEATURES P. 56-57

# LEFT HANDED PRODUCTS

## LEFT HANDED RIFLES\* (SHORT ACTION ONLY)

### CDX-R7 SHP SERIES - P. 16-17

Caliber	Barrel length	Twist rate	Magazine capacity
6 Creedmoor	26"	1:7½	10
6.5 Creedmoor	16.5" / 20" / 24" / 26"	1:8	10
6.5 PRC	24" / 26"	1:8	7
308 Win	(16.5") / 20" / 24" / 26"	(1:10) / 1:11¼	10
300 WSM	24"	1:10	7

### CDX-R7 LCP/FCP - P. 20-23

Caliber	Barrel length	Twist rate	Magazine capacity
6 Creedmoor	26"	1:7½	10
6.5 Creedmoor	24" / 26"	1:8	10
6.5 PRC	24" / 26"	1:8	7
308 Win	20" / 24" / 26"	1:11¼	10
300 WSM	24"	1:10	7

### CDX-R7 LITE - Special request only

Caliber	Barrel length	Twist rate	Magazine capacity
6 Creedmoor	26"	1:7½	10
6.5 Creedmoor	16.5" / 20" / 24" / 26"	1:8	10
6.5 PRC	24" / 26"	1:8	7
308 Win	(16.5") / 20" / 24" / 26"	(1:10) / 1:11¼	10
300 WSM	24"	1:10	7

\*Left handed rifles are equipped with TriggerTech® primary trigger

## LEFT HANDED ACTIONS (SHORT ACTION ONLY)

### CDX-R7 SERIES

- Rem 700 footprint
- 4 lug
- 50° bolt throw
- 20 MOA
- Bolt face type B (Ø 0.480")
- Bolt face type C (Ø 0.550")



"B" group bolt face

"C" group bolt face



### MORE FEATURES

CDX-R7 SERIES actions P. 71



## LEFT HANDED CHASSIS

Available for CDX-R7 SA, Remington® 700, Stiller®, Tikka® T3/T3X, Defiance® and most Rem 700 clones. (See appropriate chassis spec chart)



Lite Strike (P. 56-57)



Field Tactical (P. 62-63)



Strike Nuke Evo (P. 48-49)  
\*Features a dressing cap on the right side



Lite Competition (P. 58-59)



Field Competition (P. 60-61)



# TUNDRA STRIKE



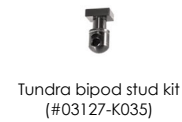
- 1 Cadex recoil pad.
- 2 Neoprene cheek pad.
- 3 Front and rear sling stud.
- 4 Rubberized grip insert.
- 5 Oversized trigger guard and magazine release for easy manipulation with gloves.
- 6 AICS magazine type:  
- Short Action: DSSF 3.055"  
- Long Action: SSSF 3.715", 3.775" and 3.850" CIP
- 7 Front rubberized grip insert.
- 8 Fore-end inserts for sporter and heavy barrel included.

The Tundra Strike rifle stock is designed with back country hunters in mind. Unlike other manufacturers out there aiming at the absolute lightest materials available, Cadex oriented this rifle stock towards a perfect balance between weight reduction, rigidity and no compromise on stability.

The Tundra Strike is an affordable rifle stock with the right features at the right place offering unbeatable value for your money. The rifle stock is polymer injected with our special recipe of fibers to produce a lightweight yet extremely stiff rifle stock blank. Within the polymer rifle stock blank are molded aluminum bedding blocks, among which the magazine housing and recoil lug pocket are CNC machined to ensure a perfect alignment. This production process is so precise that no bedding compound is required. No need to be a gunsmith to do it, it is a 2 minute installation process similar to our chassis systems. No bedding job required.



## COMPATIBLE OPTIONAL ACCESSORIES



COMPATIBILITY CHART	SHORT ACTION CALIBERS			LONG ACTION CALIBERS		XL ACTION CALIBERS
	Bolt face "A" (.385") SHORT	Bolt face "B" (.480") STANDARD	Bolt face "C" (.550") SHORT MAGNUM	Bolt face "B" (.480") LONG STANDARD	Bolt face "C" (.550") LONG MAGNUM	Bolt face "D" (.600") SUPER MAGNUM
	204 Ruger, 222 Rem, 223 Rem, 5.56mm, 300 Whisper/Blackout	22-250 Rem, 243 Win, 6 BR Norma, 6 Dasher, 6 Creedmoor, 6x47 Lapua, 6.5x47 Lapua, 6.5 Creedmoor, 260 Rem, 7mm-08 Rem, 308 Win	6.5 PRC, 270 WSM, 7 WSM, 300 WSM	220 Swift, 25-06 Rem, 6.5x55 Swedish, 270 Win, 30-06 SPRG	7 Rem Mag, 7 RUM, 28 Nosler, 300 Win Mag, 300 PRC, 300 RUM, 338 Win, 338 RUM	300 Norma Mag, 338 Norma Mag, 338 Lapua Mag
	MAG TYPE AICS DSSF 3.055"			MAG TYPE AICS SSSF 3.715", 3.775" or 3.850" CIP		MAG TYPE AICS SSSF 3.715", 3.775" or 3.850" CIP
Cadex Defence®	CDX-SS SEVEN S.T.A.R.S.	CDX-SS SEVEN S.T.A.R.S., CDX-R7 SHP SA (HUNTING)	CDX-R7 SHP SA (HUNTING)	CDX-R7 SHP LA (HUNTING)		CDX-R7 SHP LA (HUNTING)
Remington®	REM 700 SA			REM 700 LA		REM 700 LA
Stiller®	PREDATOR SHORT, TAC-30			PREDATOR LONG, TAC-300		N/A
Tikka®	Discontinued, contact Cadex for availability.					

### SHORT ACTION (SA) LONG ACTION (LA)

Dimensions:  
30.83" x 1.72" x 5.71"

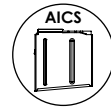
Weight (±):  
2.6 lb



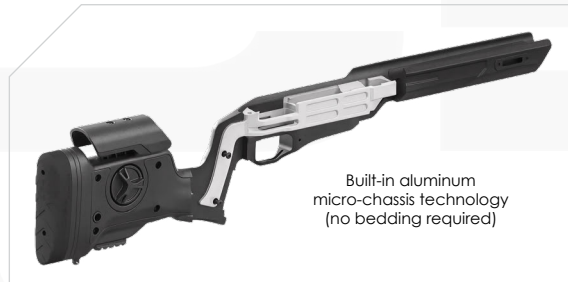
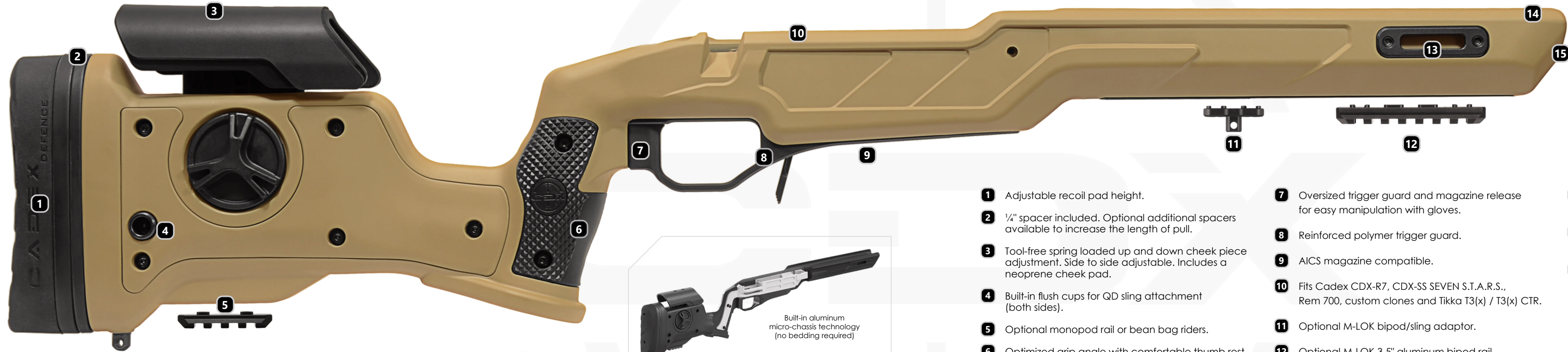
\*Shown here in Hybrid White/Black featuring a Tikka T3 CTR converted to AICS magazine. Magazine, scope mount and riflescope not included.

For any Rem 700 Custom Clones, contact Cadex to validate compatibility prior to order.

# STRIKE NUKE EVO



The Cadex Strike Nuke Evo micro-chassis system is designed for shooters looking for traditional stock ergonomics while benefiting from the advantages of a chassis system. Gen2 improved design with M-LOK technology and high density fiberglass reinforced polymer. The Strike Nuke Evo stock fits the CDX-SS SEVEN S.T.A.R.S., the CDX-R7 Series actions, most Rem 700 custom action clones and some Tikka® models.



- 1** Adjustable recoil pad height.
  - 2** 1/4" spacer included. Optional additional spacers available to increase the length of pull.
  - 3** Tool-free spring loaded up and down cheek piece adjustment. Side to side adjustable. Includes a neoprene cheek pad.
  - 4** Built-in flush cups for QD sling attachment (both sides).
  - 5** Optional monopod rail or bean bag riders.
  - 6** Optimized grip angle with comfortable thumb rest.
  - 7** Oversized trigger guard and magazine release for easy manipulation with gloves.
  - 8** Reinforced polymer trigger guard.
  - 9** AICS magazine compatible.
  - 10** Fits Cadex CDX-R7, CDX-SS SEVEN S.T.A.R.S., Rem 700, custom clones and Tikka T3(x) / T3(x) CTR.
  - 11** Optional M-LOK bipod/sling adaptor.
  - 12** Optional M-LOK 3.5" aluminum bipod rail.
  - 13** Optional M-LOK 3" modular rail or M-LOK flush cup adaptor.
  - 14** Ergonomic semi wide fore-end tube with medium and heavy barrel contour inserts.
  - 15** Maximum barrel diameter 1.350" straight taper to 1.250" at muzzle end.
- Built-in aluminum micro-chassis technology (no bedding required).
  - See all colors available (P. 6-7).
  - Accessories table (P. 66).

COMPATIBILITY CHART	SHORT ACTION CALIBERS						
	RIMFIRES	SHORT ACTION CALIBERS			LONG ACTION CALIBERS		XL ACTION CALIBERS
	RIMFIRE	Bolt face "A" (.385") SHORT	Bolt face "B" (.480") STANDARD	Bolt face "C" (.550") SHORT MAGNUM	Bolt face "B" (.480") LONG STANDARD	Bolt face "C" (.550") LONG MAGNUM	Bolt face "D" (.600") SUPER MAGNUM
	22 LR	204 Ruger, 222 Rem, 223 Rem, 5.56mm, 300 Whisper/Blackout	22-250 Rem, 243 Win, 6 BR Norma, 6 Dasher, 6 Creedmoor, 6x47 Lapua, 6.5x47 Lapua, 6.5 Creedmoor, 260 Rem, 7mm-08 Rem, 308 Win	6.5 PRC, 270 WSM, 7 WSM, 300 WSM	220 Swift, 25-06 Rem, 6.5x55 Swedish, 270 Win, 30-06 SPRG	7 Rem Mag, 7 RUM, 28 Nosler, 300 Win Mag, 300 PRC, 300 RUM, 338 Win, 338 RUM	300 Norma Mag, 338 Norma Mag, 338 Lapua Mag
		MAG TYPE AICS DSSF 3.055"			MAG TYPE AICS SSSF 3.715", 3.775" or 3.850" CIP		MAG TYPE AICS 3.850" CIP
		CDX-SS SEVEN S.T.A.R.S.	CDX-SS SEVEN S.T.A.R.S., CDX-R7 SHP SA	CDX-R7 SHP SA	CDX-R7 SHP LA	CDX-R7 SHP LA	CDX-R7 SHP LA
		REM 700 SA			REM 700 LA		REM 700 LA
		PREDATOR SHORT, TAC-30			PREDATOR LONG, TAC-300		N/A
	V-22 Repeater	N/A			N/A		N/A
		Discontinued, contact Cadex for availability.					N/A

### SHORT ACTION (SA) LONG ACTION (LA)

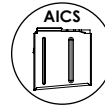
Dimensions:  
31.97" x 2.14" x 6.95"  
Weight (±):  
5.1 lb

### COMPATIBLE OPTIONAL ACCESSORIES

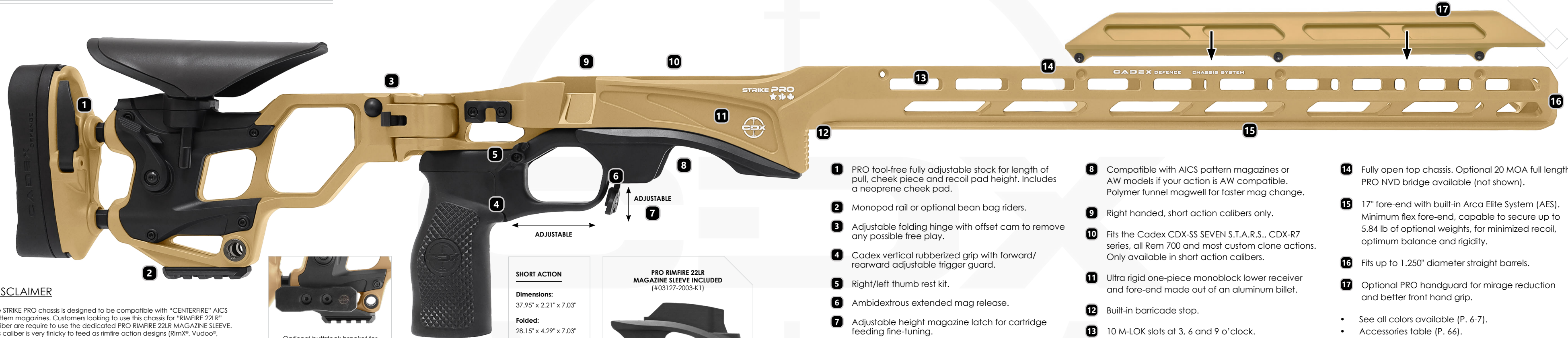


For any Defiance Machine® or Rem 700 Custom Clones, contact Cadex to validate compatibility prior to order.

# STRIKE PRO



**BORN TO WIN**



- 1 PRO tool-free fully adjustable stock for length of pull, cheek piece and recoil pad height. Includes a neoprene cheek pad.
- 2 Monopod rail or optional bean bag riders.
- 3 Adjustable folding hinge with offset cam to remove any possible free play.
- 4 Cadex vertical rubberized grip with forward/rearward adjustable trigger guard.
- 5 Right/left thumb rest kit.
- 6 Ambidextrous extended mag release.
- 7 Adjustable height magazine latch for cartridge feeding fine-tuning.
- 8 Compatible with AICS pattern magazines or AW models if your action is AW compatible. Polymer funnel magwell for faster mag change.
- 9 Right handed, short action calibers only.
- 10 Fits the Cadex CDX-SS SEVEN S.T.A.R.S., CDX-R7 series, all Rem 700 and most custom clone actions. Only available in short action calibers.
- 11 Ultra rigid one-piece monoblock lower receiver and fore-end made out of an aluminum billet.
- 12 Built-in barricade stop.
- 13 10 M-LOK slots at 3, 6 and 9 o'clock.
- 14 Fully open top chassis. Optional 20 MOA full length PRO NVD bridge available (not shown).
- 15 17" fore-end with built-in Arca Elite System (AES). Minimum flex fore-end, capable to secure up to 5.84 lb of optional weights, for minimized recoil, optimum balance and rigidity.
- 16 Fits up to 1.250" diameter straight barrels.
- 17 Optional PRO handguard for mirage reduction and better front hand grip.

## DISCLAIMER

The STRIKE PRO chassis is designed to be compatible with "CENTERFIRE" AICS pattern magazines. Customers looking to use this chassis for "RIMFIRE 22LR" caliber are require to use the dedicated PRO RIMFIRE 22LR MAGAZINE SLEEVE. This caliber is very finicky to feed as rimfire action designs (RimX®, Vudoo®, Bergara®, etc.) and bullet shapes are almost infinite, so fine-tuning may be required to feed reliably.



Optional buttstock bracket for M-LOK weights (#03127-2076-K1). Weights not included.

### SHORT ACTION

**Dimensions:**  
37.95" x 2.21" x 7.03"

**Folded:**  
28.15" x 4.29" x 7.03"

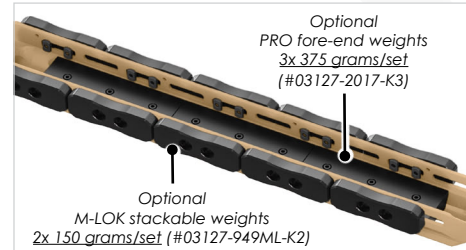
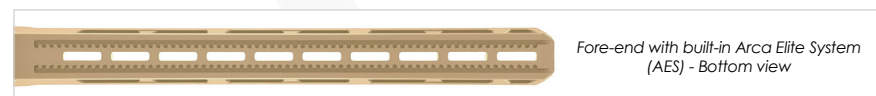
**Weight (±):** 4.15 lb

### PRO RIMFIRE 22LR MAGAZINE SLEEVE INCLUDED (#03127-2003-K1)



COMPATIBILITY CHART	SHORT ACTION CALIBERS			
	RIMFIRES	SHORT ACTION CALIBERS		
	RIMFIRE	Bolt face "A" (.385") SHORT	Bolt face "B" (.480") STANDARD	Bolt face "C" (.550") SHORT MAGNUM
	22 LR	204 Ruger, 222 Rem, 223 Rem, 5.56mm, 300 Whisper/Blackout	22-250 Rem, 243 Win, 6 BR Norma, 6 Dasher, 6 Creedmoor, 6x47 Lapua, 6.5x47 Lapua, 6.5 Creedmoor, 260 Rem, 7mm-08 Rem, 308 Win	6.5 PRC, 270 WSM, 7 WSM, 300 WSM
	MAG TYPE AICS DSSF 3.055"	MAG TYPE AICS DSSF 3.055"		
Cadex Defence®	N/A	CDX-SS SEVEN S.T.A.R.S.	CDX-SS SEVEN S.T.A.R.S., CDX-R7 SHP SA	CDX-R7 SHP SA
Remington®	N/A	REM 700 SA (6-48)		
Bergara®	B-14R	N/A		
Stiller®	N/A	PREDATOR SHORT, TAC-30		
Vudoo®	V-22 Repeater	N/A		
Zermatt Arms®	RimX	N/A		

For any Rem 700 Custom Clones, contact Cadex to validate compatibility prior to order.



Optional M-LOK stackable weights 2x 150 grams/set (#03127-949ML-K2)

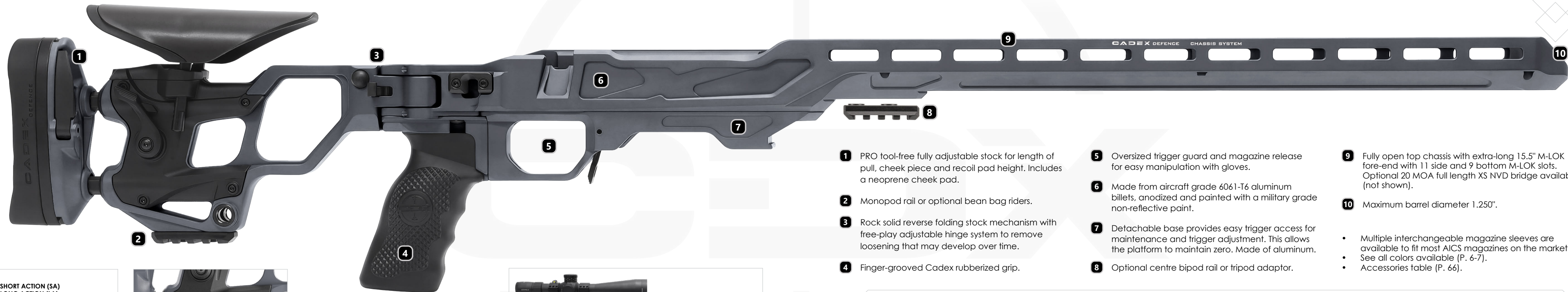
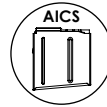


Optional 20 MOA PRO NVD bridge available

## COMPATIBLE OPTIONAL ACCESSORIES



# STRIKE XS



The STRIKE XS is the latest evolution of our long-range chassis systems. It incorporates most features requested by positional shooting competitors without sacrificing any features an operator needs during field operations. This chassis is built from a one-piece lower receiver and fore-end tube carved out of a solid aluminum billet. The fore-end tube features 11 side and 9 bottom M-LOK slots, was lengthened to 15.5" and was reinforced at critical areas making it our most rigid chassis yet. An optional extra-long NVD bridge is available for a perfect alignment of thermal imaging, night vision devices, Nightforce® prism or "ballistic periscopes" such as the Charlie Tarac®. This chassis is also equipped with our PRO tool-free fully adjustable and foldable buttstock. If you are looking for a chassis capable of doing all types of shooting, such as prone, tripod or even building roof top, the STRIKE XS will fulfill your needs.

- 1** PRO tool-free fully adjustable stock for length of pull, cheek piece and recoil pad height. Includes a neoprene cheek pad.
  - 2** Monopod rail or optional bean bag riders.
  - 3** Rock solid reverse folding stock mechanism with free-play adjustable hinge system to remove loosening that may develop over time.
  - 4** Finger-grooved Cadex rubberized grip.
  - 5** Oversized trigger guard and magazine release for easy manipulation with gloves.
  - 6** Made from aircraft grade 6061-T6 aluminum billets, anodized and painted with a military grade non-reflective paint.
  - 7** Detachable base provides easy trigger access for maintenance and trigger adjustment. This allows the platform to maintain zero. Made of aluminum.
  - 8** Optional centre bipod rail or tripod adaptor.
  - 9** Fully open top chassis with extra-long 15.5" M-LOK fore-end with 11 side and 9 bottom M-LOK slots. Optional 20 MOA full length XS NVD bridge available (not shown).
  - 10** Maximum barrel diameter 1.250".
- Multiple interchangeable magazine sleeves are available to fit most AICS magazines on the market.
  - See all colors available (P. 6-7).
  - Accessories table (P. 66).

**SHORT ACTION (SA)  
LONG ACTION (LA)**

**Dimensions:**  
(SA: 38.7") (LA: 39.55") x 2.26" x 6.76"

**Folded:**  
(SA: 29.65") (LA: 30.5") x 4.3" x 6.76"

**Weight (±):**  
(SA: 4.69 lb) (LA: 4.73 lb)



**PRO BUTT PLATE CONVERSION KIT**

It converts the small PRO butt pad to our standard (bigger) butt pad. Comes standard with long action. Short action available as an option.

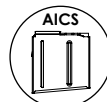


## COMPATIBLE OPTIONAL ACCESSORIES

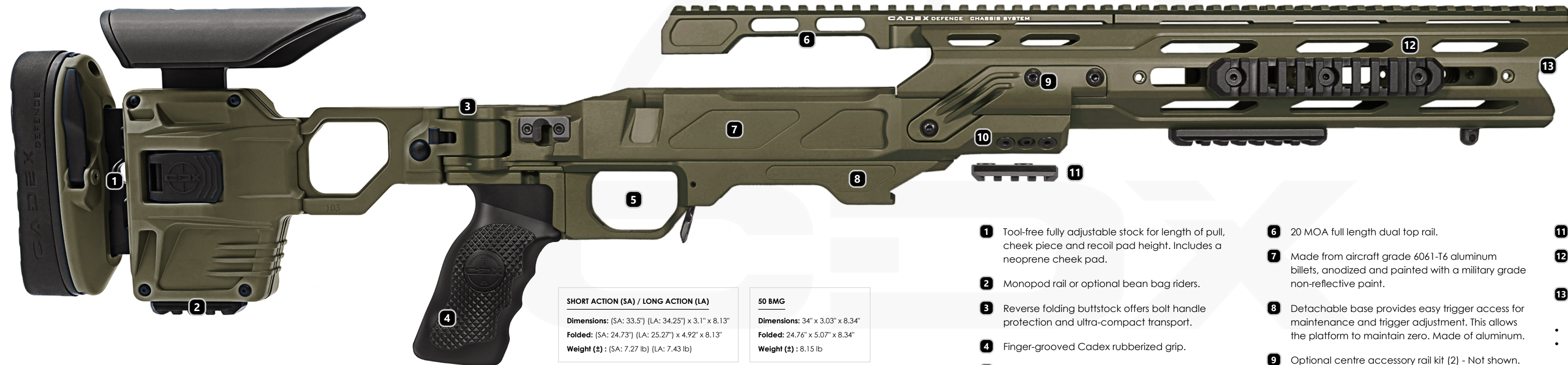
<td></td> <td></td> <td></td> <td></td> <td></td> <td></td>						
		CDX-R7 SA (#03127-A509-CR7-SA) LA (#03127-A509-CR7-LA)	Rem 700 SA (#03127-A509-REM-SA) LA (#03127-A509-REM-LA)			

COMPATIBILITY CHART	SHORT ACTION CALIBERS			LONG ACTION CALIBERS		XL ACTION CALIBERS	
	Bolt face "A" (.385") SHORT	Bolt face "B" (.480") STANDARD	Bolt face "C" (.550") SHORT MAGNUM	Bolt face "B" (.480") LONG STANDARD	Bolt face "C" (.550") LONG MAGNUM	Bolt face "D" (.600") SUPER MAGNUM	
	204 Ruger, 222 Rem, 223 Rem, 5.56mm, 300 Whisper/Blackout	22-250 Rem, 243 Win, 4 BR Norma, 6 Dasher, 6 Creedmoor, 6x47 Lapua, 6.5x47 Lapua, 6.5 Creedmoor, 260 Rem, 7mm-08 Rem, 308 Win	6.5 PRC, 270 WSM, 7 WSM, 300 WSM	220 Swift, 25-06 Rem, 6.5x55 Swedish, 270 Win, 30-06 SPRG	7 Rem Mag, 7 RUM, 28 Nosler, 300 Win Mag, 300 PRC, 300 RUM, 338 Win, 338 RUM	300 Norma Mag, 338 Norma Mag, 338 Lapua Mag	
	MAG TYPE AICS DSSF 3.055"			MAG TYPE AICS SSSF 3.715", 3.775" or 3.850" CIP		MAG TYPE AICS SSSF 3.715", 3.775" or 3.850" CIP	
Cadex Defence®	CDX-SS SEVEN S.T.A.R.S.	CDX-SS SEVEN S.T.A.R.S., CDX-R7 SHP SA	CDX-R7 SHP SA	CDX-R7 SHP LA	CDX-R7 SHP LA		
Remington®		REM 700 SA (6-48)		REM 700 LA (6-48)	REM 700 LA (6-40)		

# DUAL STRIKE



Also available in **SINGLE SHOT** configuration for CDX-40SS and CDX-50SS actions



**SHORT ACTION (SA) / LONG ACTION (LA)**  
**Dimensions:** (SA: 33.5") (LA: 34.25") x 3.1" x 8.13"  
**Folded:** (SA: 24.73") (LA: 25.27") x 4.92" x 8.13"  
**Weight (±):** (SA: 7.27 lb) (LA: 7.43 lb)

**50 BMG**  
**Dimensions:** 34" x 3.03" x 8.34"  
**Folded:** 24.76" x 5.07" x 8.34"  
**Weight (±):** 8.15 lb

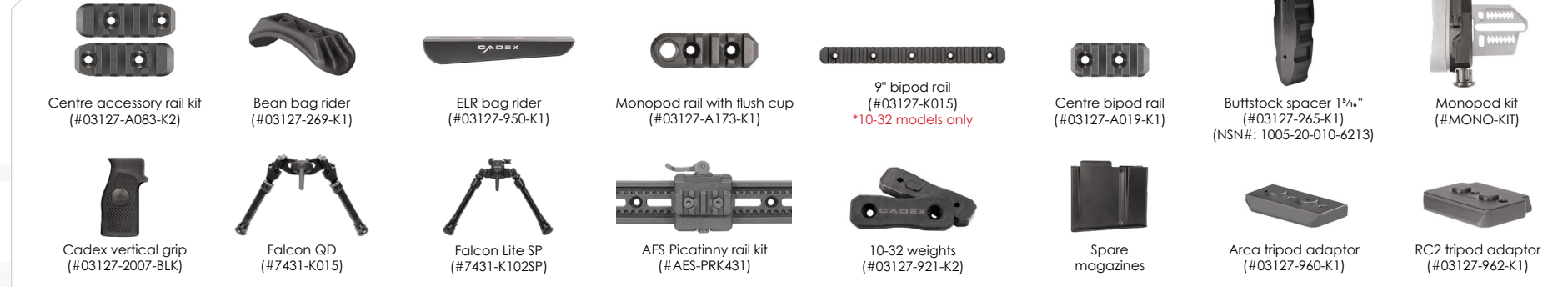
- 1** Tool-free fully adjustable stock for length of pull, cheek piece and recoil pad height. Includes a neoprene cheek pad.
- 2** Monopod rail or optional bean bag riders.
- 3** Reverse folding buttstock offers bolt handle protection and ultra-compact transport.
- 4** Finger-grooved Cadex rubberized grip.
- 5** Oversized trigger guard and magazine release for easy manipulation with gloves.
- 6** 20 MOA full length dual top rail.
- 7** Made from aircraft grade 6061-T6 aluminum billets, anodized and painted with a military grade non-reflective paint.
- 8** Detachable base provides easy trigger access for maintenance and trigger adjustment. This allows the platform to maintain zero. Made of aluminum.
- 9** Optional centre accessory rail kit (2) - Not shown.
- 10** Spare screws.
- 11** Optional centre bipod rail or tripod adaptor.
- 12** Heavy Duty fore-end tube providing rail placement at 3, 6 and 9 o'clock (included with a flush cup).
- 13** Maximum barrel diameter 1.800".

- Available with skeleton stock.
- Multiple interchangeable magazine sleeves are available to fit most AICS magazines on the market.
- See all colors available (P. 6-7).
- Accessories table (P. 66).

COMPATIBILITY CHART	RIMFIRES	SHORT ACTION CALIBERS			LONG ACTION CALIBERS			XL ACTION CALIBERS		
	RIMFIRE	Bolt face "A" (.385") SHORT	Bolt face "B" (.480") STANDARD	Bolt face "C" (.550") SHORT MAGNUM	Bolt face "B" (.480") LONG STANDARD	Bolt face "C" (.550") LONG MAGNUM	Bolt face "D" (.600") SUPER MAGNUM	BOLT FACE "E" (.670") SPECIALTY	BOLT FACE "F" (.825") SPECIALTY	
	22 LR	204 Ruger, 222 Rem, 223 Rem, 5.56mm, 300 Whisper/Blackout	22-250 Rem, 243 Win, 6 BR Norma, 6 Dasher, 6 Creedmoor, 6x47 Lapua, 6.5x47 Lapua, 6.5 Creedmoor, 260 Rem, 7mm-08 Rem, 308 Win	6.5 PRC, 270 WSM, 7 WSM, 300 WSM	220 Swift, 25-06 Rem, 6.5x55 Swedish, 270 Win, 30-06 SPRG	7 Rem Mag, 7 RUM, 28 Nosler, 300 Win Mag, 300 PRC, 300 RUM, 338 Win, 338 RUM	300 Norma Mag, 338 Norma Mag, 338 Lapua Mag	375 EnABELR, 375 CT, 408 CT	416 Barrett®, 50 BMG	
	<b>MAG TYPE</b> AICS DSSF 3.055"	<b>MAG TYPE</b> AICS DSSF 3.055"			<b>MAG TYPE</b> AICS SSSF 3.715", 3.775" or 3.850" CIP			<b>MAG TYPE</b> AICS SSSF 3.715", 3.775" or 3.850" CIP	<b>MAG TYPE</b> CADEX DSSF magazines	<b>MAG TYPE</b> CADEX SSSF magazines
Cadex Defence®	N/A	N/A			N/A			N/A	CDX-40 SHDW	CDX-50 TREMOR®
Remington®	N/A	REM 700 SA (6-48)			REM 700 LA (6-48)			REM 700 LA (8-40)	N/A	
Stiller®	N/A	PREDATOR SHORT (6-48), TAC-30 (8-40)			PREDATOR LONG (6-48), TAC-300 (8-40)			TAC-338 (8-40)	TAC-408	N/A
McMillan®	N/A	N/A			N/A			N/A		
Vudoo®	V-22 Repeater	N/A			N/A			N/A		
Surgeon®		Discontinued, contact Cadex for availability.								
Defiance Machine®		Discontinued, contact Cadex for availability.								

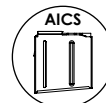
NSN#: 1005-20-009-7990 (for STKDL-MCM-RH-50)

## COMPATIBLE OPTIONAL ACCESSORIES



For any Rem 700 Custom Clones, contact Cadex to validate compatibility prior to order.

# LITE STRIKE



Also available in **SINGLE SHOT** configuration for CDX-30/300/33SS actions



The Lite Strike is the refinement of our Dual Strike flagship model. It is the same chassis system but with emphasis on weight reduction. The Lite Strike is exactly 1 pound lighter than its predecessor and features a smaller contour fore-end tube with the same rail capabilities. Its versatility makes it very popular among worldwide special forces units as it suits perfectly the various models of 7.62x51 and 338 Lapua Mag sniper rifles they deploy with.



Available with skeleton stock

- 1** Tool-free fully adjustable stock for length of pull, cheek piece and recoil pad height. Includes a neoprene cheek pad.
  - 2** Monopod rail or optional bean bag riders.
  - 3** Reverse folding buttstock offers bolt handle protection and ultra-compact transport.
  - 4** Finger-grooved Cadex rubberized grip.
  - 5** Oversized trigger guard and magazine release for easy manipulation with gloves.
  - 6** 20 MOA full length top rail.
  - 7** Made from aircraft grade 6061-T6 aluminum billets, anodized and painted with a military grade non-reflective paint.
  - 8** Detachable base provides easy trigger access for maintenance and trigger adjustment. This allows the platform to maintain zero. Made of aluminum.
  - 9** Optional centre accessory rail kit (2) - Not shown.
  - 10** Spare screws.
  - 11** Optional centre bipod rail or tripod adaptor.
  - 12** Heavy Duty fore-end tube providing rail placement at 3, 6 and 9 o'clock (included with a flush cup).
  - 13** Maximum barrel diameter 1.350".
- Available with skeleton stock.
  - Multiple interchangeable magazine sleeves are available to fit most AICS magazines on the market.
  - See all colors available (P. 6-7).
  - Accessories table (P. 66).

COMPATIBILITY CHART	SHORT ACTION CALIBERS			LONG ACTION CALIBERS		XL ACTION CALIBERS
	Bolt face "A" (.385") SHORT	Bolt face "B" (.480") STANDARD	Bolt face "C" (.550") SHORT MAGNUM	Bolt face "B" (.480") LONG STANDARD	Bolt face "C" (.550") LONG MAGNUM	Bolt face "D" (.400") SUPER MAGNUM
	204 Ruger, 222 Rem, 223 Rem, 5.56mm, 300 Whisper/Blackout	22-250 Rem, 243 Win, 6 BR Norma, 6 Dasher, 6 Creedmoor, 6x47 Lapua, 6.5x47 Lapua, 6.5 Creedmoor, 260 Rem, 7mm-08 Rem, 308 Win	6.5 PRC, 270 WSM, 7 WSM, 300 WSM	220 Swift, 25-06 Rem, 6.5x55 Swedish, 270 Win, 30-06 SPRG	7 Rem Mag, 7 RUM, 28 Nosler, 300 Win Mag, 300 PRC, 300 RUM, 338 Win, 338 RUM	300 Norma Mag, 338 Norma Mag, 338 Lapua Mag
	<b>MAG TYPE</b> AICS DSSF 3.055"			<b>MAG TYPE</b> AICS SSSF 3.715", 3.775" or 3.850" CIP		<b>MAG TYPE</b> AICS SSSF 3.715", 3.775" or 3.850" CIP
Cadex Defence®	CDX-SS SEVEN S.T.A.R.S.	CDX-SS SEVEN S.T.A.R.S., CDX-R7 SHP SA, CDX-30	CDX-R7 SHP SA, CDX-30	CDX-R7 SHP LA	CDX-R7 SHP LA, CDX-300	CDX-R7 SHP LA, CDX-33
Remington®		REM 700 SA (6-48)		REM 700 LA (6-48)		REM 700 LA (8-40)
Stiller®		PREDATOR SHORT (6-48), TAC-30 (8-40)		PREDATOR LONG (6-48), TAC-300 (8-40)		TAC-338 (8-40)
Tikka®						
Savage Arms®						

Discontinued, contact Cadex for availability. Model 10/11/12 Varmint/14/16/110/111/114/116.

**SHORT ACTION (SA)  
LONG ACTION (LA)**

**Dimensions:**  
(SA: 33.13") (LA: 34.05") x 2.57" x 8"

**Folded:**  
(SA: 24.37") (LA: 25.19") x 4.75" x 7.17"

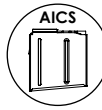
**Weight (±):**  
(SA: 6.24 lb) (LA: 6.39 lb)

## COMPATIBLE OPTIONAL ACCESSORIES

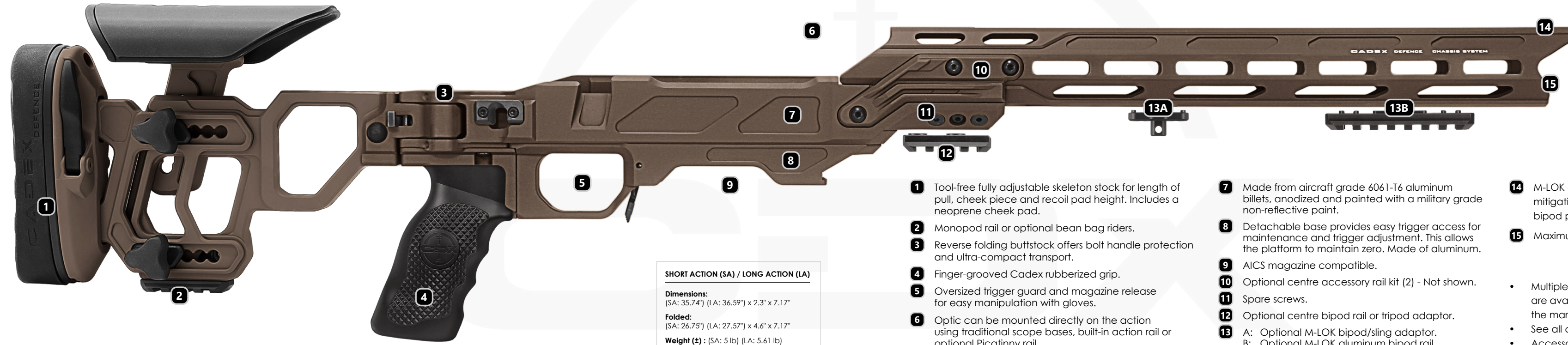


NSN#: 1005-20-011-2714 (for STKLT-PGW-RH-LA)

# LITE COMPETITION



The Lite Competition chassis features an open top design to easily adapt most Rem 700 custom clone actions. Perfect for custom actions with integrated top rail, it incorporates a longer mirage mitigation technology fore-end for more bipod placement possibilities. The fore-end tube is compatible with an infinite selection of M-LOK accessories. Perfect for custom rifle builds and PRS competitions, it combines lots of features required by the most demanding shooters in a folding stock configuration.



### SHORT ACTION (SA) / LONG ACTION (LA)

**Dimensions:**  
 (SA: 35.74") (LA: 36.59") x 2.3" x 7.17"  
**Folded:**  
 (SA: 26.75") (LA: 27.57") x 4.6" x 7.17"  
**Weight (±):** (SA: 5 lb) (LA: 5.61 lb)

- 1** Tool-free fully adjustable skeleton stock for length of pull, cheek piece and recoil pad height. Includes a neoprene cheek pad.
  - 2** Monopod rail or optional bean bag riders.
  - 3** Reverse folding buttstock offers bolt handle protection and ultra-compact transport.
  - 4** Finger-grooved Cadex rubberized grip.
  - 5** Oversized trigger guard and magazine release for easy manipulation with gloves.
  - 6** Optic can be mounted directly on the action using traditional scope bases, built-in action rail or optional Picatinny rail.
  - 7** Made from aircraft grade 6061-T6 aluminum billets, anodized and painted with a military grade non-reflective paint.
  - 8** Detachable base provides easy trigger access for maintenance and trigger adjustment. This allows the platform to maintain zero. Made of aluminum.
  - 9** AICS magazine compatible.
  - 10** Optional centre accessory rail kit (2) - Not shown.
  - 11** Spare screws.
  - 12** Optional centre bipod rail or tripod adaptor.
  - 13** A: Optional M-LOK bipod/sling adaptor.  
B: Optional M-LOK aluminum bipod rail.
  - 14** M-LOK competition fore-end tube featuring mirage mitigation technology. Longer tube for even more bipod positioning and stability.
  - 15** Maximum barrel diameter 1.350".
- Multiple interchangeable magazine sleeves are available to fit most AICS magazines on the market.
  - See all colors available (P. 6-7).
  - Accessories table (P. 66).

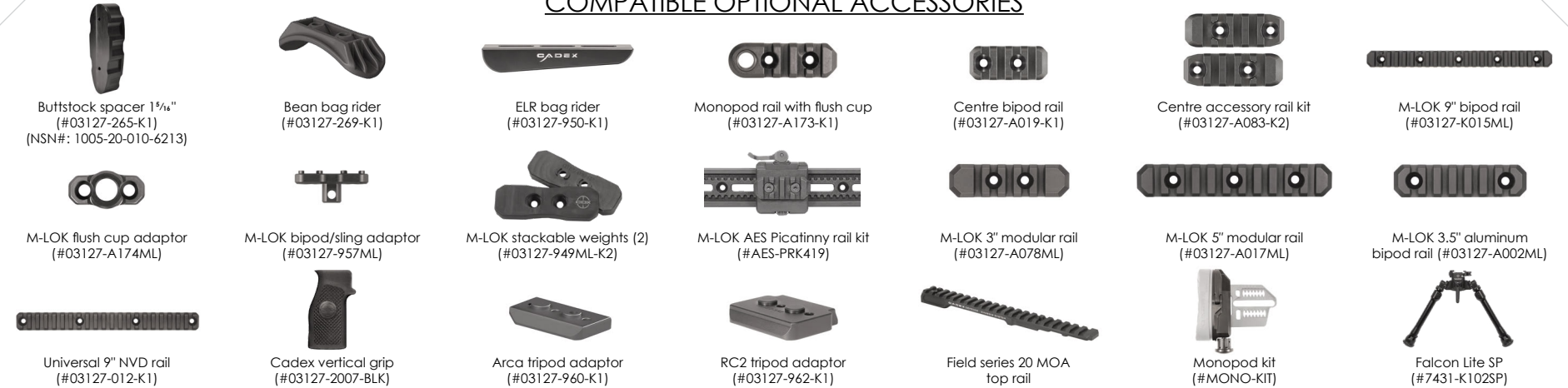
COMPATIBILITY CHART	RIMFIRES	SHORT ACTION CALIBERS			LONG ACTION CALIBERS		XL ACTION CALIBERS
	RIMFIRE	Bolt face "A" (.385") SHORT	Bolt face "B" (.480") STANDARD	Bolt face "C" (.550") SHORT MAGNUM	Bolt face "B" (.480") LONG STANDARD	Bolt face "C" (.550") LONG MAGNUM	Bolt face "D" (.600") SUPER MAGNUM
	MAG TYPE Vary based on action	MAG TYPE AICS DSSF 3.055"			MAG TYPE AICS SSSF 3.715", 3.775" or 3.850" CIP		MAG TYPE AICS SSSF 3.715", 3.775" or 3.850" CIP
Cadex Defence®	N/A	204 Ruger, 222 Rem, 223 Rem, 5.56mm, 300 Whisper/Blackout	22-250 Rem, 243 Win, 6 BR Norma, 6 Dasher, 6 Creedmoor, 6x47 Lapua, 6.5x47 Lapua, 6.5 Creedmoor, 260 Rem, 7mm-08 Rem, 308 Win	6.5 PRC, 270 WSM, 6.5x55 Swedish, 7 WSM, 300 WSM	220 Swift, 25-06 Rem, 6.5x55 Swedish, 270 Win, 30-06 SPRG	7 Rem Mag, 7 RUM, 28 Nosler, 300 Win Mag, 300 PRC, 300 RUM, 338 Win, 338 RUM	300 Norma Mag, 338 Norma Mag, 338 Lapua Mag
Remington®	N/A	CDX-SS SEVEN S.T.A.R.S.	CDX-SS SEVEN S.T.A.R.S., CDX-R7 SHP SA	CDX-R7 SHP SA	CDX-R7 SHP LA	CDX-R7 SHP LA	CDX-R7 SHP LA
Stiller®	N/A		REM 700 SA (6-48)	REM 700 SA (6-48)	REM 700 LA (6-48)	REM 700 LA (6-48)	REM 700 LA (6-48)
Surgeon®	N/A		PREDATOR SHORT (6-48), TAC-30 (8-40)	PREDATOR SHORT (6-48), TAC-30 (8-40)	PREDATOR LONG (6-48), TAC-300 (8-40)	PREDATOR LONG (6-48), TAC-300 (8-40)	TAC-338 (8-40)
Vudoo®	V-22 Repeater		591	1086	N/A	N/A	N/A
Tikka®			N/A	N/A	N/A	N/A	N/A
Savage Arms®							

Discontinued, contact Cadex for availability.

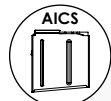
Discontinued, contact Cadex for availability. Model 10/11/12 Varmint/14/16/110/111/114/116.

For any Defiance Machine® or Rem 700 Custom Clones, contact Cadex to validate compatibility prior to order.

### COMPATIBLE OPTIONAL ACCESSORIES



# FIELD COMPETITION



The Field Competition chassis features an open top design to easily adapt most Rem 700 custom clone actions. Perfect for custom actions with integrated top rail, it incorporates a longer mirage mitigation technology fore-end for more bipod placement possibilities. The fore-end tube is compatible with an infinite selection of M-LOK accessories. Perfect for custom rifle builds and PRS competitions, it combines lots of features required by the most demanding shooters in a more economical fixed stock configuration.



### SHORT ACTION (SA) / LONG ACTION (LA)

**Dimensions:**  
(SA: 35.66") (LA: 36.51") x 2.3" x 7.17"  
**Weight (±):** (SA: 4.75 lb) (LA: 5.37 lb)

- 1 Tool-free fully adjustable skeleton stock for length of pull, cheek piece and recoil pad height. Includes a neoprene cheek pad.
  - 2 Cleaning rod opening for easier cleaning.
  - 3 Monopod rail or optional bean bag riders.
  - 4 Finger-grooved Cadex rubberized grip.
  - 5 Oversized trigger guard and magazine release for easy manipulation with gloves.
  - 6 Optic can be mounted directly on the action using traditional scope bases, built-in action rail or optional Picatinny rail.
  - 7 Made from aircraft grade 6061-T6 aluminum billets, anodized and painted with a military grade non-reflective paint.
  - 8 Detachable base provides easy trigger access for maintenance and trigger adjustment. This allows the platform to maintain zero. Made of aluminum.
  - 9 AICS magazine compatible.
  - 10 Optional centre accessory rail kit (2) - Not shown.
  - 11 Optional centre bipod rail or tripod adaptor (2018 and up production only).
  - 12 A: Optional M-LOK bipod/sling adaptor. B: Optional M-LOK aluminum bipod rail.
  - 13 M-LOK competition fore-end tube featuring mirage mitigation technology. Longer tube for even more bipod positioning and stability.
  - 14 Maximum barrel diameter 1.350".
- Multiple interchangeable magazine sleeves are available to fit most AICS magazines on the market.
  - See all colors available (P. 6-7).
  - Accessories table (P. 66).

COMPATIBILITY CHART	RIMFIRES	SHORT ACTION CALIBERS			LONG ACTION CALIBERS		XL ACTION CALIBERS
	RIMFIRE	Bolt face "A" (.385") SHORT	Bolt face "B" (.480") STANDARD	Bolt face "C" (.550") SHORT MAGNUM	Bolt face "B" (.480") LONG STANDARD	Bolt face "C" (.550") LONG MAGNUM	Bolt face "D" (.600") SUPER MAGNUM
	22 LR	204 Ruger, 222 Rem, 223 Rem, 5.56mm, 300 Whisper/Blackout	22-250 Rem, 243 Win, 6 BR Norma, 6 Dasher, 6 Creedmoor, 6x47 Lapua, 6.5x47 Lapua, 6.5 Creedmoor, 260 Rem, 7mm-08 Rem, 308 Win	6.5 PRC, 270 WSM, 6.5x55 Swedish, 270 Win, 30-06 SPRG	220 Swift, 25-06 Rem, 6.5x55 Swedish, 270 Win, 30-06 SPRG	7 Rem Mag, 7 RUM, 28 Nosler, 300 Win Mag, 300 PRC, 300 RUM, 338 Win, 338 RUM	300 Norma Mag, 338 Norma Mag, 338 Lapua Mag
			<b>MAG TYPE</b> AICS DSSF 3.055"	<b>MAG TYPE</b> AICS SSSF 3.715", 3.775" or 3.850" CIP	<b>MAG TYPE</b> AICS SSSF 3.715", 3.775" or 3.850" CIP		<b>MAG TYPE</b> AICS SSSF 3.715", 3.775" or 3.850" CIP
Cadex Defence®	N/A	CDX-SS SEVEN S.T.A.R.S.	CDX-SS SEVEN S.T.A.R.S., CDX-R7 SHP SA	CDX-R7 SHP SA	CDX-R7 SHP LA	CDX-R7 SHP LA	CDX-R7 SHP LA
Remington®	N/A		REM 700 SA (6-48)	REM 700 LA (6-48)	REM 700 LA (6-48)	REM 700 LA (8-40)	REM 700 LA (8-40)
Stiller®	N/A		PREDATOR SHORT (6-48), TAC-30 (8-40)	PREDATOR LONG (6-48), TAC-300 (8-40)	PREDATOR LONG (6-48), TAC-300 (8-40)	TAC-338 (8-40)	TAC-338 (8-40)
Surgeon®	N/A		591	1086	1086	N/A	N/A
Vudoo®	V-22 Repeater		N/A	N/A	N/A	N/A	N/A
Tikka®							
Savage Arms®							

Discontinued, contact Cadex for availability.

Discontinued, contact Cadex for availability. Model 10/11/12 Varmint/14/16/110/111/114/116.

For any Defiance Machine® or Rem 700 Custom Clones, contact Cadex to validate compatibility prior to order.

### COMPATIBLE OPTIONAL ACCESSORIES



# FIELD TACTICAL



The Field Tactical is a top choice for Law Enforcement units requiring a chassis system with full rail capability at a decent price point. It features a full length 20 MOA top rail and accessory rails at 3, 6 and 9 o'clock. The Field Tactical uses a fixed stock which makes it more budget friendly.

- 1** Tool-free fully adjustable skeleton stock for length of pull, cheek piece and recoil pad height. Includes a neoprene cheek pad.
  - 2** Cleaning rod opening for easier cleaning.
  - 3** Monopod rail or optional bean bag riders.
  - 4** Finger-grooved Cadex rubberized grip.
  - 5** Oversized trigger guard and magazine release for easy manipulation with gloves.
  - 6** Made from aircraft grade 6061-T6 aluminum billets, anodized and painted with a military grade non-reflective paint.
  - 7** AICS magazine compatible.
  - 8** Detachable base provides easy trigger access for maintenance and trigger adjustment. This allows the platform to maintain zero. Made of aluminum.
  - 9** 20 MOA full length top rail.
  - 10** Optional centre accessory rail kit (2) - Not shown.
  - 11** Optional centre bipod rail or tripod adaptor (2021 and up production only).
  - 12** Small contour fore-end tube providing rail placement at 3, 6 and 9 o'clock (included with a flush cup).
  - 13** Maximum barrel diameter 1.350".
- Multiple interchangeable magazine sleeves are available to fit most AICS magazines on the market.
  - See all colors available (P. 6-7).
  - Accessories table (P. 66).

COMPATIBILITY CHART	SHORT ACTION CALIBERS			LONG ACTION CALIBERS		XL ACTION CALIBERS
	Bolt face "A" (.385") SHORT	Bolt face "B" (.480") STANDARD	Bolt face "C" (.550") SHORT MAGNUM	Bolt face "B" (.480") LONG STANDARD	Bolt face "C" (.550") LONG MAGNUM	Bolt face "D" (.600") SUPER MAGNUM
	204 Ruger, 222 Rem, 223 Rem, 5.56mm, 300 Whisper/Blackout	22-250 Rem, 243 Win, 6 BR Norma, 6 Dasher, 6 Creedmoor, 6x47 Lapua, 6.5x47 Lapua, 6.5 Creedmoor, 260 Rem, 7mm-08 Rem, 308 Win	6.5 PRC, 270 WSM, 7 WSM, 300 WSM	220 Swift, 25-06 Rem, 6.5x55 Swedish, 270 Win, 30-06 SPRG	7 Rem Mag, 7 RUM, 28 Nosler, 300 Win Mag, 300 PRC, 300 RUM, 338 Win, 338 RUM	300 Norma Mag, 338 Norma Mag, 338 Lapua Mag
	<b>MAG TYPE</b> AICS DSSSF 3.055"			<b>MAG TYPE</b> AICS SSSF 3.715", 3.775" or 3.850" CIP		<b>MAG TYPE</b> AICS SSSF 3.715", 3.775" or 3.850" CIP
Cadex Defence®	CDX-SS SEVEN S.T.A.R.S.	CDX-SS SEVEN S.T.A.R.S., CDX-R7 SHP SA, CDX-30	CDX-R7 SHP SA, CDX-30	CDX-R7 SHP LA	CDX-R7 SHP LA, CDX-300	CDX-R7 SHP LA, CDX-33
Remington®	REM 700 SA (6-48)			REM 700 LA (6-48)		REM 700 LA (8-40)
Siller®	PREDATOR SHORT (6-48), TAC-30 (8-40)			PREDATOR LONG (6-48), TAC-300 (8-40)		TAC-338 (8-40)
Tikka®	<i>Discontinued, contact Cadex for availability.</i>					
Savage Arms®	<i>Discontinued, contact Cadex for availability. Model 10/11/12 Varmint/14/16/110/111/114/116.</i>					

**SHORT ACTION (SA)**  
**LONG ACTION (LA)**

**Dimensions:**  
(SA: 34") (LA: 34.76") x 2.57" x 8"

**Weight (±) :**  
(SA: 5.50 lb) (LA: 5.58 lb)

## COMPATIBLE OPTIONAL ACCESSORIES



Monopod kit (#MONO-KIT)



Monopod rail with flush cup (#03127-A173-K1)



Buttstock spacer 1 1/4" (#03127-265-K1)  
(NSN#: 1005-20-010-6213)



ELR bag rider (#03127-950-K1)



Bean bag rider (#03127-269-K1)



9" bipod rail (#03127-K015)



Centre bipod rail (#03127-A019-K1)



Centre accessory rail kit (#03127-A083-K2)



Cadex vertical grip (#03127-2007-BLK)



Arca tripod adaptor (#03127-960-K1)



RC2 tripod adaptor (#03127-962-K1)



AES Picatinny rail kit (#AES-PRK431)



10-32 weights (#03127-921-K2)



Spare magazines



Falcon QD (#7431-K015)

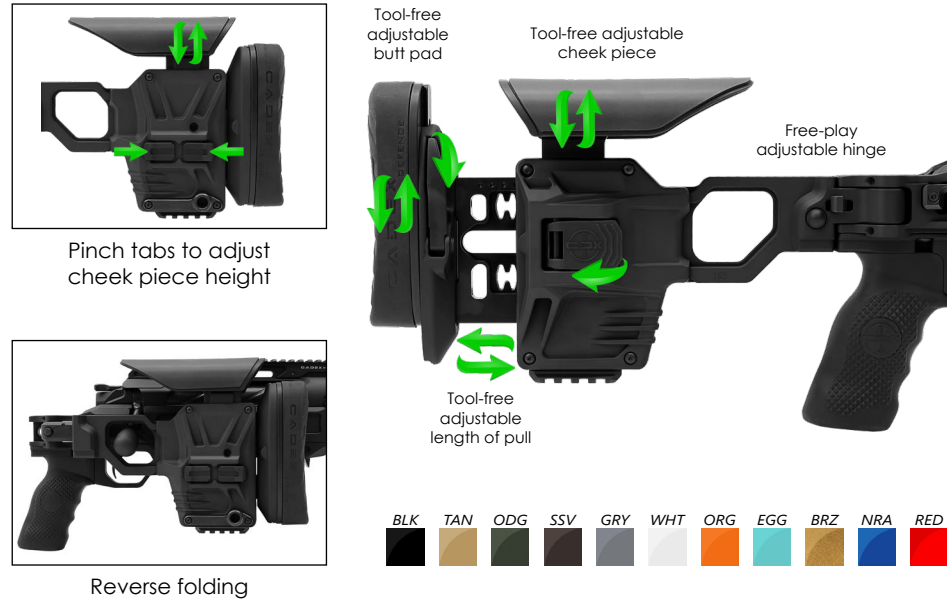


Falcon Lite SP (#7431-K102SP)

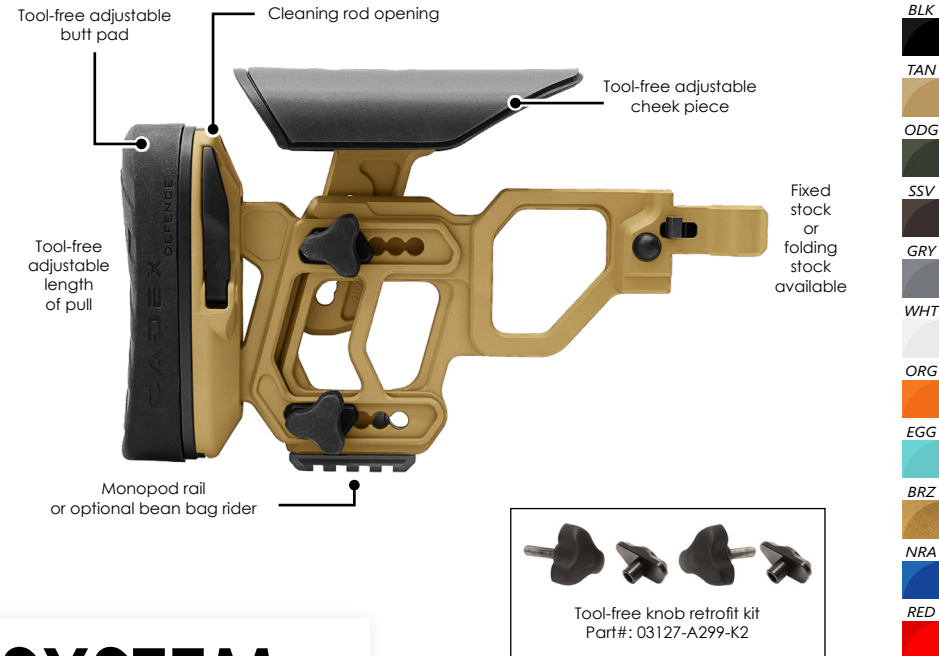
# BUTTSTOCK FEATURES

and optional accessories

## CADEX ORIGINAL BUTTSTOCK



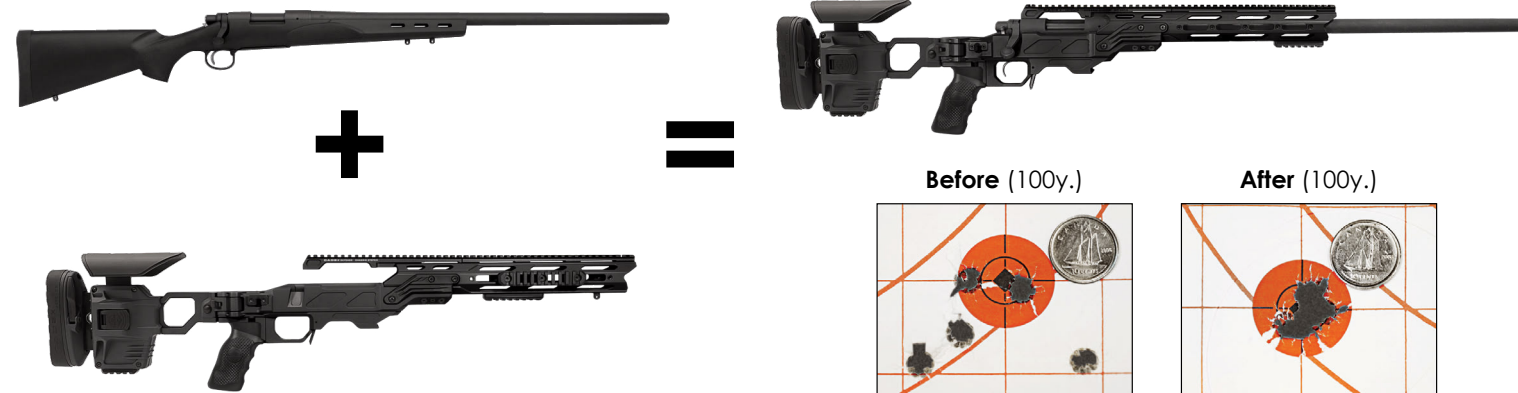
## CADEX SKELETON BUTTSTOCK



# MODULAR SYSTEM

Transform your hunting rifle into a precision rifle

- Accuracy improvement
- Increased stability
- Fits any AR style buttstock
- Fits most AR style grips
- Detachable magazine
- Reduces felt recoil
- 20 MOA rail for long distance shots
- Improved ergonomics
- Multiple accessory rails



# PRO BUTTSTOCK FEATURES

and optional accessories

## PRO BUTT PLATE CONVERSION KIT

The PRO butt plate conversion kit converts the small PRO butt pad to our standard (bigger) butt pad.

**SPECIFICATIONS**  
**PRO butt plate conversion kit**  
 Part#: 03127-A2052-K1

The Cadex PRO buttstock is the latest addition to our line-up of tool-free adjustable buttstocks designed for our rifles and chassis systems. It allows the shooter to rapidly adjust the length of pull, cheek riser height and butt plate positioning without any tools. The dimension of the buttstock has been slightly reduced and unnecessary weight has been removed. It also features our battle-proven reverse folding stock mechanism and its free-play adjustable hinge system which uses an off-set cam to prevent loosening that may develop over time. The PRO buttstock is compatible with all Cadex rifles\* and chassis equipped with a folding hinge and is offered in two variants depending on the action model.

\*Not compatible with CDX-40 SHDW, CDX-50 Tremor® & CDX-X60 rifles

\*Comes standard with long action. Short action available as an option.

## BUTT PAD SURFACE AREA

9.001 in<sup>2</sup>

6.290 in<sup>2</sup>



STANDARD butt pad



PRO butt pad

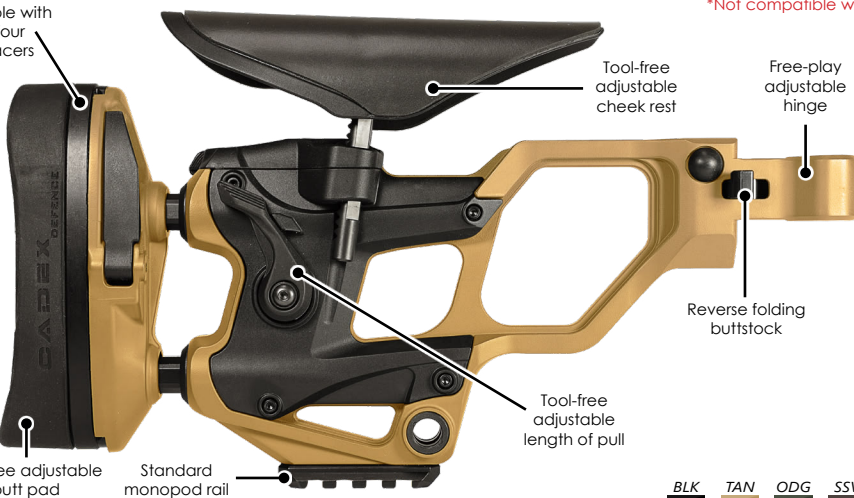


PRO BUTT PLATE CONVERSION KIT

Compatible with up to four 1/4" spacers

Tool-free adjustable butt pad

Standard monopod rail



## BUTTSTOCK RETROFIT KIT COMPATIBLE RIFLES

- Part#: 03127-A2058-K1
- CDX-R7 LITE/LCP/XS
- Part#: 03127-A2050-K1
- CDX-SS PRO/COVERT
  - CDX-30/300/33 LITE
  - CDX-MC KRAKEN®

Please contact Cadex prior to order to make sure it fits your model.

# ACCESSORIES

## CADEX RUBBERIZED GRIP

**SPECIFICATIONS**  
 Part#: 03127-1075-BLK  
**Dimensions:**  
 3.38" x 1.8" x 4.13"  
 8.59 x 4.57 x 10.49 cm  
**Weight (±):** 0.2 lb | 91 grams  
**Material:** Rubber



Featuring the CDX logo

## CADEX VERTICAL GRIP

**SPECIFICATIONS**  
 Part#: 03127-2007-BLK  
**Dimensions:**  
 2.53" x 1.77" x 4.13"  
 6.43 x 4.5 x 10.49 cm  
**Weight (±):** 0.22 lb | 102 grams  
**Material:** Rubber



Featuring the CDX logo

## CADEX RECOIL PADS

**SPECIFICATIONS**  
**Standard recoil pad**  
 Part#: 175-00087-BLK  
**TUNDRA/PRO recoil pad**  
 Part#: 03127-934-K1



Featuring the CDX logo

# FEATURES & COMPATIBLE ACCESSORIES

		CDX		BUTSTOCK MODEL				BUTSTOCK FEATURES				BUTSTOCK COMPATIBLE ITEMS				CHASSIS COMPATIBLE ITEMS				COMPATIBLE RAILS & ADAPTORS																				
				CADEX STOCK	SKELETON STOCK	PRO STOCK	XTREME STOCK	MICRO CHASSIS	ADJUSTABLE BUT PAD	ADJUSTABLE CHECK REST	ADJUSTABLE LENGTH OF PULL	STANDARD MONOPOD RAIL	BUTSTOCK SPACER 1.5/16"	BUTSTOCK SPACERS KIT 1/4"	MONOPOD KIT	MONOPOD RAIL WITH FLUSH CUP	BUTSTOCK SLING WITH BEAN BAG RIDER	ELR BAG RIDER	ARCA TRIPOD ADAPTOR	RC2 TRIPOD ADAPTOR	CENTRE BIPOD ADAPTOR	CENTRE BIPOD RAIL	CENTRE ACCESSORY RAIL KIT (2)	NIGHT VISION CAPABILITY	CADEX VERTICAL GRIP	OP FLUSH CUP ADAPTOR	BIPOD SLING ADAPTOR	ARCA ELITE SYSTEM (AES)	3" MODULAR PICATINNY RAIL	3.5" BIPOD PICATINNY RAIL	5" MODULAR PICATINNY RAIL	7" BIPOD PICATINNY RAIL	UNIVERSAL 1.5" BIPOD PICATINNY RAIL	FORE-END WEIGHTS	BUTSTOCK WEIGHTS					
RIFLE MODELS	FOLDING STOCK	CDX-R7 XS			•			•	•	•	•		Optional	Optional		Optional	Optional	Optional	Optional	Optional	Optional	Optional	Optional	Optional	Optional	Optional	Optional	Optional	Optional	Optional	Optional	Optional	Optional	Optional	Optional					
		CDX-R7 LCP (LITE COMP)	•				•	•	•	•			Optional	Optional	Optional	Optional	Optional	Optional	Optional	Optional	Optional	Optional	Optional	Optional	Optional	Optional	Optional	Optional	Optional	Optional	Optional	Optional	Optional	Optional	Optional					
		CDX-SS SEVEN S.T.A.R.S. PRO		•			•	•	•	•			Optional	Optional	Optional	Optional	Optional	Optional	Optional	Optional	Optional	Optional	Optional	Optional	Built-in	Optional	Optional	Optional	Optional	Optional	Optional	Optional	Optional	Optional	Optional	Optional				
		CDX-SS SEVEN S.T.A.R.S. COVERT		•			•	•	•	•			Optional	Optional	Optional	Optional	Optional	Optional	Optional	Optional	Optional	Optional	Optional	Optional	Optional	Optional	Optional	Optional	Optional	Optional	Optional	Optional	Optional	Optional	Optional	Optional	Optional			
		CDX-MC KRAKEN® (MULTI-CALIBER)	•	Optional			•	•	•	•			Optional	Optional	Optional	Optional	Optional	Optional	Optional	Optional	Optional	Optional	Optional	Optional	Optional	Optional	Optional	Optional	Optional	Optional	Optional	Optional	Optional	Optional	Optional	Optional	Optional			
		CDX-30/300/33 LITE	•	Optional			•	•	•	•			Optional	Optional	Optional	Optional	Optional	Optional	Optional	Optional	Optional	Optional	Optional	Optional	Optional	Optional	Optional	Optional	Optional	Optional	Optional	Optional	Optional	Optional	Optional	Optional	Optional			
		X-LITE SERIES			•		•	•	•	•			Optional	Optional	Optional	Optional	Optional	Optional	Optional	Optional	Optional	Optional	Optional	Optional	Optional	Optional	Optional	Optional	Optional	Optional	Optional	Optional	Optional	Optional	Optional	Optional	Optional			
		CDX-40 SHDW	•	Optional			•	•	•	•			Optional	Optional	Optional	Optional	Optional	Optional	Optional	Optional	Optional	Optional	Optional	Optional	Optional	Optional	Optional	Optional	Optional	Optional	Optional	Optional	Optional	Optional	Optional	Optional	Optional	Optional		
		CDX-50 TREMOR®	•	Optional			•	•	•	•			Optional	Optional	Optional	Optional	Optional	Optional	Optional	Optional	Optional	Optional	Optional	Optional	Optional	Optional	Optional	Optional	Optional	Optional	Optional	Optional	Optional	Optional	Optional	Optional	Optional	Optional		
		CDX-X60			•		•	•	•	•			Optional	Optional	Optional	Optional	Optional	Optional	Optional	Optional	Optional	Optional	Optional	Optional	Optional	Optional	Optional	Optional	Optional	Optional	Optional	Optional	Optional	Optional	Optional	Optional	Optional	Optional		
RIFLE MODELS	FIXED STOCK	CDX-R7 CRBN (CARBON)				•				Spacers optional			Optional																						Optional					
		CDX-R7 SPTR (SPORTER)				•				Spacers optional			Optional	Optional																						Optional				
		CDX-R7 SHP				•	•	•	•	Spacers optional			Optional	Optional	Optional	Optional	Optional	Optional	Optional	Optional	Optional	Optional	Optional	Optional	Optional	Optional	Optional	Optional	Optional	Optional	Optional	Optional	Optional	Optional	Optional	Optional	Optional	Optional		
		CDX-R7 FCP (FIELD COMP)	•				•	•	•	•			Optional	Optional	Optional	Optional	Optional	Optional	Optional	Optional	Optional	Optional	Optional	Optional	Optional	Optional	Optional	Optional	Optional	Optional	Optional	Optional	Optional	Optional	Optional	Optional	Optional	Optional	Optional	
		CDX-30/300/33 TAC	•				•	•	•	•			Optional	Optional	Optional	Optional	Optional	Optional	Optional	Optional	Optional	Optional	Optional	Optional	Optional	Optional	Optional	Optional	Optional	Optional	Optional	Optional	Optional	Optional	Optional	Optional	Optional	Optional	Optional	
CHASSIS MODELS	FOLDING STOCK	CDX-BMG QUAKE				•	•	•	•	Spacers optional			Optional	Optional	Optional	Optional	Optional	Optional	Optional	Optional	Optional	Optional	Optional	Optional	Optional	Optional	Optional	Optional	Optional	Optional	Optional	Optional	Optional	Optional	Optional	Optional	Optional	Optional		
		STRIKE PRO (STKPRO)			•		•	•	•	•			Optional	Optional	Optional	Optional	Optional	Optional	Optional	Optional	Optional	Optional	Optional	Optional	Built-in	Optional	Optional	Optional	Optional	Optional	Optional	Optional	Optional	Optional	Optional	Optional	Optional	Optional	Optional	
		STRIKE XS (STKXS)			•		•	•	•	•			Optional	Optional	Optional	Optional	Optional	Optional	Optional	Optional	Optional	Optional	Optional	Optional	Optional	Optional	Optional	Optional	Optional	Optional	Optional	Optional	Optional	Optional	Optional	Optional	Optional	Optional	Optional	
		DUAL STRIKE (STKDL)	•	Optional			•	•	•	•			Optional	Optional	Optional	Optional	Optional	Optional	Optional	Optional	Optional	Optional	Optional	Optional	Optional	Optional	Optional	Optional	Optional	Optional	Optional	Optional	Optional	Optional	Optional	Optional	Optional	Optional	Optional	
		LITE STRIKE (STKLT)	•	Optional			•	•	•	•			Optional	Optional	Optional	Optional	Optional	Optional	Optional	Optional	Optional	Optional	Optional	Optional	Optional	Optional	Optional	Optional	Optional	Optional	Optional	Optional	Optional	Optional	Optional	Optional	Optional	Optional	Optional	
		LITE COMPETITION (STKLCP)	•				•	•	•	•			Optional	Optional	Optional	Optional	Optional	Optional	Optional	Optional	Optional	Optional	Optional	Optional	Optional	Optional	Optional	Optional	Optional	Optional	Optional	Optional	Optional	Optional	Optional	Optional	Optional	Optional	Optional	
	CHASSIS MODELS	FIXED STOCK	TUNDRA STRIKE (STKTUN)				•				Spacers optional			Optional	Optional																						Optional			
			STRIKE NUKE (STKNUK)				•	•	•	•	Spacers optional			Optional	Optional	Optional	Optional	Optional	Optional	Optional	Optional	Optional	Optional	Optional	Optional	Optional	Optional	Optional	Optional	Optional	Optional	Optional	Optional	Optional	Optional	Optional	Optional	Optional	Optional	Optional
			FIELD COMPETITION (STKFCP)	•				•	•	•	•			Optional	Optional	Optional	Optional	Optional	Optional	Optional	Optional	Optional	Optional	Optional	Optional	Optional	Optional	Optional	Optional	Optional	Optional	Optional	Optional	Optional	Optional	Optional	Optional	Optional	Optional	Optional
			FIELD TACTICAL (STKFT)	•				•	•	•	•			Optional	Optional	Optional	Optional	Optional	Optional	Optional	Optional	Optional	Optional	Optional	Optional	Optional	Optional	Optional	Optional	Optional	Optional	Optional	Optional	Optional	Optional	Optional	Optional	Optional	Optional	Optional

# LIMITED LIFETIME WARRANTY

At Cadex Defence we take a great sense of pride in the products that we design and produce as well as our customer service. If you are experiencing any problems, we appreciate your understanding with the situation and we will do what is right to help you as we really care for our customers.

We warrant products manufactured by Cadex Inc. to be free of defects in material or workmanship/manufacturing for **one year** following the initial owner's purchase. Cadex Defence reserves the right to cover under warranty, at its own discretion, its products for the **lifetime** of the product if we feel that it didn't meet our high standards of performance. Cadex reserves the right to use its discretion to warranty its products in special scenarios that have or may present themselves that are not noted in this document.

Cosmetic wear and normal wear items including but not limited to the barrel, extractors, ejectors, and springs are not covered by the warranty and it is the responsibility of the owner to assure the weapon is properly maintained.

Your Cadex Defence product was manufactured to perform properly with the original parts as designed. Altering or modifying parts is dangerous and will void the warranty. It is your responsibility to make sure any parts you install are made for this firearm, installed correctly, and that neither the originals nor the replacement parts are altered or changed. Firearms are complex precision tools with many parts that must operate correctly with other parts in order to maintain proper and safe operation. Putting your firearm together improperly or with incorrect or modified parts can result in a damaged firearm, serious personal injury, or death to you and/or others through malfunction. Always have a qualified armorer or gunsmith work on your Cadex Defence system or other firearms.

You can contact us via email or toll free at the contact information listed below.

Please have the following information ready:

- Product Model
- Date of Purchase
- Name
- Email
- Serial Number
- Point of Purchase
- Address
- Phone number

**CADEX INC.**  
 755 Avenue Montrichard, St-Jean-sur-Richelieu, Quebec, Canada, J2X 5K8  
[customerservice@cadexinc.com](mailto:customerservice@cadexinc.com)  
 450-348-6774 (CANADA) • 802-466-4003 (USA)  
 Toll free: 1-888-348-6774



### A message from the owner

For Cadex, customer satisfaction is very important.

If you experience a problem with one of our dealers or distributors don't wait for the situation to get worse before bringing it to our attention. We firmly believe that with good communication and a little goodwill from both sides we will be able to find a solution to your problem.

Please contact us as soon as possible if you ever encounter any issues with one of our products.

- Serge Dextraze, Cadex CEO

# BARREL SELECTION

In order to offer the best extreme range SUB-MOA precision rifles, we selected some of the best barrels on the market. As every barrel design has its strengths and weaknesses, we coupled each specific barrel to a specific application. The ELR shooter is looking for a heavy and extremely stiff bull barrel capable of giving him the extreme range stability that he's looking for. The weekend shooting range enthusiast is looking for the "best bang for your buck" barrel capable of consistently producing tight groups while remaining stable under heat. The back country hunter is looking for a lightweight hunting profiled barrel capable of delivering one perfectly placed shot. If you select the right barrel for the right application you won't be disappointed by any of these top of the line picks.



## CADEX BARRELS

After years of making barrels from steel blanks of various barrel makers, we realized that it was not rocket science and once equipped with the best machines, we'd be able to produce the best barrels. A million dollar investment later, we are producing our own barrels in-house using state-of-the-art equipment from Unisig USA. We are not using some old refurbished 1950's gun drills like most other barrel makers; we are talking here about the latest technology in deep hole drilling, producing the tightest tolerances in the industry. Our barrels are drilled in one single operation, stress relieved for stability, contoured, chambered and fluted on CNC machines, lapped and "air gap" tested for concentricity to finish. Our in-house barrels are definitely superior to the barrels that we were sourcing for years. These are guaranteed to produce SUB-MOA groups with quality match grade ammo.

## BUTTON RIFLING



## BARTLEIN® BARRELS

Bartlein® barrels are known to use the most advanced single point cut rifling process in the industry. Their barrels are top notch and there's a good chance that their performance will outshoot your shooting skills, at least in the early stage of your shooting learning curve. When you buy a Bartlein®, you buy peace of mind. Backed by their great reputation, you know that if something ever goes wrong with your rifle, there's very low chances that it will come from your barrel. We equip most of our rifles with Bartlein® barrels because it's a guarantee of quality.

## SINGLE POINT CUT RIFLING



## BARTLEIN® CARBON FIBER BARRELS

Bartlein® carbon fiber wrapped barrels are everything you would expect from a Bartlein® barrel. They produce exceptional performance and consistency. Carbon wrapped barrels are about 25% lighter than conventional stainless steel barrels of the same contour. We selected the 5R single point cut rifling technology for easier cleaning and reduced projectile deformation. Oriented strand wrapping technique produces the most consistent barrels on the market. If you are looking for the stability of a bull barrel without the extra weight, the Bartlein® carbon fiber barrel is the perfect choice.



# BARRELED ACTIONS

Cadex is known to produce the best chassis systems on the market. Our quality has no match in the industry but we understand that some customers may not have the same budget and needs as the military. Some also prefer the feel and look of a good old fashioned fiberglass stock even if the build process is much more complex than a bolt-on chassis system. Others prefer to inlet their own wood stocks... This is why Cadex is offering barreled actions.

Barreled actions are available on request and since variants are almost infinite, we recommend that you contact our customer service department to find answers to your questions. Our staff are highly knowledgeable and will be able to provide you with professional advice to ensure the success of your new project.

If we offer it as a complete rifle, then it is available as a barreled action.

## BARREL SELECTION

- Cadex button rifling straight taper fluted match grade barrels
- Bartlein® single point cut rifling straight taper fluted match grade barrels
- Bartlein® carbon fiber barrels (for the CDX-R7 SHP Hunting Series action only)

ACTION MODEL	ACTION TYPE	FOOTPRINT	ACTION DIA.	BOLT TYPE	BARREL TYPE	MATERIAL	TYPE	PROFILE	FLUTING
CDX-SS SEVEN S.T.A.R.S.	REPEATER	REM 700	1.350"	Fast 3 lug 60° bolt throw fluted bolt design. Perfect for PRS competitions. (See all specs at P. 70)	BARTLEIN	STAINLESS	SINGLE POINT CUT	SEMI-BULL	YES
CDX-R7 SHP HUNTING SERIES	REPEATER	REM 700	1.350"	Ultra-fast 4 lug 50° bolt throw low profile fluted fat bolt design. Designed for hunters. (See all specs at P. 71)	CADEX	STAINLESS	BUTTON RIFLING	SPORTER	YES
CDX-R7 SHP HUNTING SERIES	REPEATER	REM 700	1.350"	Ultra-fast 4 lug 50° bolt throw low profile fluted fat bolt design. Designed for hunters. (See all specs at P. 71)	BARTLEIN	STAINLESS	SINGLE POINT CUT	SPORTER	YES
CDX-R7 SHP HUNTING SERIES	REPEATER	REM 700	1.350"	Ultra-fast 4 lug 50° bolt throw low profile fluted fat bolt design. Designed for hunters. (See all specs at P. 71)	BARTLEIN CARBON FIBER	CARBON FIBER	SINGLE POINT CUT	SEMI-BULL	NO
CDX-R7 SHP SERIES	REPEATER	REM 700	1.350"	Ultra-fast 4 lug 50° bolt throw fluted fat bolt design. Perfect for PRS competitions. (See all specs at P. 71)	CADEX	STAINLESS	BUTTON RIFLING	SEMI-BULL	YES
CDX-R7 SHP SERIES	REPEATER	REM 700	1.350"	Ultra-fast 4 lug 50° bolt throw fluted fat bolt design. Perfect for PRS competitions. (See all specs at P. 71)	BARTLEIN	STAINLESS	SINGLE POINT CUT	SEMI-BULL	YES
CDX-30/300/33 SERIES	REPEATER	CADEX	1.550"	3 lug 60° short bolt throw Sako® style fluted bolt design. Extremely rigid, smooth and stylish. (See all specs at P. 72)	BARTLEIN	STAINLESS	SINGLE POINT CUT	BULL BARREL	YES
CDX-30/300/33SS SERIES	SINGLE SHOT	CADEX	1.550"	Single shot 3 lug 60° short bolt throw Sako® style fluted bolt design. Extremely rigid, smooth and stylish. (See all specs at P. 44 & 72)	BARTLEIN	STAINLESS	SINGLE POINT CUT	BULL BARREL	YES
CDX-40 SHDW	REPEATER	CADEX	1.600"	3 lug 60° short bolt throw fluted fat bolt design. (See all specs at P. 73)	BARTLEIN	STAINLESS	SINGLE POINT CUT	BULL BARREL	YES
CDX-40SS SHDW	SINGLE SHOT	CADEX	1.600"	Single shot 3 lug 60° short bolt throw fluted fat bolt design. (See all specs at P. 44 & 73)	BARTLEIN	STAINLESS	SINGLE POINT CUT	HEAVY BULL BARREL	NO
CDX-50 TREMOR®	REPEATER	CADEX	1.960"	4 lug 50° short bolt throw fluted fat bolt design. Strongest 50 BMG repeater action on the market due to its single stack magazine. (See all specs at P. 73)	BARTLEIN	STAINLESS	SINGLE POINT CUT	BULL BARREL	YES
CDX-50SS TREMOR®	SINGLE SHOT	CADEX	1.960"	Single shot 4 lug 50° short bolt throw fluted fat bolt design. (See all specs at P. 44 & 73)	BARTLEIN	STAINLESS	SINGLE POINT CUT	HEAVY BULL BARREL	NO
CDX-X60	REPEATER	CADEX	2.400"	4 lug 50° short bolt throw fluted fat bolt design. (See all specs at P. 75)	BARTLEIN	STAINLESS	SINGLE POINT CUT	HEAVY BULL BARREL	YES



# CDX-SS SEVEN S.T.A.R.S.

Rem 700 footprint - Custom actions

## DLC COATING



Shown with optional tactical bolt knob

"A" group bolt face (Ø 0.385") 3 lug - 60°

"B" group bolt face (Ø 0.480") 3 lug - 60°

Bolt shown with round bolt knob

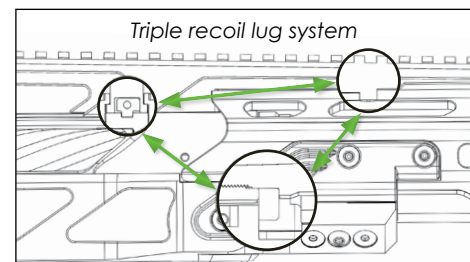
## RECEIVER

- Machining: CNC and wire EDM
- Material: Stainless 416
- Length: 7.855"
- Diameter: 1.350"
- Thread: 1½" - 18 TPI
- Hardness: 41-43 HRC
- Deep laser engraving markings
- Cerakote finish (see colors P. 6-7)
- .250" hardened steel recoil lug
- 20 MOA stainless steel top rail with unique localization system machined into the action upper section
- Cadex proprietary bolt stop
- 8-40 top rail screws
- Short Action: AICS DSSF 3.055"
- Perfect Rem 700 footprint (no modification required)
- Compatible with the Cadex DX2 EVO trigger or some Rem Style aftermarket triggers

## BOLT

- Machining: CNC
- Material: Stainless 416
- Cadex heavy duty extractor
- Ejector: Rem Style
- Hardness: 43-45 HRC
- Round and tactical interchangeable bolt knobs (low profile hunting knob available on request)
- Shroud with cocking indicator
- Multiple bolt faces available: Type A (.385"), B (.480")
- DLC coated spiral fluted 3 lug bolt with 60° bolt throw
- Optimized for most popular PRS competition calibers such as 6 BR Norma, 6 Dasher, 6 Creedmoor, 6.5 Creedmoor up to 308 Win

**Barrel Diameter**  
Min.: 1.200" Max.: 1.250"



✓ Small Rifle Primer (SRP) ✓ Large Rifle Primer (LRP)

# CDX-R7 SERIES

Rem 700 footprint - Custom actions

## DLC COATING



- Also available in left handed variant
- CDX-R7 Hunting variant also available

"B" group bolt face (Ø 0.480") 4 lug - 50°

"C" group bolt face (Ø 0.550") 4 lug - 50°

"D" group bolt face (Ø 0.600") 4 lug - 50°

Interchangeable top rails with unique localization system machined into the upper section

## RECEIVER

- Machining: CNC
- Material: Stainless 416
- Short Action length: 7.85" Long Action length: 8.70"
- Diameter: 1.350"
- Thread: 1½" - 18 TPI
- Hardness: 41-43 HRC
- Deep laser engraving markings
- Cerakote finish (see colors P. 6-7)
- .250" hardened steel recoil lug
- 20 MOA stainless steel Picatinny rail (optional 0, 30 MOA)
- 8-40 top rail screws
- Cadex proprietary heavy duty bolt stop and pin
- Short Action: AICS DSSF 3.055" Long Action: AICS up to 3.850" CIP (No modification required)
- Compatible with the Cadex DX2 EVO trigger or some Rem style aftermarket triggers

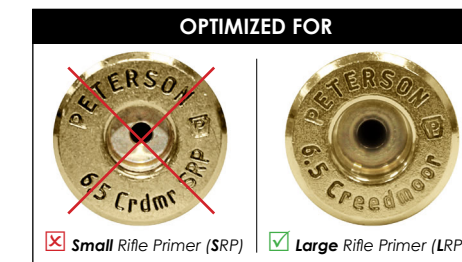
## BOLT

- Machining: CNC
- Material: Stainless 416
- Cadex heavy duty extractor
- Ejector: Rem style
- Tool-free bolt disassembly
- Hardness: 43-45 HRC
- Multiple bolt faces available: Type B (.480"), C (.550"), D (.600")
- Shroud with cocking indicator
- Cadex design cocking piece
- Round and tactical interchangeable bolt knobs (low profile hunting knob available on request)
- DLC coated spiral fluted 4 lug bolt with 50° bolt throw for ultra-fast cycling
- Not recommended for small rifle primers

**Barrel Diameter**  
Min.: 1.200" Max.: 1.250"



Compatible with any Cadex chassis for R7 actions



✗ Small Rifle Primer (SRP) ✓ Large Rifle Primer (LRP)



Bolt shown with round bolt knob

**REPEATER**   
or **SINGLE SHOT** 

# CDX-30/300/33

Custom actions

**DLC COATING**



Shown with optional tactical bolt knob



"B" group bolt face  
(Ø 0.480") 3 lug - 60°



"C" group bolt face  
(Ø 0.550") 3 lug - 60°



"D" group bolt face  
(Ø 0.600") 3 lug - 60°



Bolt shown with tactical bolt knob

## RECEIVER

- Machining: CNC and wire EDM
- Material: Stainless 416
- Length: Long action 9"
- Diameter: 1.550"
- Thread: 1 1/8" - 18 TPI
- Hardness: 41-43 HRC
- .350" hardened steel recoil lug
- Deep laser engraving markings
- 8-40 top rail screws
- Cerakote finish (see colors P. 6-7)

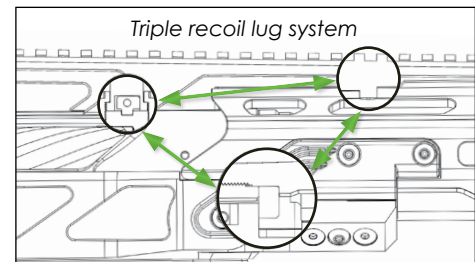
- 20 MOA stainless steel Picatinny rail
- Cadex proprietary heavy duty bolt stop and pin
- Unique top rail localization system with integrated recoil groove machined into the action upper section
- Short Action: AICS DSSF  
Long Action: AICS SSSF
- Cadex proprietary footprint
- Compatible with the Cadex DX2 EVO trigger or some Rem Style aftermarket triggers

## BOLT

- Machining: CNC
- Material: Stainless 416
- Firing pin: Cadex design with improved locktime
- Cadex heavy duty extractor
- Ejector: Rem style
- Easy 1/4 turn tool-free bolt disassembly
- Hardness: 43-45 HRC
- Multiple bolt faces available: Type B (.480"), C (.550"), D (.600")
- Cadex design cocking piece

- DLC coated spiral fluted 3 lug bolt with 60° bolt throw
- Shroud: Cadex design with 2 position top safety
- Round and tactical interchangeable bolt knobs
- Easy firing pin assembly replacement
- Not recommended for small rifle primers

**Barrel Diameter**  
Min.: 1.250" Max.: 1.300"



**REPEATER**   
or **SINGLE SHOT** 

# CDX-40/50

Custom actions

**DLC COATING**



Shown with optional tactical bolt knob



**CDX-40**  
"E" group bolt face  
(Ø 0.670") 3 lug - 60°



**CDX-50**  
"F" group bolt face  
(Ø 0.825") 4 lug - 50°



CDX-50 TREMOR engraving shown

CDX-50 bolt shown with round bolt knob

## RECEIVER

- Machining: CNC
- Material: Stainless 416
- Length: (40: 10") (50: 11.900")
- Diameter: (40: 1.600") (50: 1.960")
- Thread: (40: 1 1/8" - 18 TPI)  
(50: 1 1/2" - 18 TPI)
- Hardness: 41-43 HRC
- 40: .350" hardened steel recoil lug  
50: .420" hardened steel recoil lug
- Heavy duty 10-32 top rail screws
- Cerakote finish (see colors P. 6-7)

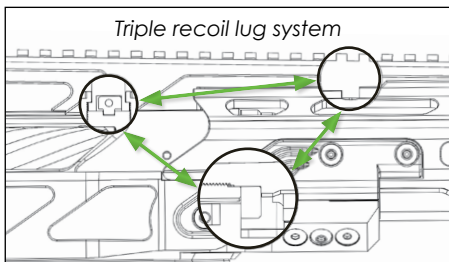
- 20 MOA stainless steel Picatinny rail
- Cadex proprietary heavy duty bolt stop and pin
- Unique top rail localization system with integrated recoil groove machined into the action upper section
- Cadex proprietary magazine
- Cadex proprietary footprint
- Compatible with the Cadex DX2 EVO trigger or some Rem Style aftermarket triggers
- Deep laser engraving markings

## BOLT

- Machining: CNC
- Material: Stainless 416
- Firing pin: Cadex design with improved locktime
- Cadex heavy duty extractor
- Ejectors: Rem style double ejectors
- Easy 1/4 turn tool-free bolt disassembly
- Hardness: 43-45 HRC
- Easy firing pin assembly replacement
- Shroud: Cadex design with 2 position top safety

- Round and tactical interchangeable bolt knobs
- DLC coated spiral fluted bolt
- Cadex design cocking piece
- Bolt face type E (.670"); 375 EnABELR, 375/408 CT
- Bolt face type F (.825"); 416 Barrett®, 50 BMG

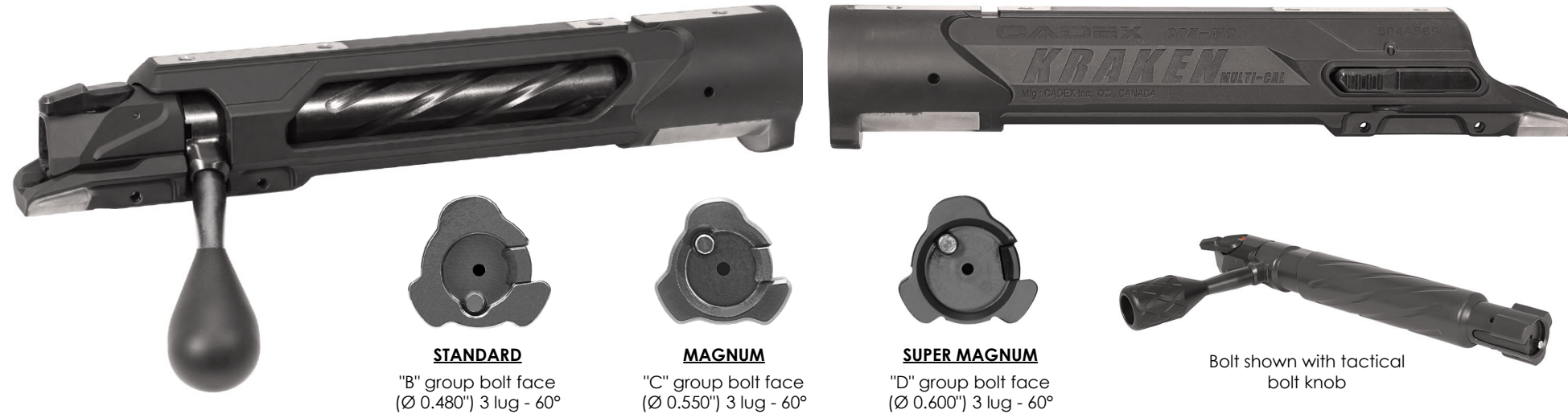
**Barrels Diameter**  
(CDX-40) Min.: 1.400" Max.: 1.450"  
(CDX-50) Min./Max.: 1.730"



# CDX-MC KRAKEN®

Multi-caliber action - Not sold separately

## DLC COATING



### STANDARD

"B" group bolt face  
(Ø 0.480") 3 lug - 60°

### MAGNUM

"C" group bolt face  
(Ø 0.550") 3 lug - 60°

### SUPER MAGNUM

"D" group bolt face  
(Ø 0.600") 3 lug - 60°

Bolt shown with tactical  
bolt knob

## RECEIVER

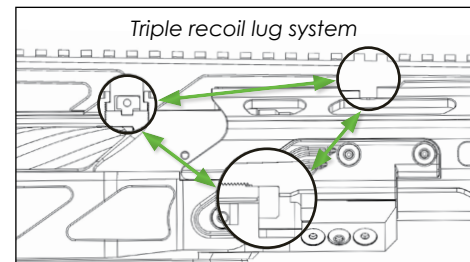
- Machining: CNC
- Material: Stainless 416
- Length: 9.150"
- Diameter: 1.550"
- Thread: 1 1/8" - 18 TPI
- Hardness: 41-43 HRC
- .350" integral recoil lug
- Deep laser engraving markings
- Fits up to 3.850" magazines
- Cerakote finish (see colors P. 6-7)
- #10-32 top rail screws

- Cadex proprietary heavy duty bolt stop and pin
- Unique top rail localization system with integrated recoil groove machined into the action upper section
- Short Action: AICS DSSF  
Long Action: AICS DSSF (SSSF only for certain calibers)
- Cadex proprietary footprint
- Compatible with the Cadex DX2 EVO trigger or some Rem Style aftermarket triggers

## BOLT

- Machining: CNC
- Material: Stainless 416
- Firing pin: Cadex design with improved locktime
- Cadex heavy duty extractor
- Ejector: Rem style
- Easy 1/4 turn tool-free bolt disassembly
- Hardness: 43-45 HRC
- Same firing pin for all calibers

- Multiple bolt faces available: Type B (.480"), C (.550"), D (.600")
- Shroud: Cadex design with 2 position top safety
- Round and tactical interchangeable bolt knobs
- DLC coated spiral fluted 3 lug bolt with 60° bolt throw for rapid cycling
- Cadex design cocking piece
- Easy firing pin assembly replacement



# CDX-X60

Custom actions

## DLC COATING



"G" group bolt face  
(Ø 1.082") 4 lug - 50°

Firing pin assembly

## RECEIVER

- Machining: CNC
- Material: Stainless 416
- Length: 14.160"
- Diameter: 2.400"
- Thread: 1 1/8" - 18 TPI
- Hardness: 41-43 HRC
- .420" hardened steel recoil lug
- Heavy duty 10-32 top rail screws
- Cerakote finish (see colors P. 6-7)
- 20 MOA stainless steel Picatinny rail

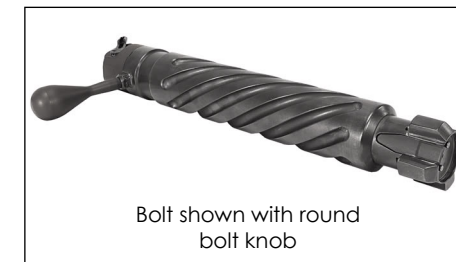
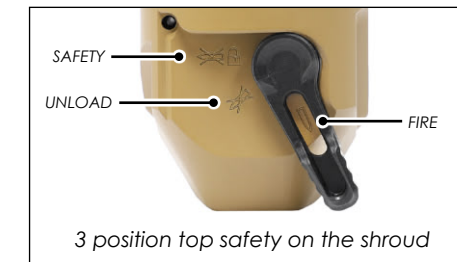
- Cadex proprietary heavy duty bolt stop and pin
- Unique top rail localization system with integrated recoil groove machined into the action upper section
- Cadex proprietary magazine
- Cadex proprietary footprint
- Compatible with the Cadex DX2 EVO trigger or some Rem Style aftermarket triggers
- Deep laser engraving markings

## BOLT

- Machining: CNC
- Material: Stainless 416
- Firing pin: Cadex design with improved locktime
- Cadex heavy duty extractor
- Ejectors: Rem style double ejectors
- Easy 1/4 turn tool-free bolt disassembly
- Hardness: 43-45 HRC
- Easy firing pin assembly replacement
- Shroud: Cadex design with 3 position top safety (FIRE, UNLOAD, SAFETY)

- Round and tactical interchangeable bolt knobs
- DLC coated spiral fluted bolt
- Cadex design cocking piece
- Bolt face type G (1.082"):  
12.7x114mm UA, 14.5x114mm

**Barrel Diameter**  
Min./Max.: 2.285"



# GUNSMITHING

## ACTION WRENCHES

Action wrenches are mandatory when it comes to removing or installing a barrel on an action. Failure to use the right tool could result in damages to the action. Action wrenches are designed to engage the locking lugs of the action while applying the recommended torque.

### ACTION WRENCHES PART#

- CDX-SS Short Action**  
Part#: SS-WRENCH-SA
- CDX-R7 Short Action**  
Part#: R7-WRENCH-SA
- CDX-R7 Long Action**  
Part#: R7-WRENCH-LA
- CDX-30/300/33**  
Part#: LITE-WRENCH
- CDX-40**  
Part#: SHDW-WRENCH  
(NSN#: 5120-20-012-0401)
- CDX-50**  
Part#: TRMR-WRENCH
- CDX-X60**  
Part#: X60-WRENCH



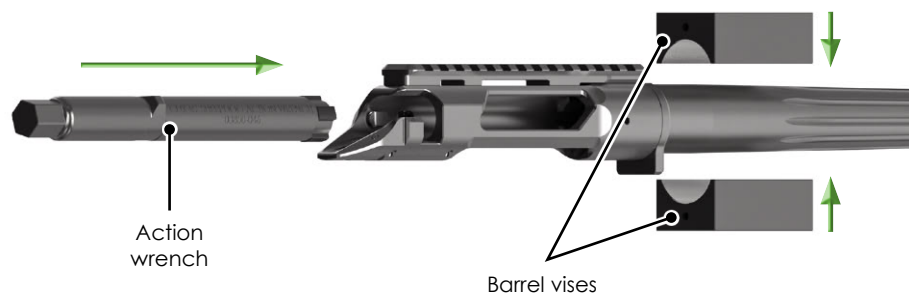
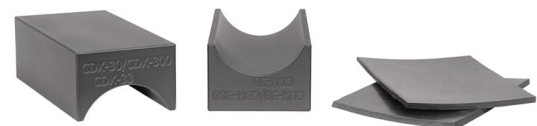
\*Won't fit left hand actions

## BARREL VISES

Barrel vises are mandatory when it comes to removing or installing a barrel on an action. Failure to use the right tool could result in damages to the barrel. Barrel vises are designed to clamp and secure the barrel in place within the conventional vise jaws without damaging the surface finish. Make sure to use the right vise for the right barrel diameter.

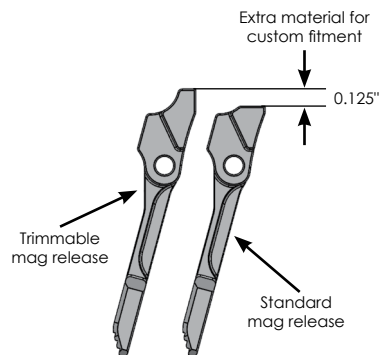
### BARREL VISES PART#

- CDX-R7/CDX-SS**  
Part#: R7-VISE
- CDX-30/300/33**  
Part#: LITE-VISE
- CDX-40**  
Part#: SHDW-VISE  
(NSN#: 4933-20-011-9982)
- CDX-50**  
Part#: TRMR-VISE
- CDX-X60**  
Part#: X60-VISE



## TRIMMABLE MAG RELEASE - Part#: 03127-073-K1

Lots of custom actions are trying to replicate the Rem 700 action footprint. However, they often have proprietary features leading to dimensional changes which then require minor modifications such as magazine height adjustability. The trimmable mag release has been manufactured with extra material on purpose so that it could be trimmed to the appropriate length, based on the calculations of a qualified gunsmith. It provides the ability to fine-tune the magazine seating height versus action ramping in order to improve the feeding of certain shapes of ogives.



## GO/NO-GO GAUGES

Go and No-Go gauges are mandatory when it comes to installing a new barrel on an action. It is imperative to confirm the rifle headspace prior to firing any ammunition in it. Wrong headspace can result in catastrophic failure resulting in an explosion causing serious injuries or death. Only qualified gunsmiths or properly trained shooters should proceed with the installation of a new barrel on a rifle.



# BOLT ASSEMBLY KIT

## BOLT ASSEMBLY

You lost your bolt, damaged it or simply need one of another caliber? Look no further. We offer replacement bolt assemblies for each actions that we manufacture. It includes the bolt body, operating handle, extractor and ejector kit. Firing pin assemblies are sold separately. Contact Cadex with your serial number in hand and we'll help you out.



\*Firing pin sold separately

## EJECTOR AND EXTRACTOR KITS

Every rifle requires periodic maintenance to stay in good condition. Some parts wear out and will eventually need to be replaced due to normal wear. Cadex offers replacement extractor or ejector kits for all of its bolts. These kits include the extractor/ejector(s), pins and springs.



Ejector kit

Extractor kit

\*Some ejector kit may contain more parts base on action model

NSN#: 1005-20-011-9878  
(extractor kit for CDX-40)

BOLT ASSEMBLY REPLACEMENT PARTS					
SERIES	TYPE	BOLT KIT WITHOUT FIRING PIN	FIRING PIN KIT	EXTRACTOR KIT	EJECTOR KIT
CDX-SS	SA	A	SS-BOLT-TA-KI	3850-K020	3850-K037 3850-K038
		B	SS-BOLT-TB-KI		3850-K030 3850-K038
CDX-HUNTING	SA	B	HUNT-SA-BOLT-TB-KI	3850-K017	3850-K030 3850-K038
		C	HUNT-SA-BOLT-TC-KI		3850-K031 3850-K044
	LA	B	HUNT-LA-BOLT-TB-KI	3850-K019	3850-K030 3850-K038
		C	HUNT-LA-BOLT-TC-KI		3850-K031 3850-K023
CDX-R7	SA	B	R7-SA-BOLT-TB-KI	3850-K017	3850-K030 3850-K038
		C	R7-SA-BOLT-TC-KI		3850-K031 3850-K044
	LA	B	R7-LA-BOLT-TB-KI	3850-K019	3850-K030 3850-K038
		C	R7-LA-BOLT-TC-KI		3850-K031 3850-K023
CDX-30/300/33		B	LITE-BOLT-TB-KI	3850-K008	3850-K010 3850-K009
		C	LITE-BOLT-TC-KI		3850-K011 3850-K009
		D	LITE-BOLT-TD-KI		3850-K012 3850-K009
CDX-MC		B	KRKN-BOLT-TB-KI	3850-K016	3850-K010 3850-K043
		C	KRKN-BOLT-TC-KI		3850-K011 3850-K022
		D	KRKN-BOLT-TD-KI		3850-K012 3850-K022
CDX-40	E	SHDW-BOLT-TE-KI	3850-K014	7145-K003 7145-K004	
CDX-50	F	TRMR-BOLT-TF-KI	3850-K015	6452-K003 6452-K004	
CDX-X60	G	X60-BOLT-TG-KI	S6007-K001	S6007-K002 S6007-K003	
LEFT HANDED CONFIGURATIONS					
CDX-R7	SA	B	R7-LH-SA-BOLT-TB-KI	3850-K017	3850-K030 3850-K038
		C	R7-LH-SA-BOLT-TC-KI		3850-K031 3850-K044

### BOLT KIT WITHOUT FIRING PIN INCLUDES:

Bolt body with round bolt knob (installed), extractor kit (installed), ejector kit (installed). *Firing pin sold separately.*

## INTERCHANGEABLE BOLT KNOB KIT - Part#: 3850-K045



Round knob

Tactical knob

- 4140 steel screw-in bolt handle
- 1/4-28 threaded
- Interchangeable round and tactical bolt knob
- Green Loctite® recommended

\*FITS ALL CADEX RIFLES 2019 +  
For older generation rifles, please contact Cadex prior to order.

**Material:** Steel 4140

### Round knob

**Dimensions:**  
0.98" x 2.98" | 2.49 x 7.57 cm

**Weight (±):**  
0.24 lb | 110 grams

### Tactical knob

**Dimensions:**  
0.85" x 2.97" | 2.16 x 7.54 cm

**Weight (±):**  
0.14 lb | 66 grams

## HUNTING KNOB - Part#: BKNOB-LPD-A406



Hunting knob

- One piece 4140 steel screw-in bolt handle
- 1/4-28 threaded
- Low profile slim round bolt knob
- Green Loctite® recommended

### Hunting knob

**Dimensions:**  
0.7" x 2.38"  
1.78 x 6.05 cm

**Weight (±):**  
0.09 lb | 41 grams

**Material:** Steel 4140

# REM STYLE TRIGGERS

## CURVED SHOE TRIGGERS



## STRAIGHT SHOE TRIGGERS



The Cadex DX2 EVO trigger is a single/two stage trigger capable of being rapidly converted into a single stage trigger by its operator. Its trigger pull weight can be easily adjusted between 1.5 to 2.5 lb\*. If you haven't figured out yet if you prefer a single stage or two stage trigger, you can't go wrong with the DX2 EVO as it accomplishes both functions.

\*Achievable trigger pull weight can be influenced by multiple factors.

### FEATURES:

- First stage permanently set between 6 to 8 ounces at the factory.
- Adjustable combined pull weight between 1.5 to 2.5 lb\*.
- Fast access to the trigger pull adjustment screw located at the bottom of the trigger body.
- Adjustable trigger shoe positioning for maximum comfort.
- Military grade trigger design with multiple openings machined into the aluminum body to facilitate dirt cleaning.
- Improved crispness and safety mechanism.
- Hardox® 500 wear-free internals.

### CURVED SHOE TRIGGERS

Part#: 6119-A002-EVO  
(naked variant)

Part#: 6119-A002R7-EVO  
(with safety)

Part#: 6119-A002S-EVO  
(with safety and bolt release)

Part#: 6119-A002MC-EVO  
(for McMillan Tac-50®)  
(NSN#: 1005-20-012-0553)  
\*double stage only

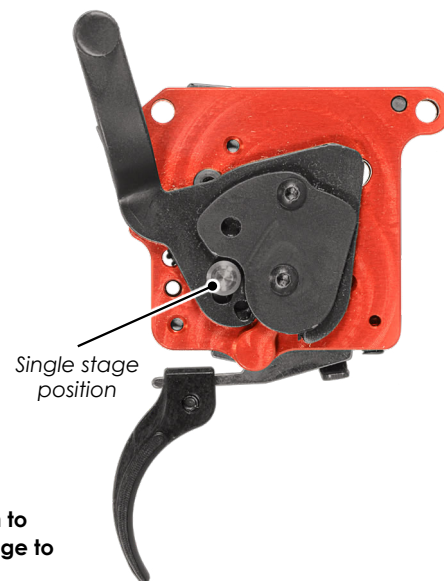
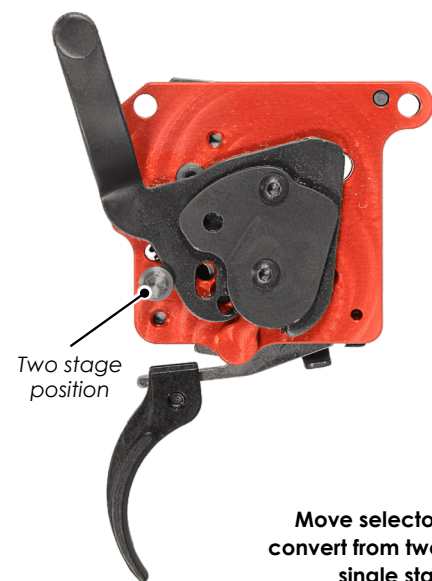
### STRAIGHT SHOE TRIGGERS

Part#: 6119-A003-EVO  
(naked variant)

Part#: 6119-A003R7-EVO  
(with safety)

Part#: 6119-A003S-EVO  
(with safety and bolt release)

## CONVERSION FROM TWO STAGE TO SINGLE STAGE



Move selector pin to convert from two stage to single stage

## REPLACEMENT PARTS



# CADEX AMMUNITION

BY  
ULTIMATE  
AMMUNITION™

At Cadex Defence, we understand that a precision rifle can only be as precise as the ammunition that is fired in it. For the same reason that race cars do not run on conventional fuel, performance rifles require performance ammunitions to deliver their best precision and accuracy. For a long time, we've been using off-the-shelf match grade ammunitions with decent to impressive results, but consistency was often lacking from lot-to-lot. Maximum accuracy used to be only reached by hand loaders since they were capable to fine tune their ammunition to their firearms. These days are over with [Ultimate Ammunition™](#).

Ultimate Ammunition™ emerged a few years ago from developing a close working relationship with NATO Special Operations Forces in Europe. Made by shooters for shooters with precision, repeatability and terminal effect in mind, they developed the most accurate and reliable ammunition thanks to their state-of-the-art in-house ballistic test range and 2-mile ELR outdoor test facility.

Cadex Defence decided to team up with Ultimate Ammunition™ for the development of customized ammunition specific to our rifles and specs. They selected the best components available for military use. The end result is cartridges that are not only "weapon specific" but also "mission specific" capable of delivering performances exceeding our expectations.

Subsonic, Armor Piercing, APFI, APRE (Nano Explosive), low penetration. The possibilities are infinite.

- 308 Win
- 6.5 Creedmoor
- 300 Norma Mag
- 338 Lapua Mag
- 375 EnABELR
- 375/408CT
- 50 BMG
- 12.7x114mm UA
- 14.5x114mm



Loaded using Peterson Cartridge® Match-Grade Brass Rifle Casings

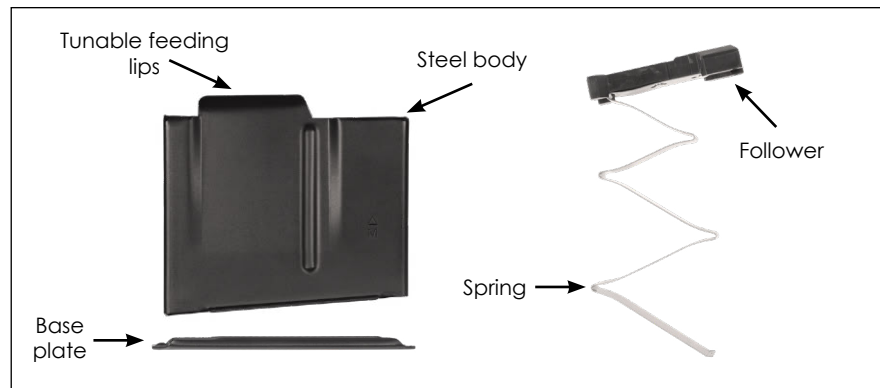


Contact Cadex Defence for more information on customized ammunition by [Ultimate Ammunition™](#)

# AICS MAGAZINES

AICS pattern magazines dominate both recreational and military markets because they are affordable, reliable and commonly used by rifle manufacturers. Rather than trying to reinvent the wheel, Cadex teamed up with Accurate-Mag®, a manufacturer offering a wider magazine selection than any other. We offer AICS magazines for more than 25 different calibers and in various lengths and capacity based on your preferred utilization. These magazines are military grade, made of rigid steel with solid anti-corrosion coating. They can be cleaned or lubricated easily by taking down the base plate and the magazine spring may be replaced as needed after years of intensive use.

\*Magazine fitment chart VS chassis systems P. 81



	PART #	CALIBERS	MAG TYPE	EXTERNAL LENGTH	INTERNAL LENGTH	MAG CAPACITY
SHORT ACTION CALIBERS	MAG100-0037	204 Ruger / 223 Rem	DSSF	3.055"	2.375"	10
	MDT-223	204 Ruger / 223 Rem / 300 Blackout	DSSF	3.055"	2.520"	10
	MDT-6MM	6 BR Norma / 6 Dasher	DSSF	3.055"	2.600"	12
	MAG100-0041	22-250 Rem / 243 Win / 6 Creedmoor / 6.5x47 Lapua 6.5 Creedmoor / 260 Rem / 308 Win	DSSF	3.055"	2.990"	5
	MAG100-0040	22-250 Rem / 243 Win / 6 Creedmoor / 6.5x47 Lapua 6.5 Creedmoor / 260 Rem / 308 Win	DSSF	3.055"	2.990"	10
	MAG100-0006	6.5 PRC / 270 WSM / 300 WSM / 7 WSM	DSSF	3.055"	2.990"	3
LONG ACTION CALIBERS	MAG100-0008	6.5 PRC / 270 WSM / 300 WSM / 7 WSM	DSSF	3.055"	2.990"	7
	MAG100-0039	25-06 Rem / 270 Win / 30-06 SPRG	SSSF	3.715"	3.640"	5
	MAG100-0001	7mm Rem Mag / 300 WM / 338 Win	SSSF	3.715"	3.640"	5
	MAG100-0023	7mm Rem Mag / 300 WM / 338 Win	SSSF	3.850"	3.755"	5
	MDT-3PR	7 PRC / 28 Nosler / 300 PRC	SSSF	3.850"	3.755"	5
	MAG100-0044	300 RUM / 338 RUM	SSSF	3.715"	3.640"	5
	MAG100-0043	300 RUM / 338 RUM	SSSF	3.850"	3.755"	5
	MAG100-0003	300 NM / 338 NM / 338 Lapua	SSSF	3.715"	3.640"	5
	MAG100-0022	300 NM / 338 NM / 338 Lapua	SSSF	3.850"	3.775"	5
	MAG100-0020	300 NM / 338 NM / 338 Lapua	DSSF	3.850"	3.775"	5
MAG100-0086	300 NM / 338 NM / 338 Lapua	DSSF	3.850"	3.775"	10	



**MAG100-0037**

- Short Action
- 3.055" DSSF
- 10 round



**MDT-223**

- Short Action
- 3.055" DSSF
- 10 round



**MDT-6MM**

- Short Action
- 3.055" DSSF
- 12 round



**MAG100-0041**

- Short Action
- 3.055" DSSF
- 5 round



**MAG100-0040**

- Short Action
- 3.055" DSSF
- 10 round



**MAG100-0006**

- Short Action
- 3.055" DSSF
- 3 round



**MAG100-0001**

- Long Action
- 3.715" SSSF
- 5 round



**MAG100-0022**

- Long Action
- 3.850" CIP SSSF
- 5 round



**MAG100-0020**

- Long Action
- 3.850" CIP DSSF
- 5 round
- Fits Kraken® only



**MAG100-0086**

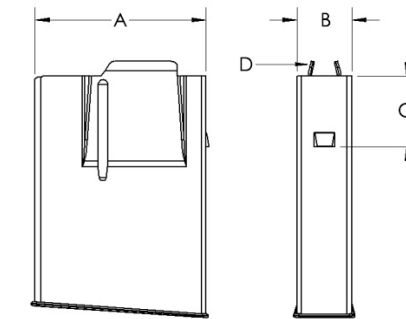
- Long Action
- 3.850" CIP DSSF
- 10 round
- Fits Kraken® only

# MAGAZINE FITMENT vs CHASSIS SYSTEMS

Cadex chassis systems are designed for standard AICS pattern magazines. We optimized our chassis models for Accurate-Mag® magazines as their dimensions replicate best the original AICS design and their tolerances are tighter than most other aftermarket models. Some other companies choose to deviate from the original design, which is out of our control and may lead to some unexpected fitment or feeding issues.

## AICS DSSF example

- A- LENGTH:** 3.055"
- B- WIDTH:** 0.970"
- C- CATCH HEIGHT:** 1.360"
- D- LIPS WIDTH:** 0.040"



## AVERAGE MAGAZINE DIMENSIONS / DEVIATION FROM AICS STD

MANUFACTURER	MATERIAL	LENGTH (IN.) / DEVIATION	WIDTH (IN.) / DEVIATION	CATCH HEIGHT (IN.) / DEVIATION	AICS COMPLIANT
Accurate-Mag® (recommended model)	Metal	3.054 / -0.001	0.966 / -0.004	1.360 / 0.000	YES
AI®	Metal	3.059 / +0.004	0.967 / -0.003	1.358 / -0.002	YES
MDT®	Metal	3.061 / +0.006	0.969 / -0.001	1.358 / -0.002	YES
MDT®	Polymer	3.067 / +0.012	0.991 / +0.021	1.390 / +0.030	NO
Magpul®	Polymer	3.069 / +0.014	0.970 / 0.000	1.370 / +0.010	NO

\*Any major deviation from the aforementioned AICS dimensions may cause magazine fitment and feeding issues. You may use other magazine brands and models at your own risk.

## AVERAGE AICS RIMFIRE 22 LR MAGAZINE DIMENSIONS

MANUFACTURER	MATERIAL	LENGTH (IN.)	WIDTH (IN.)	CATCH HEIGHT (IN.)
Zermatt Arms® RimX	Metal	3.055	0.965	1.175-1.295 (adjustable)
Bergara®	Polymer	3.055	0.952	1.315
Vudoo®	Metal	3.049	0.959	1.224
Vudoo®	Polymer	3.028	0.949	1.227

\*The Strike PRO chassis is compatible with above magazine when combined with rimfire specific detachable base.

## RECOMMENDED MODEL



Accurate-Mag® (metal)



AI® (metal)



MDT® (metal)



MDT® (polymer)



Magpul® (polymer)

## RIMFIRE 22 LR EXAMPLE



RimX model (metal)

# CDX MAGAZINES

## FEATURES:

- Rigid magazine body made of metal with an anti-corrosion coating.
- Injection molded follower and bottom plate.
- Easy to clean.

The extra wide bottom plate assists in magazine manipulation.

PART NUMBER	CALIBER	ACTION	TYPE	EXTERNAL LENGTH	INTERNAL LENGTH	CAPACITY
MAG4309	375 EnABELR	CDX-40	DSSF	4.725"	4.625"	7
MAG4300	375/408 CT	CDX-40	DSSF	4.725"	4.625"	7
MAG416	416 Barrett®	CDX-50	SSSF	5.790"	5.520"	5
<b>NEW</b> MAG2949-3RD	50 BMG	QUAKE	SSSF	5.790"	5.520"	3
MAG2949	50 BMG	CDX-50	SSSF	5.790"	5.520"	5
MAG2538D	50 BMG	TAC-50	DSSF	5.790"	5.645"	5
MAG127	12.7x114mm UA	CDX-X60	SSSF	6.495"	6.283"	4
MAG145	14.5x114mm	CDX-X60	SSSF	6.495"	6.283"	4



### 375 EnABELR DSSF - Part#: MAG4309 (for CDX-40 or Stiller® TAC-408)

Top view



The MAG4309 375 EnABELR magazine has been developed for the Extreme Sniper Strike Operations (ESSO) military program managed by Applied Ballistics. It is a 7 round DSSF magazine capable of reliably feeding ELR type cartridges as long as 4.625".

### 375/408 CT DSSF - Part#: MAG4300 (for CDX-40 or Stiller® TAC-408)

Top view



The MAG4300 375/408CT magazine has been designed to solve the problems found on the original rifle design using this cartridge. The CDX magazine is reliable, built to tighter tolerances and can accept longer cartridge overall length.

(NSN#: 1005-20-011-9452)

### 50 BMG SSSF - Part#: MAG2949 (for CDX-50 or PGWDTI® LRT-3)

Top view



The MAG2949 magazine adapts to the Cadex CDX-50 Tremor® and the PGWDTI® LRT-3 rifles. Its SSSF design makes it more reliable than the DSSF designs. The cartridges are centre fed into the action bore and the magazine spring pushes the round straight up rather than at an angle, avoiding the recurring jam and misfeeds of staggered feed designs.

### 50 BMG DSSF - Part#: MAG2538D (for McMillan TAC-50®)

Top view



The MAG2538D is a direct replacement for the original McMillan TAC-50® magazine. We replicate the original design but add the Cadex "magic touch" to it, making them more reliable and economical than the genuine model.

(NSN#: 1005-20-009-5256)

### 416 BARRETT® SSSF - Part#: MAG416 (for CDX-50)

Top view



The MAG416 magazine adapts to the Cadex CDX-50 Tremor®. Its SSSF design makes it more reliable than a DSSF design. The cartridges are center fed into the action bore and the magazine spring pushes the round straight up rather than at an angle, avoiding the recurring jam and misfeeds of staggered feed designs.

### 12.7x114mm UA / 14.5x114mm SSSF (for CDX-X60)

Top view



The MAG127 & MAG145 magazines adapts to the CDX-X60 rifle. They hold up to 4 cartridges and their SSSF design makes them more reliable than a DSSF design. The cartridges are center fed into the action bore and the magazine spring pushes the round straight up rather than at an angle, avoiding the recurring jam and misfeeds of staggered feed designs.



# GEN 2 UNITIZED SCOPE MOUNTS

The Cadex Gen2 unitized scope mounts provide a rock solid optic mounting solution for precision rifles. These are machined from a solid one-piece aluminum billet for maximum rigidity and perfect alignment between the front and rear rings. The Gen2 models use a 6-screw pattern and are modular so that you can interchange front and rear top rings. We offer these mounts in standard, quick-detachable (QD) and QD cantilever variants.

Target distances are getting farther, calibers are more powerful than ever and riflescopes are constantly getting heavier. For these reasons, a top quality scope mount is arguably the most important element of a precision rifle package. If the mount does not hold the scope perfectly aligned with your point of aim, moves even just a hair, you will never hit that long range target.

## BASES:

- The standard base is the most worry-free and economical way to mount an optic on a Picatinny top rail.
- The quick-detachable base allows the scope mount to be removed and reinstalled rapidly with minor shift of point of aim. This is a great way to reuse one optic on multiple different rifles.
- The QD cantilever base brings the optic 1.478" forward. It is equipped with the new generation of quick detach locking levers.

## TOP RINGS:

- The standard top ring is a plain rounded design.
- The bubble level top ring is a must have item for any rifle intended to shoot long distances. The bubble indicator allows the shooter to level his rifle and eliminates possible canting errors.
- The bubble level/cosine indicator top ring is the ultimate combination. It provides the shooter with canting indication and cosine angle measurement in order to apply the right corrections.



## STANDARD UNITIZED SCOPE MOUNT



Shown with Picatinny front and bubble level rear

## QUICK-DETACH UNITIZED SCOPE MOUNT



Shown with Picatinny front and bubble level rear

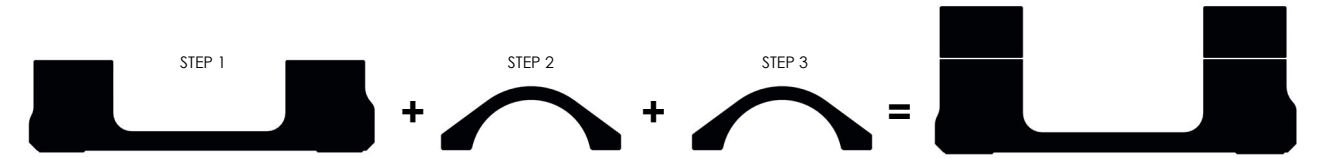
## QD CANTILEVER UNITIZED SCOPE MOUNT



Shown with standard front and standard rear

# SCOPE MOUNTS

**Step 1:** Select your base + **Step 2:** Select your rear top ring + **Step 3:** Select your front top ring = **Final configuration**



**Example:** 1556-B34H + R134 + F134 = 1556-B34H-R134-F134

## CUSTOMIZE YOUR SCOPE MOUNT BY FOLLOWING THESE 3 STEPS

### STEP #1: SELECT BASE MODEL



#### STANDARD BASE

#### SUPER LOW - 1.000"

1556-B30SL .....30mm  
1556-B34SL .....34mm

#### LOW - 1.250"

1556-B30L .....30mm  
1556-B34L .....34mm  
1556-B35L .....35mm

#### HIGH - 1.500"

1556-B30H .....30mm  
1556-B34H .....34mm  
1556-B35H .....35mm  
1556-B36H .....36mm



#### QUICK-DETACH BASE

#### HIGH - 1.500"

1556-QD-B30H .....30mm  
1556-QD-B34H .....34mm  
1556-QD-B35H .....35mm



#### QD CANTILEVER BASE with dual lever locking system

#### HIGH - 1.500"

1556-QD-CANT30H.....30mm  
1556-QD-CANT34H.....34mm

### STEP #2 & STEP #3: SELECT REAR AND FRONT TOP RING MODEL



#### REAR & FRONT STANDARD TOP RING

R/F130.....30mm  
R/F134.....34mm  
R/F135.....35mm  
R/F136.....36mm



#### REAR BUBBLE LEVEL TOP RING

R230.....30mm  
R234.....34mm  
R235.....35mm  
R236.....36mm



#### REAR BUBBLE LEVEL TOP RING WITH ANGLE COSINE INDICATOR

R330.....30mm  
R334.....34mm  
R335.....35mm

For right handed shooter only



#### FRONT PICATINNY TOP RING (HIGH) (bore height: 1.3")

F230H.....30mm  
F234H.....34mm  
F235H.....35mm



**NEW**

#### FRONT MODULAR RED DOT MOUNT (fits standard RMR)

F330.....30mm












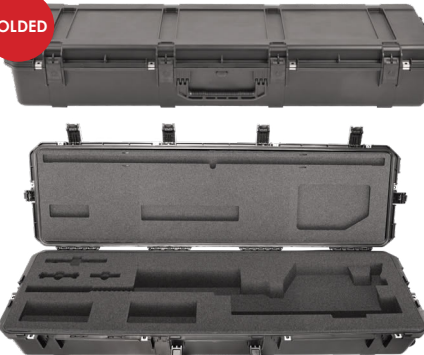


#### FRONT PICATINNY DIVING BOARD (EXTRA HIGH) (bore height: 2.2")

F230EH.....30mm  
F234EH.....34mm  
F235EH.....35mm  
F236EH.....36mm

# HARD CASES

\* Some cases may not be shown on this page.  
All available cases are listed in the table beside.

<p><b>CDX-R7 SPTR/CRBN</b> Part#: 175-00179-BLK</p> 	<p><b>CDX-SS PRO &amp; CDX-R7 PRO</b> Part#: 175-00057-TAN-PRO</p> 	<p><b>CDX-SS COVERT &amp; CDX-R7 CPS</b> Part#: 175-00238-BLK-COV</p> 	<p><b>CDX-30/300/33 &amp; CDX-R7 LCP/FCP</b> Part#: 175-00057-TAN-CDX</p> 
<p><b>CDX-R7 SHP</b> Part#: 175-00057-TAN-SHP</p> 	<p><b>CDX-R7 XS</b> Part#: 175-00057-TAN-XS</p> 	<p><b>CDX-MC KRAKEN®</b> Part#: 175-00068-BLK-FMC</p> <p>FOLDED</p> 	<p><b>CDX-40 SHDW</b> Part#: 175-00068-BLK-F40</p> <p>FOLDED</p> 
<p><b>CDX-50 TREMOR® 20.6"</b> Part#: 175-00238-BLK-F5020</p> <p>FOLDED</p> 	<p><b>CDX-50 TREMOR® - 29" ONLY</b> Part#: 175-00068-BLK-F5029</p> <p>FOLDED</p> 	<p><b>CDX-50 TREMOR®</b> Part#: 175-00082-BLK-F50</p> <p>FOLDED</p> 	<p><b>CDX-40 &amp; CDX-50 TREMOR® - UP TO 40"</b> Part#: 175-00239-BLK-ELR</p> <p>FOLDED</p> 

# HARD CASES TABLE

	COMPATIBLE CDX RIFLES	FOLDED	BARREL LENGTHS	CASE MODEL	DESCRIPTION	PART NUMBER
HARD CASE (with cut-out foam)	CDX-R7 SPTR/CRBN	N/A	20" / 24" / 26"	CADEX CASE BLACK	Hard case 52" with foam layers for CDX-R7 SPTR/CRBN, Black color	175-00179-BLK
	CDX-SS PRO & CDX-R7 PRO	NO	26" ONLY	NANUK 995 TAN	Hard case 52" with cut-out foam for CDX-SS PRO & CDX-R7 PRO 26" only, Tan color	175-00057-TAN-PRO
	CDX-SS COVERT & CDX-R7 CPS	NO	16.5" / 20"	NANUK 990 BLACK	Hard case 44" with cut-out foam for CDX-SS COVERT & CDX-R7 CPS, Black color	175-00238-BLK-COV
	CDX-30/300/33 & CDX-R7 LCP/FCP	NO	20" / 24" / 26" / 27"	NANUK 995 TAN	Hard case 52" with cut-out foam for CDX-30/300/33 LITE/TAC & CDX-R7 LCP/FCP, Tan color	175-00057-TAN-CDX
	CDX-30 X-LITE	NO	24" ONLY	NANUK 995 TAN	Hard case 52" with cut-out foam for CDX-30 X-LITE, Tan color	175-00057-TAN-XL
	CDX-300/33 X-LITE	YES	30" ONLY	STORM IM3300 BLACK	Hard case 50" with cut-out-foam for CDX-300/33 X-LITE, Black color	175-00068-BLK-XL
	CDX-R7 SHP	N/A	16.5" / 20" / 24" / 26" / 27"	NANUK 995 TAN	Hard case 52" with cut-out foam for CDX-R7 SHP, Tan color	175-00057-TAN-SHP
	CDX-R7 XS	NO	26" ONLY	NANUK 995 TAN	Hard case 52" with cut-out-foam for CDX-R7 XS, Tan color	175-00057-TAN-XS
	CDX-MC KRAKEN®	YES*	16.5" / 20" / 24" / 26" / 27" / 32"	STORM IM3300 BLACK	Hard case 50" with cut-out-foam for CDX-MC KRAKEN®, Black color	175-00068-BLK-FMC
	CDX-40 SHDW	YES*	29" / 32"	STORM IM3300 BLACK	Hard case 50" with cut-out foam for CDX-40 SHDW, Black color	175-00068-BLK-F40
HARD CASE (without foam)	CDX-50 TREMOR® - 20.6" only	YES*	20.6" ONLY	NANUK 990 BLACK	Hard case 44" with cut-out foam for CDX-50 TREMOR® 20.6" only, Black color	175-00238-BLK-F5020
	CDX-50 TREMOR® - 29" only	YES*	29" ONLY	STORM IM3300 BLACK	Hard case 50" with cut-out foam for CDX-50 TREMOR® 29" only, Black color	175-00068-BLK-F5029
	CDX-50 TREMOR®	YES*	29" / 32"	SKB 5616 BLACK	Hard case 56" with cut-out foam for CDX-50 TREMOR®, Black color	175-00082-BLK-F50
	CDX-40 SHDW & CDX-50 TREMOR® (single shot and repeater)	YES*	36" ONLY (CDX-40) 40" ONLY (CDX-50)	SKB 6018-8 BLACK	Hard case 60" with cut-out foam for CDX-40 SHDW 36" & CDX-50 TREMOR® 40" (single shot and repeater), Black color	175-00239-BLK-ELR
	CDX-SS COVERT, CDX-R7 CPS & CDX-50 20.6"	NO	11" / 16.5" / 20"	NANUK 990 BLACK	Hard case 44" without foam for CDX-SS COVERT, CDX-R7 CPS & CDX-50 20.6", Black color	175-00238-BLK
	CDX-30/300/33, CDX-R7 LCP/FCP/SHP/PRO/XS, CDX-SS PRO & X-LITE SERIES	NO	16.5" / 20" / 24" / 26" / 27"	NANUK 995 TAN	Hard case 52" without foam for CDX-30/300/33 LITE/TAC, CDX-R7 LCP/FCP/SHP/PRO/XS, CDX-SS PRO & X-LITE SERIES, Tan color	175-00057-TAN (NSN#: 8145-20-011-8149)
	CDX-MC KRAKEN®, CDX-40 SHDW & CDX-50 TREMOR®	YES*	Up to 32" if folded in its drag bag	STORM IM3300 BLACK	Hard case 50" without foam for CDX-MC KRAKEN®, CDX-40 SHDW & CDX-50 TREMOR®, up to 32", Black color	175-00068-BLK
	CDX-50 TREMOR®	YES*	Up to 32" if folded in its drag bag	SKB 5616 BLACK	Hard case 56" without foam for CDX-50 TREMOR® up to 32", Black color	175-00082-BLK
	CDX-40 SHDW & CDX-50 TREMOR® (single shot and repeater)	YES*	Up to 40" if folded in its drag bag	SKB 6018-8 BLACK	Hard case 60" without foam for CDX-40 SHDW & CDX-50 TREMOR® (single shot and repeater) up to 40", Black color	175-00239-BLK
	REPLACEMENT FOAM	CDX-30/300/33 & CDX-R7 LCP/FCP	NO	20" / 24" / 26" / 27"	For NANUK 995	Cut-out foam for CDX-30/300/33 LITE/TAC & CDX-R7 LCP/FCP for NANUK 995 case
CDX-30 X-LITE		NO	24"	For NANUK 995	Cut-out foam for CDX-30 X-LITE for NANUK 995 case	175-00276-K1
CDX-300/33 X-LITE		YES	30"	For STORM IM3300	Cut-out foam for CDX-300/33 X-LITE for STORM IM3300 case	175-00279-K1
CDX-SS PRO & CDX-R7 PRO		NO	26" ONLY	For NANUK 995	Cut-out foam for CDX-SS PRO & CDX-R7 PRO 26" only for NANUK 995 case	175-00240-K1
CDX-SS COVERT & CDX-R7 CPS		NO	16.5" / 20"	For NANUK 990	Cut-out foam for CDX-SS COVERT & CDX-R7 CPS for NANUK 990 case	175-00243-K1
CDX-R7 SHP		N/A	16.5" / 20" / 24" / 26" / 27"	For NANUK 995	Cut-out foam for CDX-R7 SHP for NANUK 995 case	175-00095-K1
CDX-R7 XS		NO	26"	For NANUK 995	Cut-out foam for CDX-R7 XS for NANUK 995 case	175-00271-K1
CDX-MC KRAKEN®		YES*	16.5" / 20" / 24" / 26" / 27" / 32"	For STORM IM3300	Cut-out foam for CDX-MC KRAKEN® for STORM IM3300 case	175-00081-K1
CDX-40 SHDW		YES*	29" / 32"	For STORM IM3300	Cut-out foam for CDX-40 SHDW for STORM IM3300 case	175-00089-K1
CDX-50 TREMOR® 20.6"		YES*	20.6" ONLY	For NANUK 990	Cut-out foam for CDX-50 TREMOR® 20.6" only for NANUK 990 case	175-00231-K1
CDX-50 TREMOR®	YES*	29" ONLY	For STORM IM3300	Cut-out foam for CDX-50 TREMOR® 29" only for STORM IM3300 case	175-00091-K1	
CDX-50 TREMOR®	YES*	29" / 32"	For SKB 5616	Cut-out foam for CDX-50 TREMOR® for SKB 5616 case	175-00084-K1	
CDX-40 SHDW & CDX-50 TREMOR® (single shot and repeater)	YES*	36" ONLY (CDX-40) 40" ONLY (CDX-50)	For SKB 6018-8	Cut-out foam for CDX-40 SHDW 36" & CDX-50 TREMOR® 40" (single shot and repeater) for SKB 6018-8 case	175-00242-K1	

\*Won't fit rifles equipped with a fixed stock variant (TAC)

# SNIPER DRAG BAG

**SPECIFICATIONS**

**Drag bag 48"** Part#: 175-00051-TAN  
**Interior dimensions:**  
 47" x 12" x 3" | 114.3 x 30.48 x 7.62 cm  
**Exterior dimensions:**  
 48" x 13.5" x 3.5" | 116.84 x 34.29 x 8.89 cm  
**Weight (±):** 6.5 lb | 2948 grams

**SPECIFICATIONS**

**Drag bag 53"** Part#: 175-00050-TAN  
**Interior dimensions:**  
 52" x 12" x 3" | 129.54 x 30.48 x 7.62 cm  
**Exterior dimensions:**  
 53" x 13.5" x 3.5" | 132.08 x 34.29 x 8.89 cm  
**Weight (±):** 6.8 lb | 3084 grams

**SPECIFICATIONS**

**Drag bag 62"** Part#: 175-00052-TAN  
**Interior dimensions:**  
 60" x 12" x 3" | 152.4 x 30.48 x 7.62 cm  
**Exterior dimensions:**  
 62" x 13.5" x 3.5" | 157.48 x 34.29 x 8.89 cm  
**Weight (±):** 7.4 lb | 3357 grams

(NSN#: 1005-20-010-6981)

(NSN#: 1005-20-011-9610)



Designed to carry your precision rifle. It can be used on its own or put in a hard case for maximum protection.

**FEATURES:**

- Four accessory pockets (for spare barrels, tooling, etc.)
- Heavy duty main zipper.
- Double stitched reinforced seams.
- Reinforced carrying handle.
- Integrated backpack straps.
- Integrated tool pouch inside.
- Multiple molle loops for attaching camo or additional equipment.
- Two attachment straps to secure the rifle.
- Protective hood and drag tether.
- 5" Velcro surface.
- Embroidered Cadex Defence and Extreme Range Supremacy® logos.

# PADDED RIFLE SLING



**SPECIFICATIONS**

**Part#: 3850-K002-TAN or 3850-K002-BLK**  
**Dimensions:**  
 39" x 1.57" x 0.2" | 99.06 x 3.9 x 0.5 cm  
**Dimensions extended:**  
 63" x 1.57" x 0.2" | 160 x 3.9 x 0.5 cm  
**Weight (±):** 0.4 lb | 181 grams



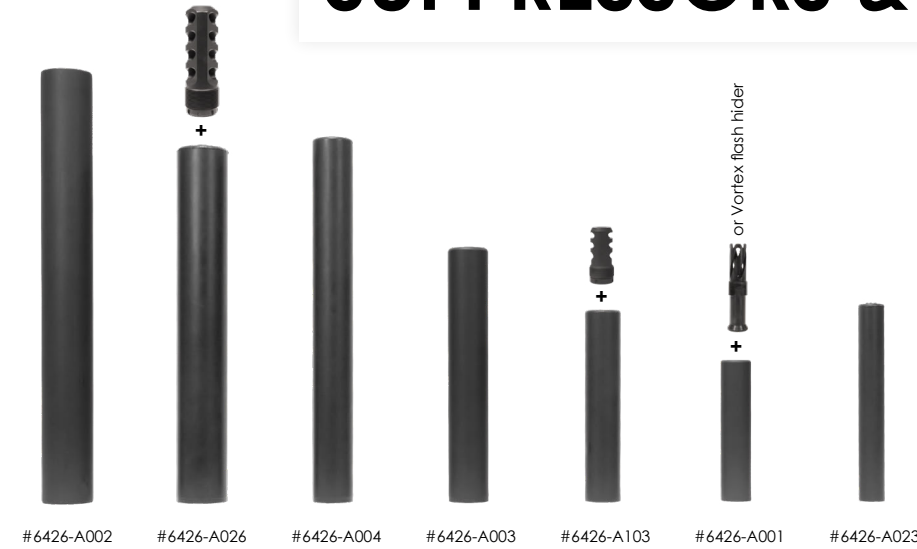
Military grade padded rifle sling with QD push button swivels.

**FEATURES:**

- High grade reinforced materials.
- Fortified stitching.
- Rugged push button sling mechanism.
- Adjustable length, from 39" to 63".
- Padded for increased comfort during extended transportation.
- Perfect for Cadex rifles and chassis.
- Available in tan or black color.



# SUPPRESSORS & MANTA® COVERS



SUPPRESSOR TYPE	PART NUMBER	DESCRIPTION	CALIBERS	MATERIAL	ATTACHMENT TYPE	MUZZLE THREADS	MANTA® COVER KIT
CARBINE	6426-A001	Carbine Suppressor 5.56mm (NSN#: 1005-20-009-1396)	5.56/223 cal.	Stainless Steel	Screw-on	Vortex or Cadex flash hider	6426-K001
CDX-R7, CDX-30/300/33/MC & CDX-SS PRECISION RIFLES	6426-A103	Titanium Compact Suppressor (requires Cadex MX2-ST muzzle brake)	Up to 338 cal.	Titanium	Screw-on	MX2-ST muzzle brake	6426-K103
CDX-SS SEVEN S.T.A.R.S. COVERT PRECISION RIFLE	6426-A023	Covert Slim Titanium Suppressor (compatible only with 11" Covert)	Up to 308 cal.	Titanium	Slip-on	5/8-24	N/A
CDX-30/300/33 & CDX-MC PRECISION RIFLES	6426-A003	Suppressor 308/338 (NSN#: 1005-20-011-8164)	Up to 338 cal.	Stainless Steel	Slip-on	3/4-20	6426-K003
CDX-40 PRECISION RIFLE	6426-A004	Suppressor 375/408 (NSN#: 1005-20-011-9603)	375/408 cal.	Stainless Steel	Slip-on	7/8-24	N/A
CDX-50 20.6" PRECISION RIFLE	6426-A026	Compact 50BMG Suppressor (requires Cadex MX2-ST muzzle brake)	50 cal.	Stainless Steel	Slip-on	MX2-ST muzzle brake	6426-K105
CDX-50 PRECISION RIFLE	6426-A002	Suppressor 50BMG	50 cal.	Stainless Steel	Slip-on	1-14 UNS	6426-K002

NSN#: 1005-20-011-3610 (for Carbine suppressor 5.56mm with Manta® cover)



Contact Cadex for more information and specifications on our suppressors and Manta® covers.

**SPECIFICATIONS**

**Carbine 5.56mm Flash Hider with suppressor adaptor**

Part#: 6426-059



(NSN#: 1005-20-011-3533)



Extremely effective mirage reduction device for suppressors. Available in tan or black.

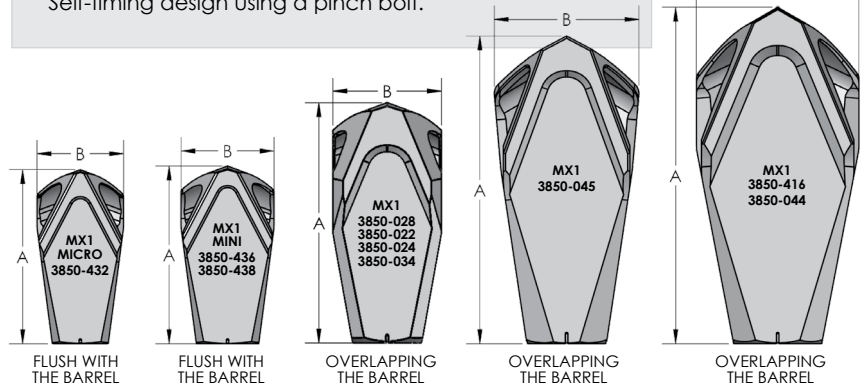


# MX1 & MX3 MUZZLE BRAKES

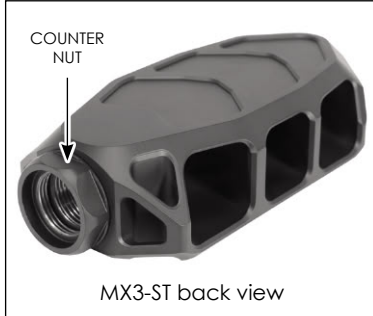
MX1 MICRO    MX1 MINI    MX1 STANDARD    MX1 .375/.408    MX1 .416/.50    MX3-ST .50/14.5



The Cadex MX1 muzzle brake is designed to deflect the muzzle blast away from the shooter and his spotter. Gases exit sideways and upwards to reduce felt recoil, dust cloud and improve rifle control. It will soften your 338 Lapua recoil as if it was a 243 Win. Self-timing design using a pinch bolt.



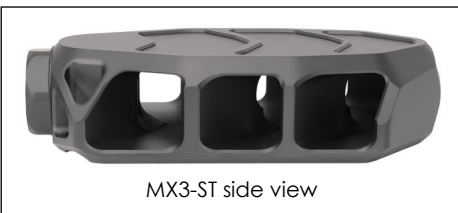
The Cadex MX3-ST muzzle brake is a must for extremely powerful calibers such as the 50 BMG, 12.7x114mm UA and 14.5x114mm. Its design allows for maximum airflow through its massive ports in order to tame the recoil of the most powerful calibers.



MX3-ST back view



MX3-ST front view



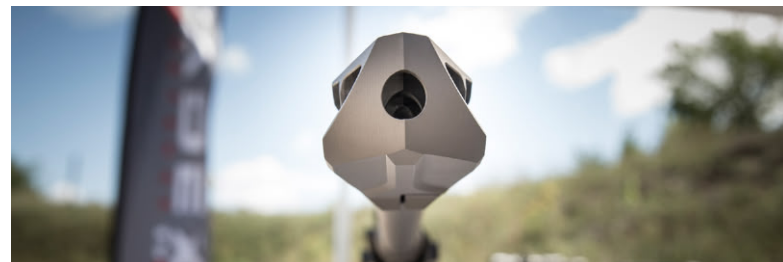
MX3-ST side view



MX1 front view



MX1 side view



NSN#: 1005-20-011-8167 (for 3850-022-TAN)

MODEL	PART NUMBER	MAX CALIBER	BARREL THREAD	BORE (IN)	WEIGHT (±)	LENGTH (A)	WIDTH (B)	MAX BARREL DIA
MX1 MICRO	3850-432	.223/5.56 Cal	1/2-28	0.297"	0.140 kg	2.418"	1.200"	0.755"
	3850-436	6.5 Cal	5/8-24	0.313"	0.130 kg	2.466"	1.290"	0.865"
	3850-438	.30 Cal	5/8-24	0.359"	0.129 kg	2.466"	1.290"	0.865"
MX1 MINI	3850-028	.33 Cal	5/8-24	0.406"	0.281 kg	3.338"	1.500"	0.865"
	3850-022	.33 Cal	3/4-20	0.406"	0.281 kg	3.338"	1.500"	0.865"
	3850-024	.33 Cal	3/4-24	0.406"	0.281 kg	3.338"	1.500"	0.865"
	3850-034	.33 Cal	M18X1	0.406"	0.281 kg	3.338"	1.500"	0.865"
	3850-045	.408 Cal	7/8-24	0.465"	0.420 kg	4.272"	2.000"	1.000"
	3850-416	.416 Cal	1-14 UNS	0.465"	0.600 kg	4.671"	2.250"	1.135"
MX1 STANDARD	3850-044	.50 Cal	1-14 UNS	0.562"	0.593 kg	4.671"	2.250"	1.135"
	3850-362-ST	.50 Cal	1-14 UNS	0.562"	1.576 kg	6.614"	3.250"	1.135"
	3850-364-ST	14.5mm Cal	1 1/8-16	0.630"	1.525 kg	6.728"	3.250"	1.240"

# MX2-ST MUZZLE BRAKES

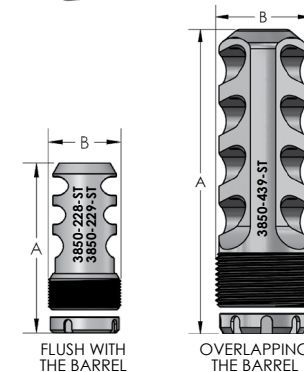
The Cadex MX2-ST Tactical muzzle brake design comes from the need to offer a muzzle brake small enough to fit inside a compact suppressor design. The end of the muzzle brake is tapered to perfectly align the compact titanium suppressor. The MX2-ST Tactical muzzle brake is lightweight while maintaining enough performance to control the muzzle jump on the rifle.



Optional compact titanium suppressor (Part#: 6426-A103)



MODEL	PART NUMBER	MAX CALIBER	BARREL THREAD	SUPPRESSOR THREAD	BORE (IN)	WEIGHT (±)	LENGTH (A)	WIDTH (B)	MAX BARREL DIA	OPTIONAL SUPPRESSOR
MX2-ST (SELF-TIMING)	3850-228-ST	.33 Cal	5/8-24	1-24	0.380"	0.095 kg	2.250"	0.995"	0.865"	#6426-A103
	3850-229-ST	.33 Cal	3/4-24	1-24	0.380"	0.078 kg	2.250"	0.995"	0.865"	#6426-A103
	3850-439-ST	.50 Cal	1-14 UNS	1 1/2-12	0.562"	0.410 kg	4.750"	1.500"	1.135"	#6426-A026



The Cadex MX2-ST 50BMG Tactical muzzle brake is designed to adapt the compact 50BMG suppressor. The MX2-ST secures on the barrel muzzle threads and its self-timing lock nut stops the rotation in the desired position using the provided wrench. The compact 50BMG suppressor screws on the 4 port design muzzle brake external threads, until it sits firm on the muzzle brake tapered end. This allows for the perfect alignment of the suppressor with the bore and seals the burnt gases.



Optional compact 50BMG suppressor (Part#: 6426-A026)

\*Recommended use: CDX-50 Tremor® 20.6" with suppressor band

\*Maximum recoil reduction effectiveness is achieved only when combined with the compact 50BMG suppressor

# FALCON BIPODS

with canting

The Falcon Bipods have been designed to provide the ultimate stability. Two models are offered, Picatinny rail or AES (ARCA) mounting variants. It features multiple optional modular quick-change accessories such as spike, claw or ski feet. An optional Extension Leg kit is also available for the ELR game where shooters engage targets beyond 2 miles and require lots of bipod elevation without sacrificing the rifle's stability.

**FEATURES:**

- Fast deployment legs without buttons to push.
- Ultra-tight machining tolerances for maximum stiffness and reduced free play.
- Reversible legs for choice of index or thumb push button operation.
- Easy to operate canting lever. Tilt angle +/- 15.5°.
- Folds/deploys forward, rearward 45° or standard 90°.
- Standard rubber feet, optional claw, spike or ski feet. (P. 95)
- Incredibly stable (width from 11.4" to 13.3").
- Designed to withstand recoil up to 50 BMG.
- Adjustable height from approx. 6.25" to 9" depending on the model.



Shown with optional claw feet

# FALCON BIPOD

with canting

The Falcon SP was designed to be adjustable to adapt to any given situation using a combination of different feet attachment and built-in features. The Single Pivot (SP) mount allows the bipod to cant around a central pivot point rather than slide under. It is mainly manufactured using 6061-T6 aluminum and fiber reinforced polymers allowing it to be both light and sturdy.

**FEATURES:**

- All the same features as the regular Falcon bipod except that it cants around a central pivot point
- QD locking lever
- Picatinny attachment

# FALCON LITE BIPOD

with panning and canting

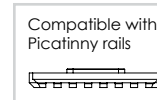
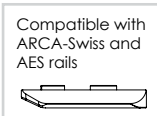
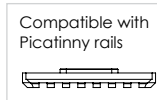
The Falcon Lite bipod is the result of an extensive product development project for a military unit. Their snipers were in need of a light bipod, solid, stable and featuring both a panning and canting capability. At less than 400 grams, the Falcon Lite features a quick-detach (QD) Picatinny mount, a tensioning lever, telescopic aluminum tube legs and modular feet attachments. This bipod has a very wide footprint spread and some of the tightest machining tolerances on the market, making it the most stable lightweight bipod you'll find. The modular locking feet attachments are a must to adapt to any shooting surfaces.

FALCON QD BIPOD - Part#: 7431-K015

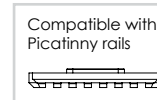
FALCON AES BIPOD - Part#: 7431-K015AES

FALCON SP BIPOD - Part#: 7431-K017SP

FALCON LITE (C20 SASW) - Part#: 7431-K102



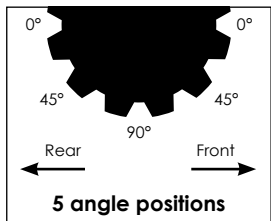
**The Falcon SP** is the proud winner of the Canadian Army Forces bipod program



**The Falcon Lite (C20 SASW)** is the proud winner of the Canadian Army Forces bipod program

**SPECIFICATIONS**

<b>Falcon QD Bipod</b>
<b>Shortened:</b> 11.41" x 5.19" x 6.73"   28.98 x 13.18 x 17.09 cm
<b>Extended:</b> 13.28" x 5.19" x 8.35"   33.73 x 13.18 x 21.21 cm
<b>Folded:</b> 8.8" x 5.1" x 2.89"   22.35 x 12.96 x 7.33 cm
<b>Weight (±):</b> 1.39 lb   630 grams
<b>Material:</b> 6061-T6 aluminum

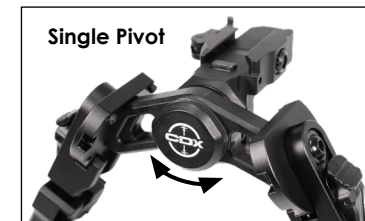


**SPECIFICATIONS**

<b>Falcon AES Bipod</b>
<b>Shortened:</b> 11.4" x 3.98" x 7.51"   28.96 x 10.12 x 19.07 cm
<b>Extended:</b> 13.28" x 3.98" x 9.13"   33.72 x 10.12 x 23.19 cm
<b>Folded:</b> 9.96" x 5.1" x 3.59"   25.3 x 12.95 x 9.13 cm
<b>Weight (±):</b> 1.65 lb   748 grams
<b>Material:</b> 6061-T6 aluminum

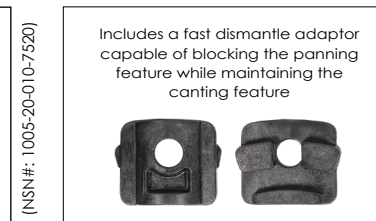
**SPECIFICATIONS**

<b>Falcon SP Bipod</b>
<b>Shortened:</b> 11.41" x 4.3" x 7.24"   28.98 x 10.92 x 18.39 cm
<b>Extended:</b> 13.29" x 4.3" x 8.86"   33.76 x 10.92 x 22.5 cm
<b>Folded:</b> 8.12" x 5.1" x 2.68"   20.62 x 12.95 x 6.8 cm
<b>Weight (±):</b> 1.30 lb   588 grams
<b>Material:</b> 6061-T6 aluminum



**SPECIFICATIONS**

<b>Falcon Lite (C20 SASW)</b>
<b>Shortened:</b> 10.5" x 3.31" x 6.27"   26.68 x 8.41 x 15.93 cm
<b>Extended:</b> 13.54" x 3.31" x 8.9"   34.4 x 8.41 x 22.61 cm
<b>Folded:</b> 8.43" x 4.49" x 2.61"   21.42 x 11.41 x 6.64 cm
<b>Weight (±):</b> 0.82 lb   374 grams
<b>Material:</b> 6061-T6 aluminum

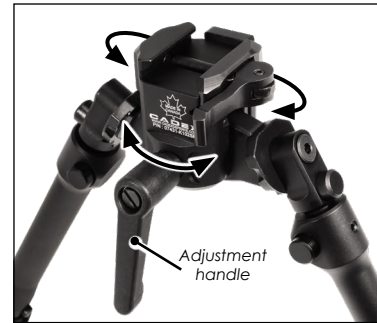
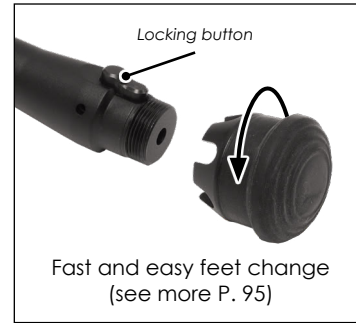


(NSN#: 1005-20-010-7520)

# FALCON LITE BIPODS

with panning and canting

The Falcon Lite bipods utilize a small head design, allowing for a more compact bipod better suited for competitive PRS shooting. It offers the same great canting capability as the bigger Falcon models, in a lighter weight package (only 400-450 grams), without any compromise on its rigidity. It also adds the panning feature, a quick-detach (QD) Picatinny mount, a tensioning lever and 9 position telescopic aluminum tube legs. These bipods have a very wide footprint spread and some of the tightest machining tolerances on the market, making them the most stable lightweight bipods you'll find. The modular locking feet attachments are a must to adapt to any shooting surface.



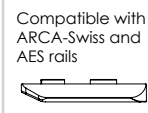
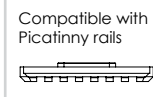
# BIPOD ACCESSORIES

All Cadex Falcon and Falcon Lite series bipods are modular and share the same foot attachments. Although each of them include rubber feet as a standard, multiple other optional foot attachments can be added. While rubber feet remain the best overall configuration, some specific sports may benefit from the use of more dedicated foot attachments. Here are our recommendations based on their purpose.



## FALCON LITE SP BIPOD - Part#: 7431-K102SP

## FALCON LITE AES BIPOD - Part#: 7431-K102AES

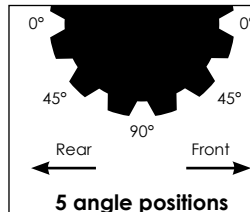


### SPECIFICATIONS

**Falcon Lite SP Bipod**  
**Shortened:** 9.81" x 3.31" x 6.81" | 24.91 x 8.41 x 17.29 cm  
**Extended:** 12.84" x 3.31" x 9.43" | 32.62 x 8.41 x 23.96 cm  
**Folded:** 8.44" x 3.79" x 2.87" | 21.43 x 9.63 x 7.28 cm  
**Weight (±):** 0.88 lb | 399 grams  
**Material:** 6061-T6 aluminum



Includes fast dismantle adaptors capable of blocking the panning feature while maintaining the canting capability



5 angle positions



Wide leg spread

### SPECIFICATIONS

**Falcon Lite AES Bipod**  
**Shortened:** 9.81" x 3.31" x 6.9" | 24.91 x 8.41 x 17.53 cm  
**Extended:** 12.84" x 3.31" x 9.52" | 32.62 x 8.41 x 24.28 cm  
**Folded:** 8.43" x 3.79" x 3" | 21.4 x 9.63 x 7.63 cm  
**Weight (±):** 0.98 lb | 445 grams  
**Material:** 6061-T6 aluminum

### PRS SHOOTING

- Rubber feet
- Spike feet

### F-CLASS & BENCH SHOOTING

- Rubber feet
- Ski feet

### ELR SHOOTING

- Rubber feet
- Ski feet
- Extension leg kit

### PRONE FIELD SHOOTING

- Rubber feet
- Spike feet
- Claw feet
- Ski feet

### RUBBER FEET - Part#: 7431-K105-K2



Rubber feet are included with every bipod model

### SPIKE FEET - Part#: 7431-K106-K2



(NSN#: 1005-20-010-6707)

### EXTENSION LEG KIT - Part#: 7431-K108-K2



+2" extra length

\*Compatible with any foot attachments

(NSN#: 1005-20-011-4456)







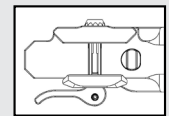
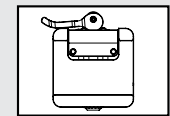
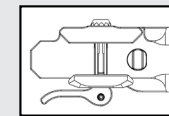
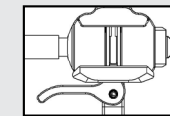
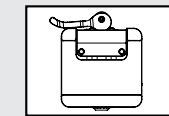
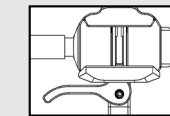
### CLAW FEET - Part#: 7431-K104-K2



### SKI FEET - Part#: 7431-K331-K2



# COMPARISON TABLE

	FALCON BIPODS			FALCON LITE BIPODS		
						
	Standard	AES (Arca Elite System)	SP (Single Pivot)	SP (Single Pivot)	AES (Arca Elite System)	C20 SASW model
MOUNTING OPTIONS	QD Picatinny mount 	QD Arca Elite System mount 	QD Picatinny mount 	QD Picatinny mount 	QD Arca Elite System mount 	QD Picatinny mount 
HEIGHT RANGE	6.73" - 8.35" (17.09 - 21.21 cm)	7.51" - 9.13" (19.07 - 23.19 cm)	7.24" - 8.86" (18.39 - 22.5 cm)	6.81" - 9.43" (17.29 - 23.96 cm)	6.9" - 9.52" (17.53 - 24.28 cm)	6.27" - 8.9" (15.93 - 22.61 cm)
WEIGHT (±)	1.39 lb (630 grams)	1.65 lb (748 grams)	1.30 lb (588 grams)	0.88 lb (399 grams)	0.98 lb (445 grams)	0.82 lb (374 grams)
OPTIONAL FEET	Claw - Spike - Ski	Claw - Spike - Ski	Claw - Spike - Ski	Claw - Spike - Ski	Claw - Spike - Ski	Claw - Spike - Ski
90° FOOTPRINT SPREAD	11.41" - 13.28" (28.97 - 33.73 cm)	11.4" - 13.28" (28.96 - 33.72 cm)	11.42" - 13.29" (28.99 - 33.75 cm)	9.81" - 12.84" (24.91 - 32.62 cm)	9.81" - 12.84" (24.91 - 32.62 cm)	10.51" - 13.54" (26.69 - 34.40 cm)
LEG POSITIONS (ANGLE)	0-45-90-135-180	0-45-90-135-180	0-45-90-135-180	0-45-90-135-180	0-45-90-135-180	0-45-90-135-180
TOTAL LEG POSITIONS (ANGLE)	5	5	5	5	5	5
TOTAL LEG POSITIONS (HEIGHT)	6	6	6	9	9	9
CANT ANGLE	+/- 15.5° (31° total)	+/- 15.5° (31° total)	+/- 20° (40° total)	+/- 15° (30° total)	+/- 15° (30° total)	+/- 15° (30° total)
PAN ANGLE	N/A	N/A	N/A	+/- 15° (30° total) (lockable)	+/- 15° (30° total) (lockable)	+/- 15° (30° total) (lockable)
MAIN MATERIAL	6061-T6 aluminum	6061-T6 aluminum	6061-T6 aluminum	6061-T6 aluminum	6061-T6 aluminum	6061-T6 aluminum
PART NUMBER	7431-K015	7431-K015AES	7431-K017SP	7431-K102SP	7431-K102AES	7431-K102 (NSN#: 1005-20-010-7520)

# ELR BIPOD EXTENDER (with built-in AES)

The ELR bipod extender with built-in Arca Elite System (AES) has been developed with ELR shooters in mind. It allows the shooter to rapidly modify the position of his bipod by simply sliding the AES clamp all along the bottom of the ELR bipod extender. This is especially useful when you are engaging multiple targets requiring completely different elevation angles. It bolts to the bottom of the chassis fore-end tube using either 10-32 or 1/4-28 screws depending on your chassis model. The ELR bipod extender shifts the positioning of the bipod mounting point up to 10" further than end of the fore-end tube which results in a huge stability improvement. It is slightly slanted 3/8" higher at the rear so that a short bipod displacement results in a rapid muzzle rise. It is also compatible with bipod Picatinny rails if you own a bipod with Picatinny head attachment or you may choose to buy the optional AES Clamp for the ultimate experience. The AES features a locking system to ensure that the bipod will not slide under heavy recoil.



Built-in Arca Elite System (AES) - Bottom view

### FEATURES:

- Very fast adjustability of the bipod positioning.
- Shifts the bipod mounting point up to 10" further forward.
- 72 MOA (3/8") slant angle for faster muzzle rise.
- Compatible with standard Arca, AES Clamp or Picatinny rail.

### SPECIFICATIONS

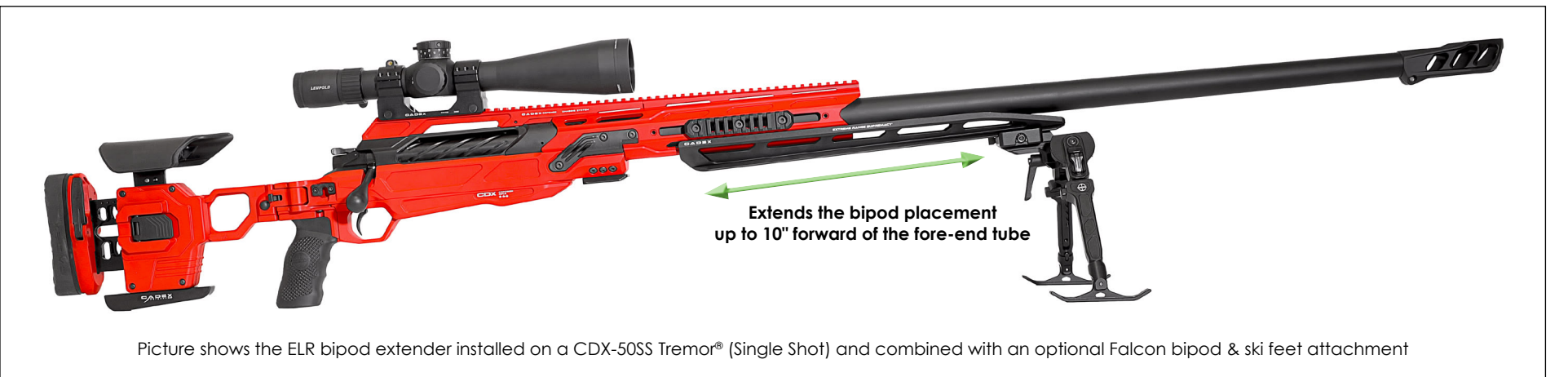
**10-32 model** - Part#: 03127-A1130-K1  
**Dimensions:** 17.7" x 2" x 1.08" | 44.96 x 5.08 x 2.74 cm  
**Weight (±):** 1.38 lb | 627 grams  
**Material:** 6061-T6 aluminum  
 Fits the CDX-MC Kraken, CDX-30/300/33 rifles and chassis using 10-32 time-serts.

### SPECIFICATIONS

**1/4-28 model** - Part#: 03127-A1129-K1  
**Dimensions:** 17.7" x 2.2" x 1.29" | 44.96 x 5.59 x 3.28 cm  
**Weight (±):** 1.49 lb | 678 grams  
**Material:** 6061-T6 aluminum  
 Fits the CDX-40/50 rifles using 1/4-28 time-serts.



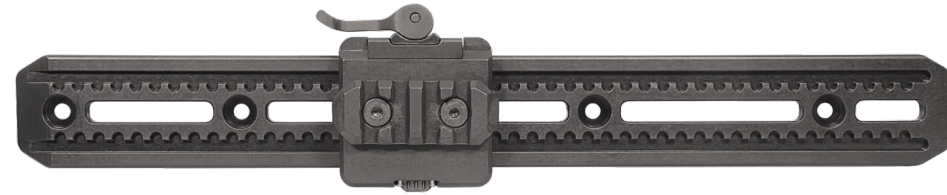
Shown with optional Falcon bipod



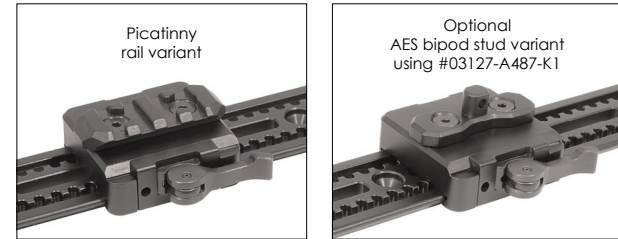
Picture shows the ELR bipod extender installed on a CDX-50SS Tremor® (Single Shot) and combined with an optional Falcon bipod & ski feet attachment

# ARCA ELITE SYSTEM (AES)

With over a year of input and development, Cadex is releasing the ARCA Elite System (AES). The AES system is designed for a quick and smooth manipulation that locks up solidly. Using two stainless pins, the AES clamp locks into the precision machined serrations down the center of the ARCA rail creating a system that will not move, even under the most extreme conditions. This is a huge improvement over the original ARCA design well known to slip under recoil.



- FULL KIT**
- #AES-PRK419 (AES Rail M-LOK)  
CDX-R7 LCP/FCP rifles and Lite/Field Competition chassis
  - #AES-PRK430 (AES Rail M-LOK)  
CDX-R7 SHP, CDX-SS Covert rifles and Strike Nuke Evo chassis
  - #AES-PRK439 (AES Rail M-LOK)  
CDX-R7 XS, X-LITE series rifles and Strike XS chassis
  - #AES-PRK433 (AES Rail 1/4-28)  
Dual Strike chassis McMillan TAC-50® (won't fit Dual Strike prior 2014)
  - #AES-PRK435 (AES Rail 10-32)  
CDX-MC Kraken® rifles
  - #AES-PRK431 (AES Rail 10-32)  
CDX-R7 CPS, CDX-30/300/33 rifles and Dual/Lite Strike, Field Tactical chassis
  - #AES-PRK432 (AES Rail 1/4-28)  
CDX-40 SHDW and CDX-50 Tremor® rifles
  - #AES-PRK946 (AES Rail 1/4-28)  
CDX-BMG Quake rifles



## AES RAIL FEATURES:

- Rail section that attaches to the chassis fore-end tube.
- Precision machined from solid 6061-T6 aluminum to the tightest tolerances in the industry.
- Built to the RRS standard ARCA rail dimensions to ensure all clamping systems work perfectly.
- Locking serrations are flush to the bottom so they will not interfere with clamping on a tripod.
- Deep locking serrations for positive lock up and guaranteed not to slip under recoil and loading.

## AES CLAMP FEATURES:

- Adjustable tension on the AES clamp for a perfect fit.
- Machined from solid 6061-T6 aluminum with stainless steel locking pins.
- The AES clamp can be used on competitors' ARCA rails by removing the stainless steel locking pins.
- Cadex's quick throw lever system for lightning fast manipulation.
- Attachment of bipods through Picatinny/1913 rail or bipod/sling stud interface.
- All parts available separately or sold as a kit.

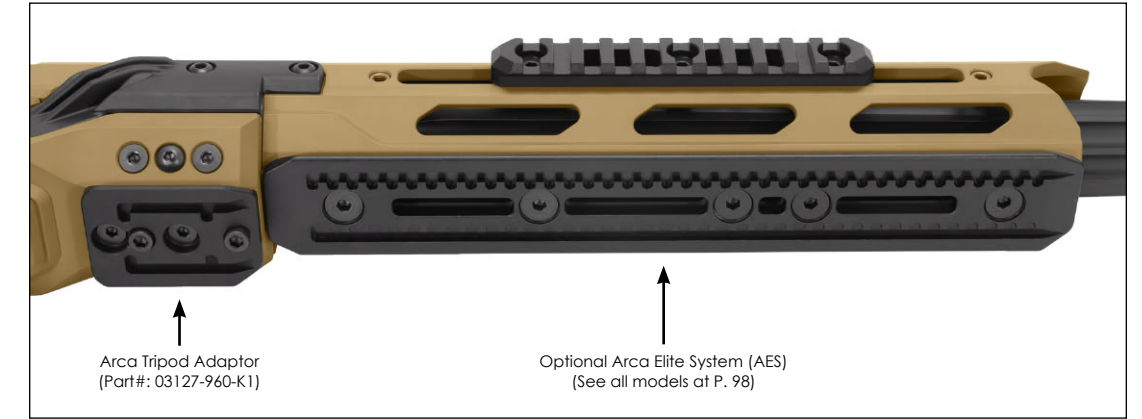
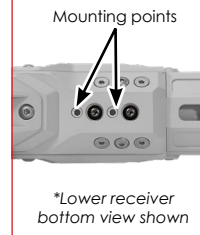


# TRIPOD ADAPTORS

PRS shooters and snipers share the same challenge in the field. Finding a stable shooting position is often impossible and this is when a ruggedized tripod is a must.

The Cadex Arca & RC2 adaptors bolt on the lower receiver of most of our rifles and chassis to perfectly balance them on the tripod. When prone isn't an option, this is the way to go.

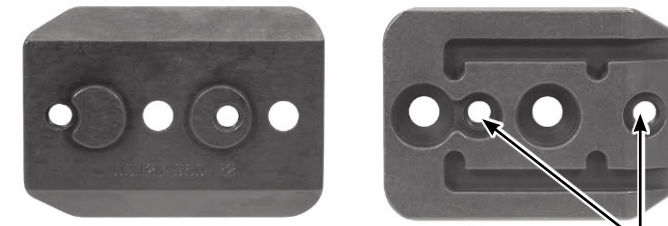
**ONLY compatible on chassis models with two mounting points**



*\*It is critical to use a tripod and tripod head capable of supporting the weight of the rifle*

## ARCA TRIPOD ADAPTOR

TOP (chassis side) BOTTOM (tripod side)



Includes two optional recoil stopper screws\*  
*\*May not work with all ball heads*

### SPECIFICATIONS

Part#: 03127-960-K1

**Dimensions:**  
2.1" x 1.5" x 0.37"  
5.33 x 3.81 x 0.94 cm

**Weight (±):**  
0.07 lb | 32 grams

**Material:**  
6061-T6 aluminum

## RC2 TRIPOD ADAPTOR

TOP (chassis side) BOTTOM (tripod side)



### SPECIFICATIONS

Part#: 03127-962-K1

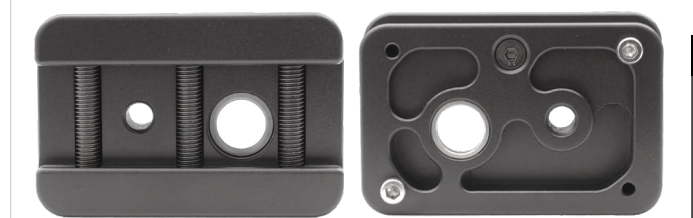
**Dimensions:**  
2.1" x 1.68" x 0.38"  
5.33 x 4.27 x 0.97 cm

**Weight (±):**  
0.12 lb | 54 grams

**Material:**  
6061-T6 aluminum

## TRIPOD PICATINNY TO ARCA BLOCK

TOP (chassis side) BOTTOM (tripod side)



**NEW**

### SPECIFICATIONS

Part#: CDX-BLOCK-GS1

**Dimensions:**  
2.37" x 1.5" x 0.83"  
6.02 x 3.81 x 2.11 cm

**Weight (±):**  
0.18 lb | 81 grams

**Material:**  
6061-T6 aluminum

**CONVERTS ANY PICATINNY RAIL TO ARCA**



Rifle shown mounted on a Arca Tripod Adaptor  
(Part#: 03127-960-K1)

## SEPARATE ITEMS

- AES Rail (M-LOK)** #03127-A419-K1  
Rifles: CDX-R7 LCP/FCP Series\*  
Chassis: Lite/Field Competition\*  
(\*M-LOK models only)
- AES Rail (M-LOK)** #03127-A430-K1  
Rifles: CDX-R7 SHP Series, CDX-SS Covert  
Chassis: Strike Nuke Evo
- AES Rail (10-32)** #03127-A431-K1  
Rifles: CDX-R7 CPS, CDX-30/300/33  
Chassis: Dual/Lite Strike, Field Tactical  
(Also fits non M-LOK LCP/FCP models)
- AES Rail (1/4-28)** #03127-A432-K1  
Rifles: CDX-40 SHDW, CDX-50 Tremor®  
Chassis: Dual Strike CDX-40/50 actions
- AES Clamp (QD)** #03127-A417-K1
- AES Bipod Rail Adaptor** #03127-A488-K1
- AES Bipod Stud Adaptor** #03127-A487-K1
- AES Rail (M-LOK)** #03127-A439-K1  
Rifles: CDX-R7 XS, X-LITE series  
Chassis: Strike XS
- AES Rail (10-32)** #03127-A435-K1  
Rifle: CDX-MC Kraken®
- AES Rail (1/4-28)** #03127-A433-K1  
Chassis: Dual Strike McMillan TAC-50®  
(Won't fit Dual Strike prior 2014)
- AES Rail (1/4-28)** #03127-946-K1  
Rifle: CDX-BMG Quake

# CDX CARBON TRIPOD

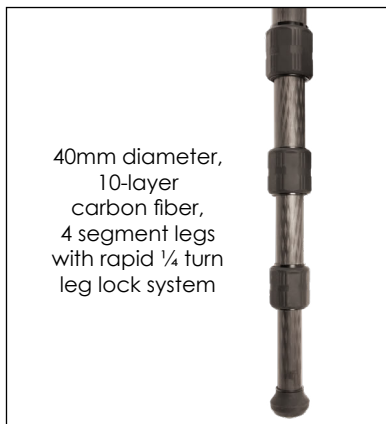
If you have never experienced shooting from a tripod, you have yet to experience the best kept secret in the shooting sports industry. Tripods are not just a PRS shooting trend, they completely revolutionized hunting and long range shooting by providing hunters and shooters with unprecedented versatility. Being able to engage targets without ever being worried about finding a suitable shooting stance is a game changer. The tremendous clamping power of the 55mm ball head is capable of securing rifles up to 55 pounds. Its 360° adjustable ball head with quick-release lever allows for rapid installation and removal of the rifle. The 40mm diameter carbon fiber legs can support a weight of up to 110 pounds, making it the strongest and most rigid portable tripod. The CDX tripod offers the ultimate adjustability, versatility and stability a tripod could offer. Whether for hunting, photography or for reconnaissance operations, the CDX carbon fiber tripod with ball head is a must.

## TRIPOD FEATURES:

- Aircraft grade aluminum with hard anodized finish.
- 40mm diameter, 10-layer carbon fiber, 4 segment legs with rapid ¼ turn leg lock system that rise to a maximum height of 78".
- 3 position articulated legs (basic 25°, wide 55° and prone 85° positions).
- 100mm quick-release plate with universal 3/8-16 mounting screw.
- 50 kg / 110 lb max weight.
- Interchangeable rubber feet and steel spikes included.
- Underbelly counterweight hook.
- Cadex rubberized handle.
- Tan color padded transport bag with Cadex embroidered logos.

## BALL HEAD FEATURES:

- Aircraft grade aluminum with hard anodized finish.
- Silky smooth 55mm diameter heavy duty ball head.
- 25 kg / 55 lb max weight.
- 3 tension lock knobs (rotation, panning/canting).
- Arca-Swiss clamp with quick-release lever and 1/4-20 screw Q-R plate.
- Also compatible with Arca Elite System (AES) - P. 98.
- Tooling included.



## SPECIFICATIONS

Part#: CDX-TRIPOD  
 Minimum height: 8.5" | 21.59 cm  
 Maximum height: 78" | 198.12 cm  
 Tripod weight (±): 6.83 lb | 3098 grams  
 Ball head weight (±): 2.16 lb | 980 grams  
 Total weight (±): 8.99 lb | 4078 grams

# ACCESSORIES

TRIPOD CARRYING SLING  
 Part#: CDX-TRIPOD-SLING40

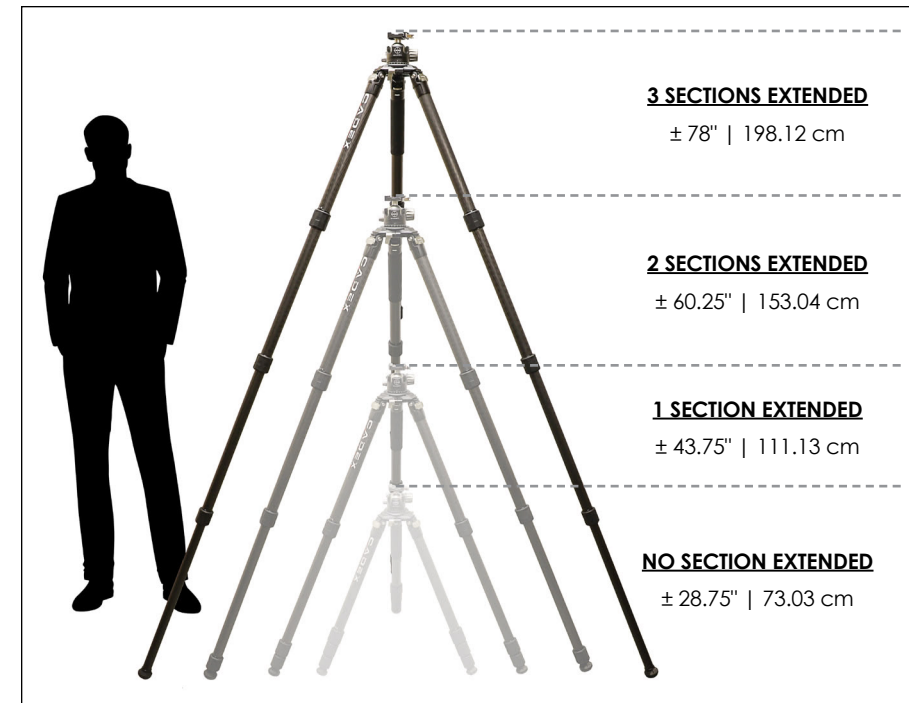
**NEW**



\*Fits 40mm leg only. Do not fit Tripod Lite.

TRIPOD ARTICULATED ARM  
 Part#: CDX-TRIPOD-ARM

**NEW**



# CDX TRIPOD LITE

The CDX Tripod Lite is a lightweight tripod that comes with a center column for flexibility in height adjustments. This tripod is more "hunter friendly" due to its lightweight and very fast locking systems. The aluminum housing is CNC machined from 7075 aluminum creating the ultimate strength and durability while the 28mm legs feature carbon fiber with increased density. Central locking system with a "Q-shaped" design allowing the user to swap the center within a few seconds. The legs feature independent spread to achieve level positioning on uneven terrain and to allow a low perspective minimum shooting height while still maintaining a load capacity of 22 lb.

## FEATURES:

- Center column length: 12.2" / 310mm
- Platform diameter: 1.84" / 47mm
- Removable hook that can attach to both center column and platform
- Mushroom-shaped rubber feet with reinforced aluminum inner core
- Included stainless steel spike foot set to swap for various terrain
- 28mm diameter, 4 segment legs
- 3 position articulated legs (basic 25°, wide 55° and prone 85° positions)
- Max load: 22.05 lb / 10 kg



## SPECIFICATIONS

Part#: CDX-TRIPOD-LITE  
 Minimum height: 2.99" | 7.59 cm  
 Maximum height (w/o center column): 47.48" | 120.60 cm  
 Maximum height (with center column): 58.9" | 149.61 cm  
 Total weight (±) (w/o center column): 3.62 lb | 1642 grams



**NEW**

# CDX CLEANING KITS

Even the most accurate rifle in the world can produce poor performance if basic maintenance is not performed. It is critical to follow the manufacturer's cleaning procedure in order to maintain optimal performance. For the aforementioned reason, Cadex has put together a few cleaning kits which contains everything you'll need (except chemicals) to perform the maintenance of your rifle. These cleaning kits are complete, affordable and adapted to different applications where cleaning may be required. They are "caliber based" and fit all our rifle platforms\*.

\*Not compatible with CDX-40 SHDW 36" & CDX-50 TREMOR 40" barrels.

### EACH KIT INCLUDES:

- One-piece cleaning rod
- Multi-section cleaning rod
- Flexible rod with T-Handle
- Bore snake
- Brass brush
- Cotton mop
- Nylon brush
- Chamber brush (may not fit every caliber)
- Brass slotted tip
- Brass jag tip
- Bore guide kit
- Double-end utility brushes (3x)
- Round cleaning patches (100 units)
- Storage pouch with molle system

**BORE GUIDE ONLY ALSO AVAILABLE**

### BORE GUIDE MASTER KIT

Part#: BG-MASTER

The bore guide master kit is designed to fit Rem 700 and all Cadex rifles.

#### INCLUDES:

- 2x main tubes (universal & 50 cal)
- 5x action bushings
- 2x rear plastic guides with solvent port
- 4x interchangeable chamber tips
- 2x brass handles for action bushings



# CHASSIS HARDWARE

### TORQUE LIMITERS FIELD KIT - Part#: 175-00080-K1



Field tooling kit with torque limiters and a variety of driving bits adapted to Cadex rifles\* and chassis. Comes in a compact molle webbing pouch for easy carry. Velcro patch included\*\*.

\*Doesn't include a torque limiter for the CDX-MC Kraken®, CDX-40 SHDW, CDX-50 Tremor® and CDX-X60 action screws.

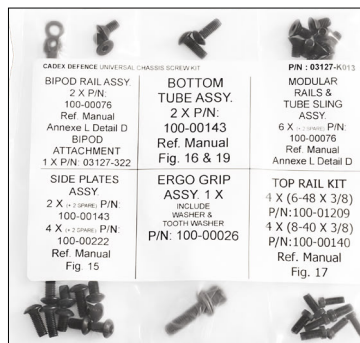
#### CONTAINS:

- Storage pouch / Cadex patch
- "T" wrench
- 6 in-lb limiter
- 25 in-lb limiter
- 35 in-lb limiter
- 45 in-lb limiter
- 65 in-lb limiter
- 1/2 socket
- Hex shank to square drive adaptor
- 5/64 (short)
- 3/32 (short)
- 1/8 (short)
- 1/8 (long)
- 5/32 (short)
- 5/32 (long)
- 3/16 (short)
- 3/16 round nose (extra long)
- T-8W (long)
- T-10 (short)
- T-15 (short)
- T-15W (long)
- T-20 (short)
- T-25 (short)
- T-30 (short)
- 2.5mm hex bit (short)
- 3mm hex bit (short)
- 4mm hex bit (short)
- 5mm hex bit (short)
- PH-1 (short)
- Flat #5 (short)



\*\*Velcro patch model may vary based on availability.

### UNIVERSAL CHASSIS SCREW KIT - Part#: 03127-K013

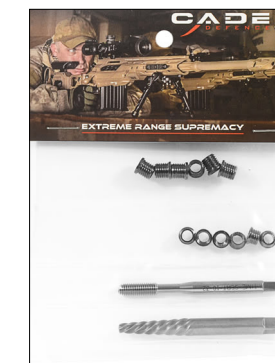


The universal chassis screw kit contains an assortment of replacement screws to revamp your chassis. If your chassis has seen better days and you'd like to refresh its hardware then this kit is what you are looking for. Contains enough screws to outfit any Cadex chassis.

#### CONTAINS:

- 2x Bipod rail screws
- 1x Bipod/Sling stud
- 2x Fore-end tube assy screws
- 8x Modular rail screws
- 4x Side plate and boomerang screws (long)
- 6x Side plate and boomerang screws (short)
- 1x Grip assy washers and screws
- 4x #6-48 top rail screws
- 4x #8-40 top rail screws

### 10-32 TIME-SERT REPAIR KIT - Part#: 03127-K029



You went too fast and cross-threaded a screw? You didn't respect the recommended torque and broke a time-sert? This kit is for you.

#### CONTAINS:

- 1x Time-sert extractor
- 1x Time-sert driver
- 6x Short time-serts
- 6x Long time-serts

\*Red Loctite® highly recommended (not included)

You are mechanically inclined and wish to add some time-serts where it wasn't designed for? You'll also need:

#### NOT INCLUDED:

- 1x Drill #21
- 1x Helicoil tap 10-32

CDX CLEANING KIT CONTENT LIST AND PART NUMBERS							
	6.5	308	338	375	408	50 BMG	14.5
Storage pouch with molle system	•	•	•	•	•	•	•
Universal bore guide kit (6.5mm/.30/.33/.375/.408)	•	•	•	•	•		
.50 cal bore guide kit						•	
CDX-X60 bore guide kit							•
One-piece cleaning rod (Ø 6mm x 100cm)	•	•	•				
One-piece cleaning rod (Ø 8mm x 115cm)				•	•		
One-piece cleaning rod (Ø 8mm x 150cm)							•
Flexible rod with T-Handle (130cm)	•	•	•	•	•	•	•
Flexible rod with T-Handle (150cm)							•
Multi-section cleaning rod with T-Handle (Ø 6mm x 130cm)	•	•	•				
Multi-section cleaning rod with T-Handle (Ø 8mm x 130cm)				•	•		•
Multi-section cleaning rod with T-Handle (Ø 8mm x 156cm)							•
Round cleaning patches - Ø 1-1/4" - (100x)	•						
Round cleaning patches - Ø 1-3/4" - (100x)		•	•				
Round cleaning patches - Ø 2-1/2" - (100x)				•	•	•	•
Brass brush	•	•	•	•	•	•	•
Cotton mop	•	•	•	•	•	•	•
Nylon brush	•	•	•	•	•	•	•
Brass slotted tip	•	•	•	•	•	•	•
Brass jag tip	•	•	•	•	•	•	•
Chamber brush	•	•	•	•	•	•	•
Bore snake	•	•	•	•	•	•	•
Double-end utility brushes (3x)	•	•	•	•	•	•	•
PART NUMBERS	CLEAN-6.5	CLEAN-308	CLEAN-338	CLEAN-375	CLEAN-408	CLEAN-50	CLEAN-60

# ACCESSORIES

## BEAN BAG RIDER

The bean bag rider was designed to sit securely on your bean bag. It allows the shooter to make minute corrections while ensuring the bean bag won't slip out of position. Adapts to most Cadex rifles and chassis rear stocks.

### SPECIFICATIONS

**Part#:** 03127-269-K1  
**Dimensions:** 3.09" x 1.01" x 0.94" | 7.85 x 2.57 x 2.39 cm  
**Weight (±):** 0.034 lb | 15 grams  
**Material:** Fiber reinforced composite (NSN#: 1005-20-010-6214)



## ELR BAG RIDER

The ELR bag rider was specifically designed to work with "F-Class" style rear bags. Adapts to most Cadex rifles and chassis rear stocks.

### SPECIFICATIONS

**Part#:** 03127-950-K1  
**Dimensions:** 4.99" x 1.2" x 0.87" | 12.67 x 3.05 x 2.21 cm  
**Weight (±):** 0.29 lb | 132 grams  
**Material:** 6061-T6 aluminum

- Precision machined from 6061-T6 aluminum.
- Recessed center to reduce friction and enhance tracking.
- Slotted attachment point to allow for precise placement.
- Anodized finished.



## MONOPOD KIT

### SPECIFICATIONS

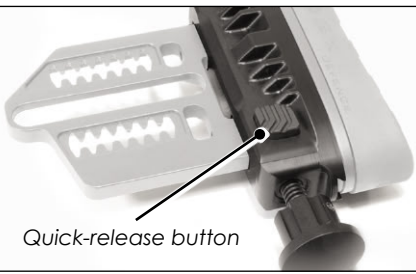
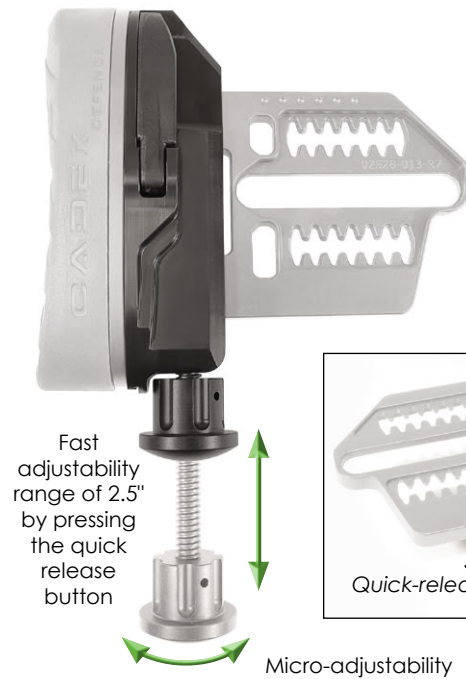
**Part#:** MONO-KIT  
**Dimensions:** 1.98" x 1.57" x 6.67" | 5.03 x 3.99 x 16.94 cm  
**Weight (±):** 0.73 lb | 331 grams  
**Material:** Alloy & composite

Why encumber yourself with a heavy bean bag when you can deploy an adjustable height rear rest by the push of a button? The monopod kit is the solution for tactical applications where a rear rest is not available. The monopod kit installs easily on any Cadex rifles\* and chassis systems equipped with the Cadex original or skeleton stock.

\*Not designed for the CDX-X60 rifle

### FEATURES:

- Fast to deploy by the simple push of the quick-release button.
- Micro-adjustable height by turning the base clockwise or counter clockwise.
- Replaces the rifle or chassis original butt pad mounting plate.
- Available in black color only.



Shaded parts to be re-used from customer's rifle or chassis

## NEOPRENE CHEEK PAD

\*Neoprene cheek pad only, cheek rest not included



### Part#: 03127-2070-K1

For CDX-SS SEVEN S.T.A.R.S. PRO/COVERT, CDX-R7 XS rifles and Strike Pro, Strike XS chassis.

### Part#: 03127-693-N18

For CDX-R7 SHP Series rifles and Strike Nuke Evo chassis.

### Part#: 03127-772-K1

For CDX-R7 CRBN, CDX-R7 SPTR rifles and Tundra Strike chassis.

### **NEW** Part#: 03127-2243-K1

For any other Cadex rifles or chassis. 2026 and up models.

### Part#: 03127-693-L18-RH (right) / 03127-693-L18-LH (left)

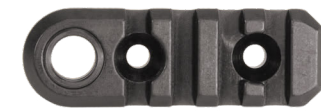
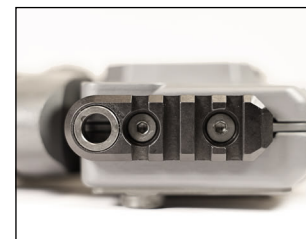
For any other Cadex rifles or chassis. Right or left. Prior to 2026.

# SLING MOUNTS

## BUTTSTOCK MOUNTING

### SPECIFICATIONS

**Monopod rail with flush cup**  
 Part#: 03127-A173-K1  
**Dimensions:** 2.64" x 0.83" x 0.43" | 6.71 x 2.11 x 1.09 cm  
**Weight (±):** 0.053 lb | 24 grams  
**Material:** 6061-T6 aluminum



### SPECIFICATIONS

**Rear sling stud/AES bipod stud**  
 Part#: 03127-A487-K1  
**Dimensions:** 2" x 0.65" x 0.63" | 3.89 x 1.58 x 1.91 cm  
**Weight (±):** 0.024 lb | 11 grams  
**Material:** 6061-T6 aluminum



\*Replaces the standard monopod rail

## FORE-END TUBE MOUNTING

### SPECIFICATIONS

**Flush cup sling adaptor**  
 Part#: 03127-A174-K1  
**Dimensions:** 1.44" x 0.75" x 0.33" | 3.67 x 1.91 x 0.86 cm  
**Weight (±):** 0.029 lb | 13 grams  
**Material:** 6061-T6 aluminum



### SPECIFICATIONS

**Small Picatinny sling adaptor**  
 Part#: 1757  
**Dimensions:** 1.53" x 0.62" x 0.75" | 3.89 x 1.58 x 1.91 cm  
**Weight (±):** 0.029 lb | 13 grams  
**Material:** 6061-T6 aluminum



(NSN#: 1005-20-008-0123)

Cadex sling mounts are compatible with most common quick-detachable push buttons and Uncle Mike's style sling swivels on the market. They are versatile mounts that allow shooters to vary the location of the sling attachment on their weapon. These are top of the line sling attachments with tight machining tolerances. Always test for fit and function prior to attaching your rifle as mass-production swivels are sometimes out-of-specs.

### FEATURES:

- Fits all Mil Std quick-release sling swivels.
- Attaches to Mil Std M1913 rails.
- Compact size.

### SPECIFICATIONS

**VTAC L.U.S.A 4 point sling adaptor**  
 Part#: 1398  
 (NSN: 1005-01-561-0488)  
**Dimensions:** 1.52" x 1.33" x 0.75" | 3.86 x 3.4 x 1.91 cm  
**Weight (±):** 0.051 lb | 23 grams  
**Material:** 6061-T6 aluminum



### VTAC L.U.S.A. 4 sling attachment methods:

- 1- Passing the sling through the sling loop
- 2- HK hooks and similar quick-release devices
- 3- Push button type quick-release sling swivels
- 4- Locking type sling swivels for sling studs



All flush cup sling adaptors to be used with QD push button swivel

Part#: 175-00006-BLK



# MODULAR ACCESSORIES

## 3" MODULAR PICATINNY RAIL

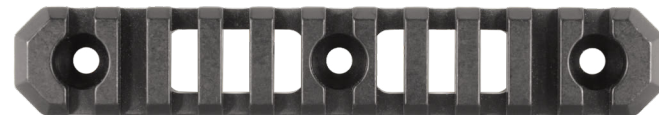
Part#: 03127-A078-K1



(NSN#: 1005-20-008-9977)

## 5" MODULAR PICATINNY RAIL

Part#: 03127-A017-K1



(NSN#: 1005-20-011-9507)

Cadex modular accessories are designed to fit on Cadex modular products such as rifles, chassis and shotgun accessories. Most rails also fit Remington® products such as the MSR rifle and RACS chassis. The 3", 3.5", 5" & 9" rails and the 10-32 chassis weights bolt on the Cadex proprietary 10-32 slot mounting pattern. The centre bipod rail and centre accessory rail kit can be installed on most Cadex rifles and chassis systems. All rails are made of aircraft grade 6061-T6 aluminum and include mounting screws.

## 9" ALUMINUM BIPOD RAIL

Part#: 03127-K015

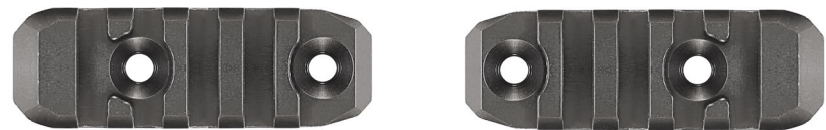


### COMPATIBLE WITH:

- CDX-MC Kraken®, CDX-R7 CPS & CDX-30/300/33 series rifles (not CDX-40/50). The Dual Strike (not 50 BMG), Life Strike and Field Tactical chassis.
- Also fit non M-LOK generation of CDX-R7 LCP/FCP, CDX-R7 SHP rifles and Life/Field Competition, Strike Nuke chassis. (Prior to 2018 models)

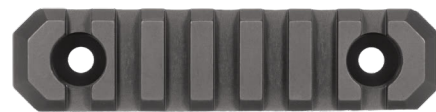
## CENTRE ACCESSORY RAIL KIT (2)

Part#: 03127-A083-K2



## 3.5" ALUMINUM BIPOD RAIL

Part#: 03127-A002-K1



## 10-32 CHASSIS WEIGHTS (2)

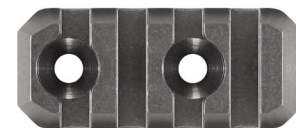
Part#: 03127-921-K2



The 10-32 chassis weights allow shooters to balance their rifle perfectly. Competitive shooters have known for years the benefits of a well balanced gun and additional weight for reducing felt recoil. Weights are made from stainless steel and weigh in at 0.67 lb (300 grams) per pair.

## CENTRE BIPOD RAIL

Part#: 03127-A019-K1



\*Fits only chassis and rifle models with underbelly mounting points.



# M-LOK ACCESSORIES



With the growing popularity of PRS style shooting competitions came a huge selection of aftermarket accessories using the M-LOK technology. With more possible positioning than any other system, the M-LOK system offers a true benefit for the competition shooter.

From now on, all products featuring an M-LOK logo next to their names will feature this technology. The M-LOK system isn't compatible with Cadex's previous screw pattern, rails and accessories so make sure to order M-LOK accessories if your chassis or rifle features the M-LOK technology.



INSTALL/UNINSTALL



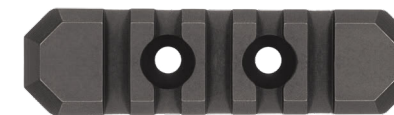
TIGHTEN



T-NUT LOCKED

## M-LOK 3" MODULAR PICATINNY RAIL

Part#: 03127-A078ML



## M-LOK 3.5" ALUMINUM BIPOD RAIL

Part#: 03127-A002ML



## M-LOK 5" MODULAR PICATINNY RAIL

Part#: 03127-A017ML



## M-LOK 9" ALUMINUM BIPOD RAIL

Part#: 03127-K015ML



## M-LOK FLUSH CUP SLING ADAPTOR

Part#: 03127-A174ML

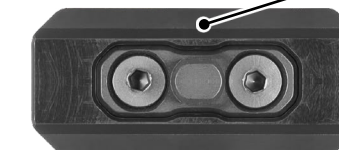


## M-LOK BIPOD / SLING ADAPTOR

Part#: 03127-957ML



Bipod mounting plate included



## M-LOK STACKABLE CHASSIS WEIGHTS (2)

Part#: 03127-949ML-K2



The M-LOK stackable chassis weights allow shooters to balance their rifle perfectly. Competitive shooters have known for years the benefits of a well balanced gun and additional weight for reducing felt recoil. Weights are made from stainless steel and weigh in at 0.67 lb (300 grams) per pair.

# UNIVERSAL RAILS

## DO IT YOURSELF INSTALLATION

The following products have been developed to make the installation of rails possible on products that were not initially designed to incorporate rails. For example, adding a night vision flat rail on a Competition chassis fore-end tube that does not feature any mounting points at 12 o'clock. If you have basic mechanical knowledge and know how to operate a drill, these rails are the solution you were looking for.

## FEATURES:

- Made of aircraft grade 6061-T6 aluminum.
- Picatinny style rails.
- Includes mounting screws.

### UNIVERSAL 9" NVD RAIL - Part#: 03127-012-K1

The universal 9" NVD rail installs at the 12 o'clock position on the fore-end tube of Cadex's Competition series rifles and chassis. The rail bottom is flat and features a 4 screw hole pattern. You will need to drill and tap the fore-end tube at specific locations in order to install this rail. Once installed, your chassis will be able to accommodate a night vision or thermal imaging device. Mounting screws and a drilling template are included within the kit.

## FITS:

- CDX-R7 LCP/FCP rifles
- Lite/Field Competition chassis
- PRO handguard (#03127-A2063)

**Estimated time:** 30 min


**Degree of difficulty:** 



### UNIVERSAL 3.5" BIPOD RAIL - Part#: 03127-007-K1

The universal 3.5" bipod rail features a flat bottom, one #10 size screw hole and one oblong slot that can accommodate multiple bolt patterns. You may install it at various locations on your rifle stock or chassis system to provide you with a Picatinny rail attachment for bipod or other accessories. It includes a variety of mounting screws so that it is very versatile.

**Estimated time:** 10 min

**Degree of difficulty:** 



# FOLDING & STUBBY GRIP

The Cadex folding grip and stubby grip provide the operator with a weapon hold that is adaptable to changing tactical conditions.

## FEATURES:

- Folding grip folds parallel to the barrel to be more compact and provide multiple hand hold options.
- Fits Mil Std 1913 and Weaver rails.
- Comes in Black, OD Green or Tan.
- Rattle proof self-draining storage compartment for 2x (folding) and 1x (stubby) CR123 batteries.
- Ambidextrous design.
- Solid and lightweight.



**SPECIFICATIONS**

**Folding grip**  
Part#: 622-000-BLK • 622-000-TAN • 622-000-ODG

**Dimensions:**  
2.81" x 1.67" x 5.62" | 7.16 x 4.26 x 14.28 cm

**Dimensions folded:**  
2.4" x 1.67" x 5.68" | 6.09 x 4.26 x 14.42 cm

**Weight (±):** 0.29 lb | 131 grams

**Material:** Nylon

**SPECIFICATIONS**

**Stubby grip**  
Part#: 1979-BLK • 1979-TAN • 1979-ODG

**Dimensions:**  
2.76" x 1.7" x 3.83" | 7.01 x 4.32 x 9.73 cm

**Weight (±):** 0.21 lb | 95 grams

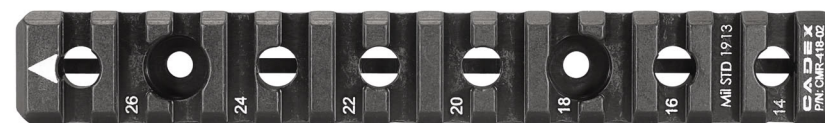
**Material:** Nylon

## NSN#:

- 1005-20-002-9378 (for 622-000-ODG)
- 1005-20-009-2174 (for 1979-BLK)
- 1005-20-009-2173 (for 1979-TAN)
- 1005-20-009-2172 (for 1979-ODG)



# 6" CARBINE PICATINNY RAIL



## SPECIFICATIONS

**6" carbine Picatinny rail**  
Part#: CMR-418-02

**Dimensions:**  
6" x 0.83" x 0.56"  
15.24 x 2.11 x 1.43 cm

**Weight (±):**  
0.09 lb | 43 grams

**Material:**  
6061-T6 aluminum

The Cadex 6" carbine Picatinny rail attach to the handguard of the M4/C8 carbine or M16/C7 rifle to provide a sturdy Picatinny rail for mounting grips, lasers and other accessories. Also fit AR15s equipped with an A2 handguard. The rail's base is angled to match the handguard taper.

## 0.9° ANGLE CORRECTION



# FORE-END RAIL

Accuracy International® AW/AICS



**SPECIFICATIONS**  
**Accuracy International® fore-end rail**  
 Part#: 1272-A002 (NSN#: 1005-20-011-8296)  
**Dimensions:**  
 11.81" x 3.34" x 2.72" | 30 x 8.5 x 6.9 cm  
**Weight (±):** 1.09 lb | 496 grams  
**Material:** 6061-T6 aluminum



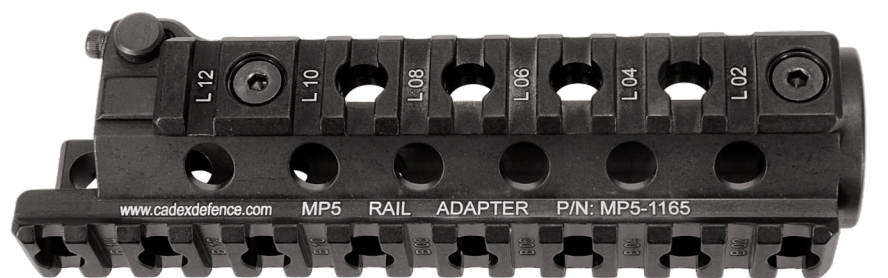
The Cadex fore-end rail provides users of the Accuracy International® rifle or chassis with a world-class mount for in line night vision, lasers and accessories. Designed for the Accuracy International Chassis System (AICS, AW\*), it provides Mil Std M1913 rails at the 3, 9 and 12 o'clock position.

\*Does not fit AW Gen 2

### FEATURES:

- Allows the sniper to install/remove night vision devices without adjusting zero of their primary sniper optic.
- Places the sniper optic and attached night vision on the same plane.
- Side rails provide excellent zero retention of side-mounted laser.
- 0 MOA is standard, but other MOAs are also available on special run.

# MP5 FORE-END RAIL



The Cadex MP5 fore-end rail provides the operator with a solid base to accessorize the Heckler & Koch® MP5.

### FEATURES:

- Three M1913 mounting rails at 3, 6 and 9 o'clock.
- Provides rigid mounting for lights, lasers and other accessories.
- Easy installation using existing mounting holes.

**SPECIFICATIONS**  
**MP5 fore-end rail**  
 Part#: 1165  
**Dimensions:**  
 3.94" x 2" x 1.78" | 10.03 x 5.1 x 4.52 cm  
**Weight (±):** 0.27 lb | 124 grams  
**Material:** 6061-T6 aluminum

# M4 EXTENDED FORE-END RAIL

The Cadex M4 extended fore-end rail provides the user with a world-class mount. It is a light and strong rail system. The Cadex rail extension system is produced out of one solid piece of 6061-T6 aluminum and designed for toughness and durability. Its ergonomic design, with multiple rail configurations, allows for great maneuverability and precision improvement. It meets the Mil Std M1913 for rails.

**SPECIFICATIONS**  
**Part#: 4093**  
**Dimensions:**  
 6.34" x 2.19" x 2.3" | 16.1 x 5.56 x 5.84 cm  
**Weight (±):**  
 0.6 lb | 271 grams  
**Material:**  
 6061-T6 aluminum



### FEATURES:

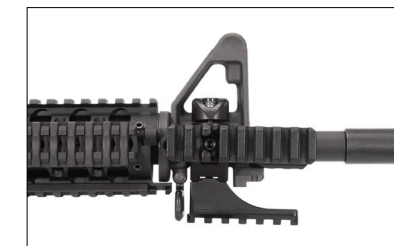
- Fits on Knight's Armament® model. May fit other AR models with A-frame front sight assembly.
- 2 built-in flush cups.
- One piece design for toughness and durability.
- Multiple end rail position configurations.
- Ergonomic design for maneuverability improvement.
- Allows the operator to extend the handle grip position on the fore-end of the rifle.



# TRI-RAIL MOUNT

The Cadex tri-rail mount for the C7/C8, M4/M16 and AR-15 family of small arms provides users with a robust mount for laser pointers, illumination devices and bipods. Mil Std 1913 rails at the 3, 6 and 9 o'clock positions.

**SPECIFICATIONS**  
**Part#: 1220**  
**Dimensions:**  
 3.33" x 2.92" x 2.83" | 8.47 x 7.42 x 7.21 cm  
**Weight (±):**  
 0.37 lb | 166 grams  
**Material:**  
 6061-T6 aluminum



### FEATURES:

- The rail reduces heat transferred to attached electro-optics.
- Installation requires no modifications to the weapon.
- Removable rails allow the user to reduce the weapon's weight and profile, according to their mission.
- Individually removable rails.



(NSN#: 1005-20-009-6220)

# SHOTGUN ACCESSORIES

# SHOTGUN ACCESSORIES



## 870 TOP RAIL

Cadex's rail system takes the Remington® 870 shotgun to a new level of versatility, providing a mounting platform that tailors the shotgun to the mission.

### FEATURES:

- The Mil Std M1913 rail allows the mounting of red dot sights to help the shooter engage targets quickly and accurately.
- Different combinations of iron sights and mini red dot sights can be mounted to achieve a co-witnessed installation.
- Two side rails are included for mounting lasers or other accessories such as any of Cadex's Sling Mounts or Flashlight Mounts.



\*Does not require any receiver drilling

### SPECIFICATIONS

**Part#:** 1486-A010  
**Dimensions:** 20.88" x 2.17" x 3.13" | 53.04 x 5.51 x 7.95 cm  
**Weight (±):** 0.73 lb | 330 grams  
**Material:** 6061-T6 aluminum

Requires the 870 tactical buttstock adaptor to work (Part#: LB-1486)

## MOSSBERG® 500/590 SADDLE MOUNT

### SPECIFICATIONS

**Part#:** 6381-TR002  
**Dimensions:** 6.93" x 1.74" x 2.49" | 17.6 x 4.42 x 6.32 cm  
**Weight (±):** 0.28 lb | 127 grams  
**Material:** Aluminum & stainless steel



### PICATINNY HAND STOP

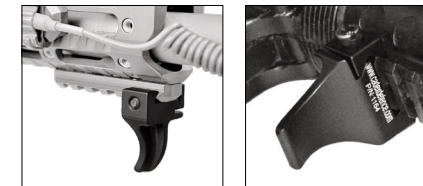
The Cadex Picatinny hand stop enhances safe handling of short barreled weapons by preventing the operator's lead hand from moving forward of the muzzle. It also optimizes weapon control and accuracy by providing a tactile indicator of hand position, which allows a repeatable weapon hold.

### FEATURES:

- Adaptable to both Mil Std M1913 and Weaver rails.
- Assists positive retention of the weapon for maximum muzzle control during rapid fire.
- Perfect for shotgun and carbine.

### SPECIFICATIONS

**Part#:** 1164  
**Dimensions:** 1.5" x 0.62" x 1.74" | 3.81 x 1.57 x 4.42 cm  
**Weight (±):** 0.07 lb | 31 grams  
**Material:** 6061-T6 aluminum



### LOW PROFILE HAND STOP

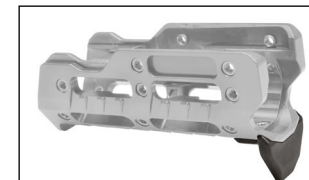
This low profile hand stop provides a safe grip on the firearm, increasing accuracy and reloading speed by allowing the shooter to focus on shooting instead of where its hand is placed. Fits on the 870, the 870 MCS and the Mossberg® 500/590 modular fore-end pumps.

### SPECIFICATIONS

**Part#:** 5181-HS  
**Dimensions:** 1.43" x 0.91" x 1.12" | 3.63 x 2.32 x 2.83 cm  
**Weight (±):** 0.03 lb | 14 grams  
**Material:** 6061-T6 aluminum



(NSN#: 1005-20-009-9091)



### 870 MAG CAP DUAL RAIL - Part#: 1486-A012

Cadex's rail system greatly improves effectiveness of the Remington® 870 shotgun, providing a mounting platform which allows users to tailor the shotgun to the mission. The twin M1913 rails allow mounting of flashlights and lasers providing stability and focus when cycling the action of the shotgun.

### FEATURES:

- Reuses the original 870 mag cap.
- Twin M1913 Rails.
- Mounts in conjunction with the barrel lug and magazine cap, no modification required.
- Users can install accessories such as Sling Mounts or Flashlight Mount.



(NSN#: 1005-20-009-0565)

# SHOTGUN BUTTSTOCK ADAPTORS

for the Remington® 870 and the Mossberg® 500/590

## 870 TACTICAL BUTTSTOCK ADAPTOR



(NSN#: 1005-20-008-9993)

**SPECIFICATIONS**

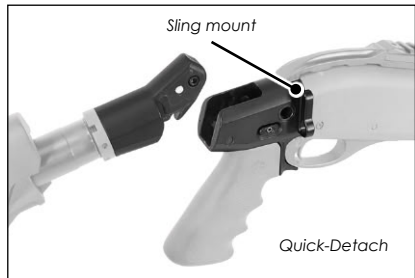
**Part#: LB-1486**

**Dimensions:**  
4.66" x 1.35" x 3.23" | 11.84 x 3.43 x 8.22 cm

**Weight (±):** 0.62 lb | 280 grams

**Dimensions with sling mount:**  
4.66" x 2.02" x 3.23" | 11.84 x 5.13 x 8.22 cm

**Material:** Aluminum & stainless steel



The Cadex tactical buttstock adaptor for the Remington® 870 or the Mossberg® 500/590 provides the operator with a versatile combat/breaching shotgun combination in one weapon.

### FEATURES:

- Allows the shotgun to be quickly configured as a combat or breaching shotgun.
- The buttstock release is a push button mechanism which provides positive locking of the buttstock with no excess movement.



## 870 FIXED BUTTSTOCK ADAPTOR



**SPECIFICATIONS**

**Part#: 1486-037**

**Dimensions:**  
3.45" x 1.35" x 3.24" | 8.76 x 4.87 x 8.23 cm

**Weight (±):** 0.49 lb | 220 grams

**Dimensions with sling mount:**  
3.45" x 2.02" x 3.24" | 8.76 x 5.13 x 8.23 cm

**Material:** Aluminum & stainless steel



## MOSSBERG® 500/590 TACTICAL BUTTSTOCK ADAPTOR

**SPECIFICATIONS**

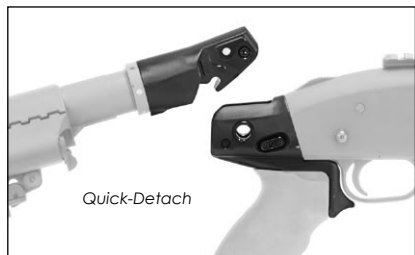
**Part#: LB-6381**

**Dimensions:**  
5.29" x 1.46" x 3.26" | 13.44 x 3.71 x 8.28 cm

**Weight (±):** 0.57 lb | 259 grams

**Dimensions with sling mount:**  
5.29" x 2.13" x 3.26" | 13.44 x 5.41 x 8.28 cm

**Material:** Aluminum & stainless steel



### SPECIFICATIONS

**Part#: 4197**

**Dimensions:**  
7.02" x 1.85" x 2.42"  
17.83 x 4.72 x 6.15 cm

**Weight (±):**  
0.64 lb  
291 grams

**Material:**  
6061-T6 aluminum

(NSN#: 1005-20-009-9980)



\*Shown with optional accessories

## 870 MCS MODULAR FORE-END PUMP

### SPECIFICATIONS

**Part#: 5181**

**Dimensions:**  
5.41" x 1.8" x 1.92"  
13.74 x 4.57 x 4.88 cm

**Weight (±):**  
0.35 lb  
157 grams

**Material:**  
6061-T6 aluminum



# FORE-END PUMPS

Customize your own Shotgun Modular Fore-End Pump

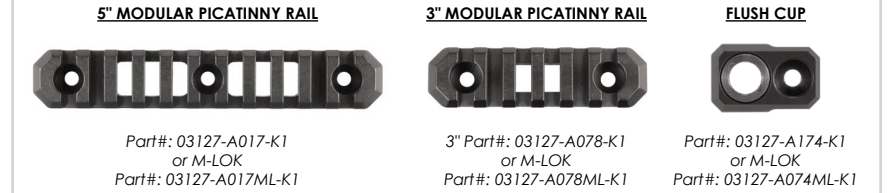
### FEATURES:

- Made out of 6061-T6 aluminum for maximum resistance.
- Multiple rail positions.
- Ergonomic design.
- Allows you to retrofit easily most hand guard for Remington® 870 or Mossberg® 500/590 shotguns.
- Fits from 0 to 7 rails.

The Cadex modular fore-end pump made from 6061-T6 corrosion resistant aluminum offers a world class ergonomic design allowing you to retrofit most Remington® 870 or Mossberg® 500/590 pump handles. 24 threaded inserts allow for multiple rail placements in order to customize your shotgun the way you like it.

*\*Please contact Cadex to ensure compatibility with your current model!*

## OPTIONAL RAILS AND SLING ATTACHMENTS



## 870 MODULAR FORE-END PUMP

## 870 M-LOK MODULAR FORE-END PUMP

### SPECIFICATIONS

**Part#: 4197-004-K1**

**Dimensions:**  
7.00" x 2.40" x 1.65"  
17.78 x 6.10 x 4.20 cm

**Weight (±):**  
0.44 lb  
200 grams

**Material:**  
6061-T6 aluminum



See compatible M-LOK accessories P. 107



## MOSSBERG® 500/590 MODULAR FORE-END PUMP

### SPECIFICATIONS

**Part#: 6381**

**Dimensions:**  
8.75" x 1.8" x 2.09"  
22.23 x 4.57 x 5.31 cm

**Weight (±):**  
0.63 lb  
285 grams

**Material:**  
6061-T6 aluminum



\*Shown with optional accessories



# NIGHT VISION TUBES

**PHOTONIS**  
EXOSENS GROUP

**4G+**  
TECHNOLOGY

**4G**  
TECHNOLOGY



**FEATURES:**

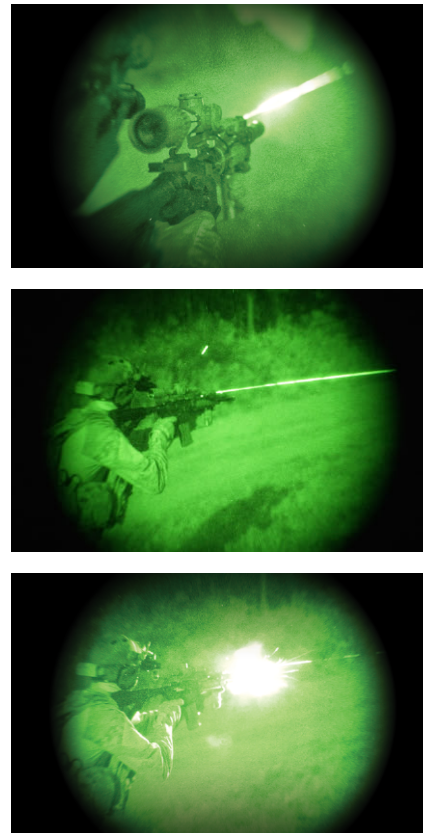
- High quality image in the darkest nights
- Ultra fast auto-gating
- Extended spectral range from 350nm to 1064nm
- Selected for all major Land forces programs in Europe and over the world

**4G+**

The 4G+ Image Intensifier Tube (IIT) meets the stringent requirements of modern warfare at night to deliver end-users the highest possible performance in all field conditions. This technology offers extended bandwidth for high image quality in all types of environment (desert, snow, forest, urban), very high Figure Of Merit (FOM) performance and a small halo providing more details around light sources. This is an undeniable advantage on the darkest nights.

**4G**

The 4G technology has become the standard in all major European Land Forces programs. The 4G Image Intensifier Tube (IIT) is a more affordable version than 4G+ while maintaining a high level of performance. 4G IIT provides operators high image quality and long detection ranges in the most challenging light conditions: brightness of equipment, longevity of tubes, ability to see farther in increasingly low levels of darkness and very fast auto-gating.



# CADEX NIGHT VISION DIVISION



**THEON**  
SENSORS  
Advanced Optronics

Cadex has been involved in electro-optic accessories for over twenty years. Since then, our services toward this market have been expanding. Back in early 2019, Cadex was awarded the contract to supply the Canadian Army Reserves with 300 monocular night vision devices. These systems were assembled in Saint-Jean-sur-Richelieu, Quebec with support from our two OEM suppliers, Photonis® and Theon® Sensors. Cadex is proud to announce the implementation of its Electro-Optic Division and is looking forward to working with our valued customers to expand its capabilities.

**THEON® ARGUS**



**THEON® ARGUS PANOPTES**



**THEON® NYX**



**THEON® MIKRON-D**



**THEON® ARTEMIS**



**THEON® DAMON**



**THEON® THERMIS WS**



**THEON® THERMIS CS**



**THEON® THERMIS Mk2**



These products are subject to export limitations. Every export must be vetted by Cadex/Theon. Contact Cadex representatives for more information.

# NIGHT VISION

Binoculars and Monoculars

## THEON® ARGUS PANOPTES

### Advanced Modular Night Vision Binoculars (MNVB)

- Two Mil Spec versions available: Lightweight (LW) and Fail Safe with 100% shut off mechanism (FS)
- Consists of two Argus MNVM's connected with a bridge
- Ambidextrous operations
- Independent flip away and flip-up function (FS version)
- Optional Long Range Laser illuminator
- Complete range of accessories including 3X magnifiers, sacrificial, anti-fogging, laser protection filters, camera adapters, etc.
- Built in interface for Thermal Clip-On attachment (FS version)
- Optional Manual Gain Control (MGC)



## THEON® ARGUS

### Multi-Purpose Night Vision Monocular (MNVM)

- Two Mil-Spec versions available: Lightweight (LW) and Fail Safe with 100% shut off mechanism (FS)
- Ambidextrous operations
- Collimated line of sight allows for use as binocular
- Optional Long Range Laser illuminator
- Complete range of accessories including, 3X or 5X magnifiers, sacrificial, anti-fogging, day training, laser protection filters, camera adapters and more
- Optional Manual Gain (MGC)



**The Argus LW** is the proud winner of the Canadian Army Night Vision Monocular program

## THEON® MIKRON-D

### Mini Dedicated Night Vision Binocular (Mini-NVB)

- Mil-Spec and Lightweight
- Utilizes 16mm image intensifier tubes which reduces weight and size substantially
- Optional Manual Gain Control (MGC)
- Integrated IR illuminator
- Independent flip away and flip up function
- Smart Electronics



## THEON® NYX

### Dedicated Night Vision Binocular (NVB)

- Lightest NVB in its category
- Optional Manual Gain (MGC)
- Smart Electronics
- Complete range of accessories including 3X magnifiers, sacrificial, anti-fogging, day training, laser protection filters, camera adapters, etc.



Contact Cadex for more information on Night Vision products

# NIGHT VISION & THERMAL

Weapon Sights



## THEON® DAMON

### In Line Afocal Night Sight (CNVD)

- Two versions available: Medium Range (MR) and Long Range (LR)
- Adds Night Vision capability by clip on in front of day optics
- No need to remove day sight allowing the eye relief, shooting position and user muscle memory to remain the same
- No bore sight required
- Optional Manual Gain Control (MGC)
- Simple and quick single throw lever mounting on Picatinny rails



**The Damon** is the proud winner of the Canadian Army Forces Night Vision program

## THEON® THERMIS

### Thermal Clip-On Sight (CS)

- Three versions available:
  - Medium Range (MR)
  - Long Range (LR)
  - Extra Long Range (ELR)
- Uncooled IR sensor technology for superior image quality
- Built-in digital compass and inclinometer
- Video capture
- Image capture and storage
- State of the art image enhancement algorithms
- Energy efficient (greater than 10 hours)
- Quick start-up (less than 3 seconds)
- Ruggedized military design



**The Thermis** is the proud winner of the Canadian Army Forces Thermal imaging program

## THEON® THERMIS Mk2

### Thermal Clip-On Sight (CS)

- Five versions available:
  - Small (SR)
  - Medium (MR)
  - Long (LR)
  - Extra Long (ELR)
  - xExtra Long (xELR)
- Uncooled IR sensor technology for superior image quality
- Built-in digital compass and inclinometer
- Cutting edge image enhancement algorithms
- Wi-Fi and Bluetooth connectivity
- Image/Video capture and storage
- Energy efficient (greater than 8 hours)
- Quick start-up feature (less than 3 seconds)
- Ruggedized military design

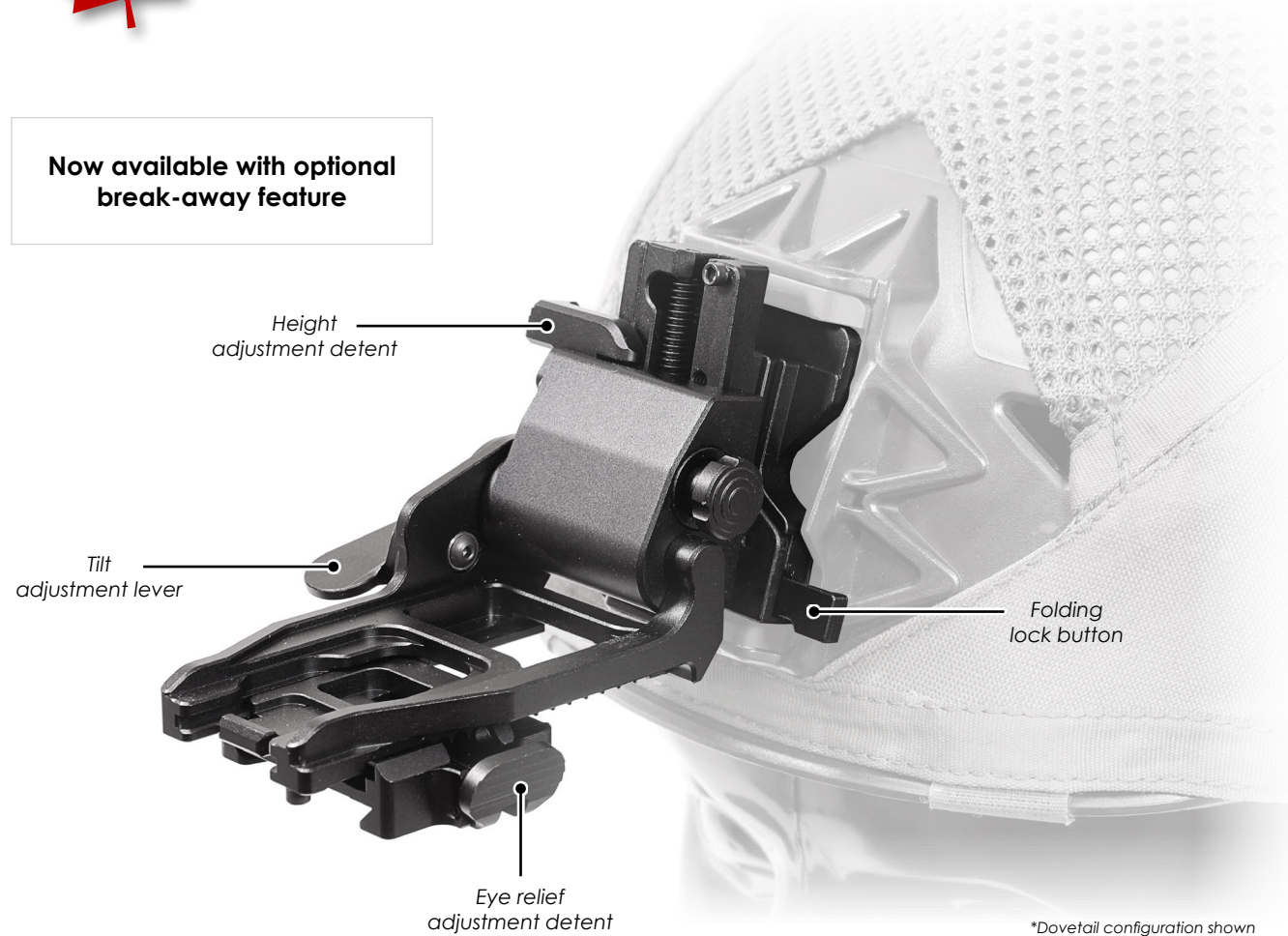


Contact Cadex for more information on Night Vision products



# LOW PROFILE FLIP-UP MOUNT

Now available with optional break-away feature



\*Dovetail configuration shown

The Cadex low profile flip-up mount is a ruggedized aluminum NVG mount that combines lightness and low profile design with a maximum range of adjustability.

### FEATURES:

- Ergonomic "one touch" height adjustment allows the operator to adjust height with one hand.
- Low profile design follows helmet contour when folded.
- Six position adjustable mounting plate fits numerous facial profiles and helmet mounting systems.
- Locked in stowed position.
- Force overcome in down/deployed position.
- If the NVG is bumped or impacted, the low profile flip-up mount will fold and lock in upright position protecting the NVG and operator.



Stowed position



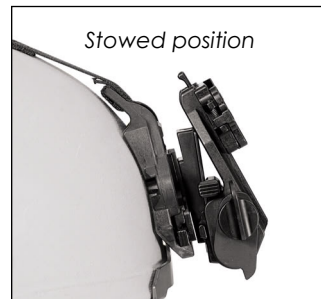
6 position adjustable mounting plate



Compatible with Ops-Core helmets



Compatible with universal shrouds



Stowed position

# LOW PROFILE FLIP-UP MOUNT



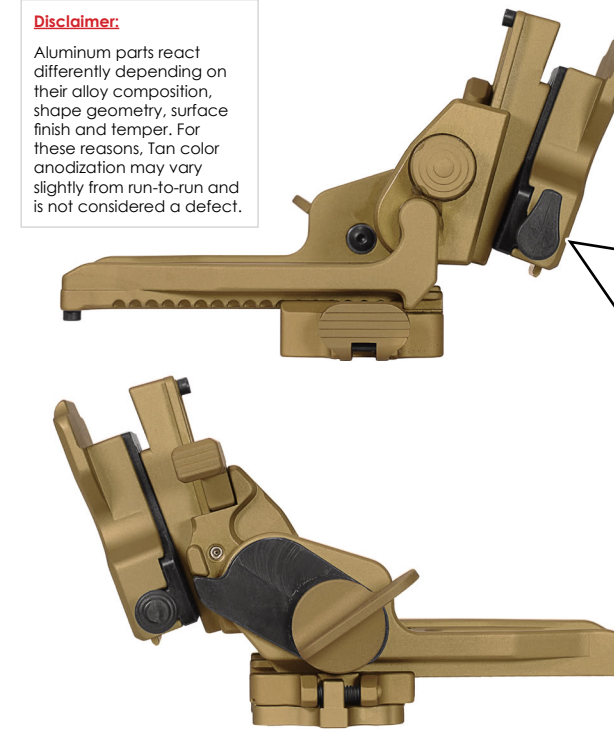
CONFIGURATION	PART #	MATERIAL	DOVETAIL CARRIAGE	BAYONET CARRIAGE	BREAK-AWAY FEATURE	COLOR
DOVETAIL	643-5878-DV-BLK	Aluminum	Included	N/A	N/A	Black
	643-5878-DV-BA-BLK	Aluminum	Included	N/A	Break-Away	Black
	643-5878-DV-TAN	Aluminum	Included	N/A	N/A	Tan
	643-5878-DV-BA-TAN	Aluminum	Included	N/A	Break-Away	Tan
BAYONET	643-5878-BY-BLK	Aluminum	N/A	Included	N/A	Black
	643-5878-BY-BA-BLK	Aluminum	N/A	Included	Break-Away	Black
	643-5878-BY-TAN	Aluminum	N/A	Included	N/A	Tan
	643-5878-BY-BA-TAN	Aluminum	N/A	Included	Break-Away	Tan



### BLACK COLOR VARIANT



### TAN COLOR VARIANT



**Disclaimer:** Aluminum parts react differently depending on their alloy composition, shape geometry, surface finish and temper. For these reasons, Tan color anodization may vary slightly from run-to-run and is not considered a defect.

### BREAK-AWAY FEATURE

Our break-away feature allows the operator to select between the locked position (which requires to push a button to remove the mount) or the unlocked position (which allows it to break-away under stress so as to prevent injury).



Break-Away deactivated

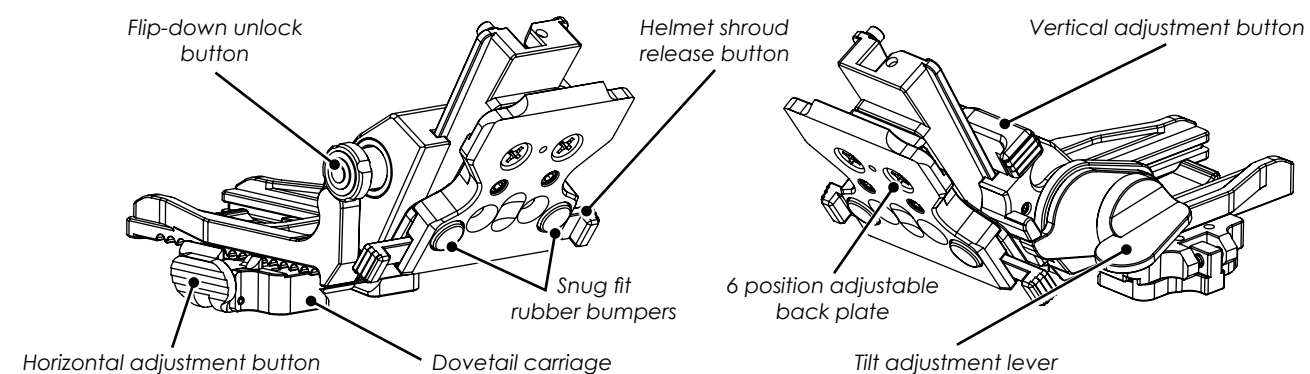


Break-Away activated

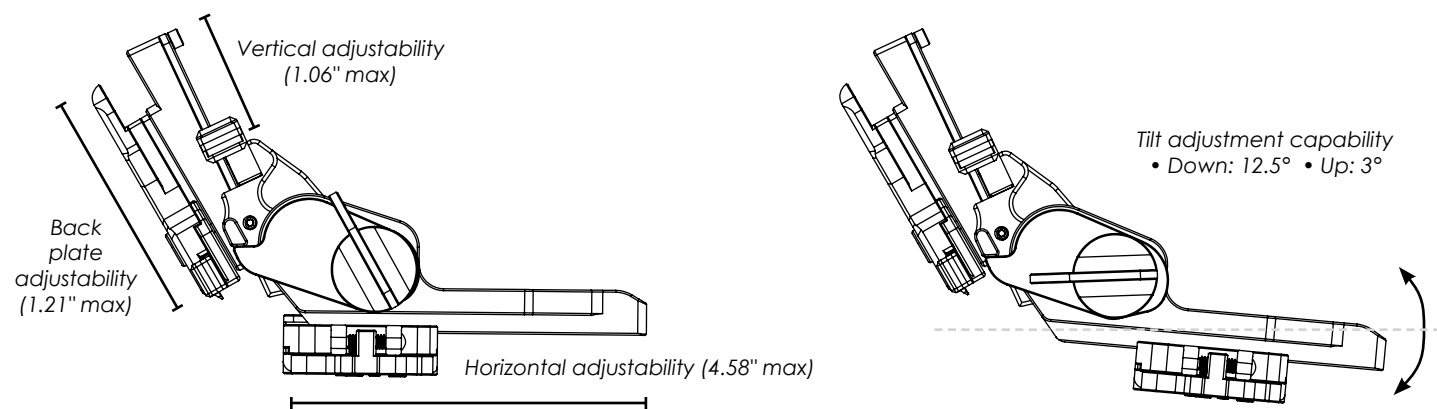
# DOVETAIL CONFIGURATION



## MECHANISM FEATURES



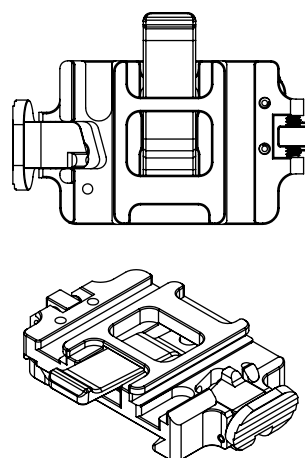
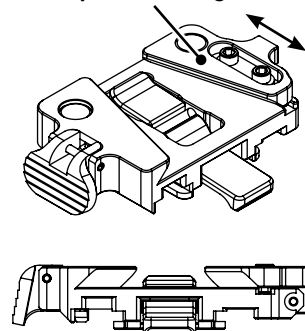
## ADJUSTMENT CAPABILITY



## DOVETAIL CARRIAGE

(Part#: 643-5878-A003)

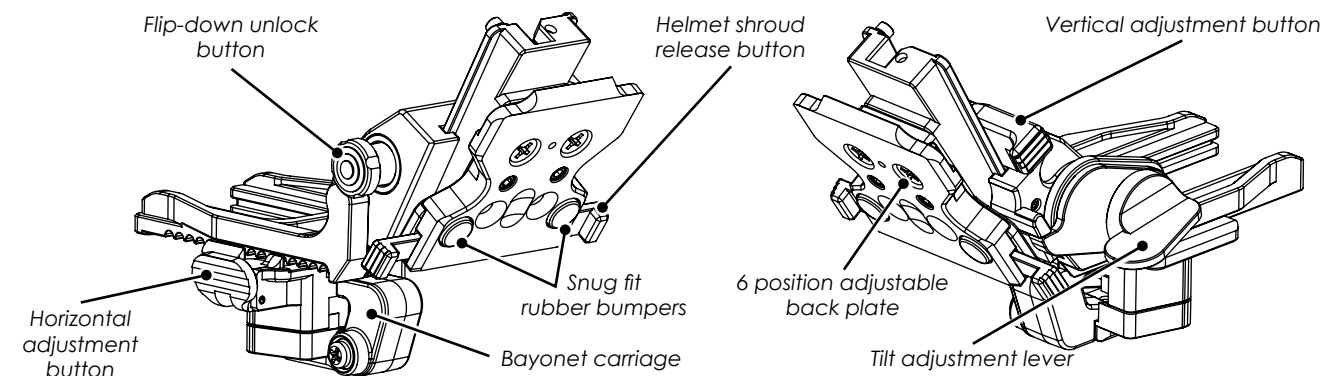
Adjustable for tight fit



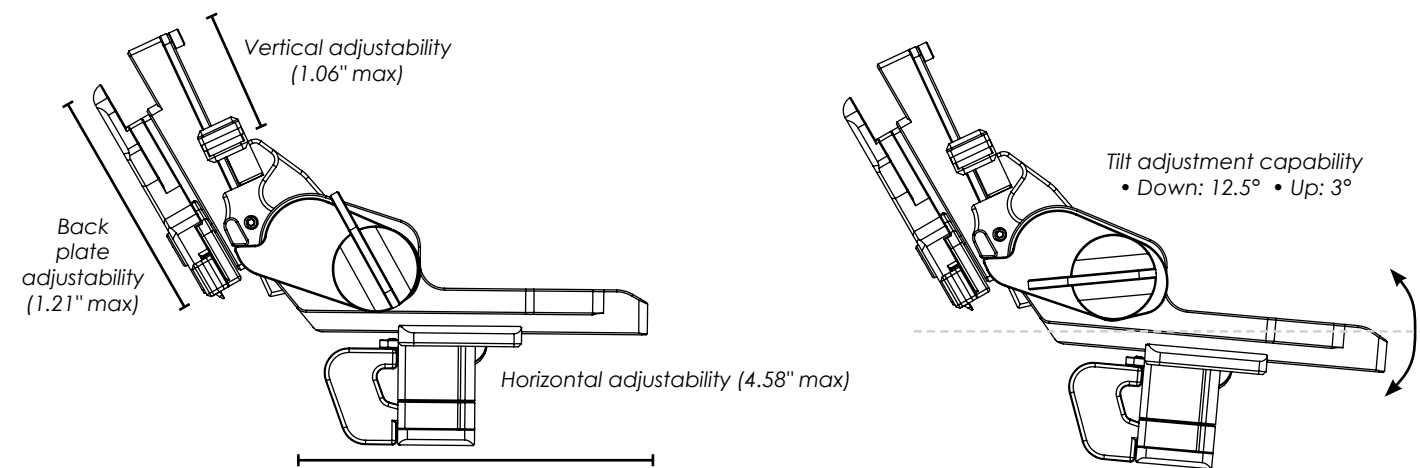
# BAYONET CONFIGURATION



## MECHANISM FEATURES

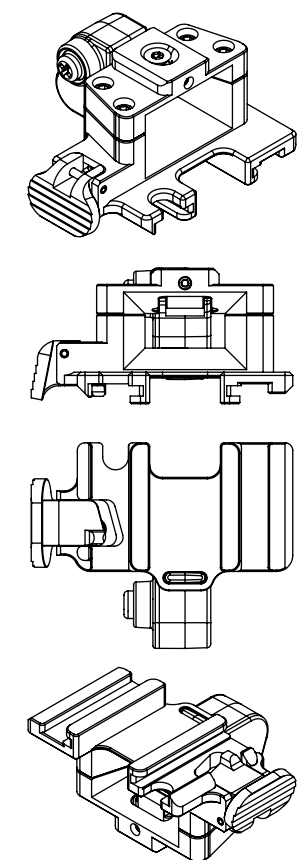


## ADJUSTMENT CAPABILITY



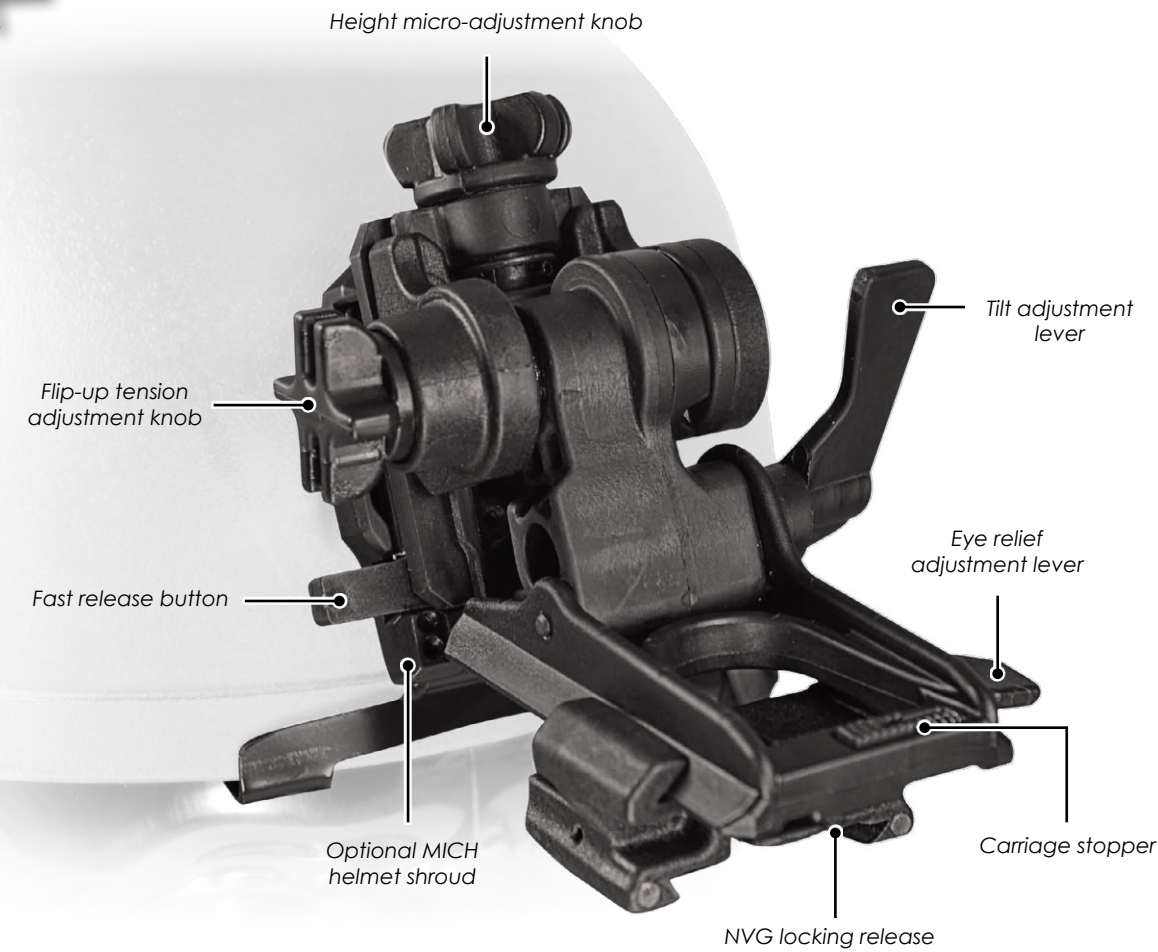
## BAYONET CARRIAGE

(Part#: 643-5878-A007)





# POLYMER FLIP-UP MOUNT



\*Dovetail configuration shown

Ultra-lightweight and maintenance-free design made out of reinforced nylon to endure desert sand and salt water. Fits a wide variety of helmet designs and is compatible with dovetail or bayonet style NVG interfaces. Cadex offers multiple kits that will adapt to your specific needs.

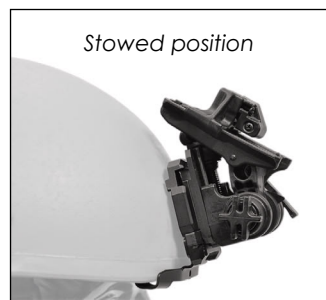
**FEATURES:**

- Lightest flip-up mount offered by Cadex.
- Large adjust knobs provide easy adjustments with gloves on.
- Nylon construction allows for silent manipulation of flip up.
- Endures desert sand and salt water.
- Rugged and maintenance free.



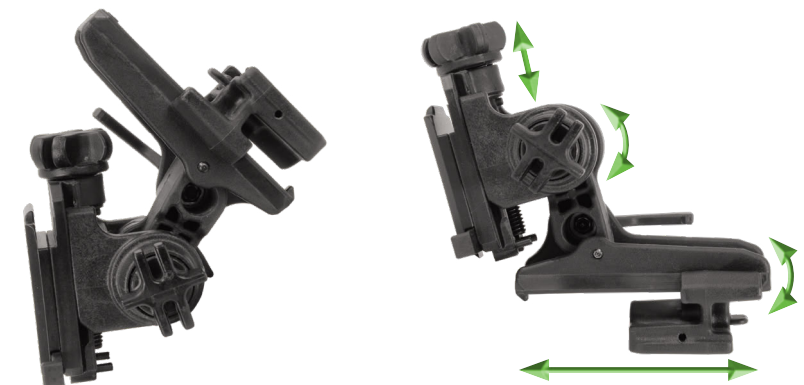
NSN#: 5855-20-008-4795 (for 643-93C-BLK)

PART #	MATERIAL	DOVETAIL CARRIAGE	BAYONET CARRIAGE	COLOR
643-93C-BLK (includes the universal helmet strap kit)	Polymer	Included	Included	Black
643-93FK-206-BLK	Polymer	Included	N/A	Black
643-93FK-207-BLK	Polymer	N/A	Included	Black



# POLYMER FLIP-UP MOUNT

**DOVETAIL CONFIGURATION**



**BAYONET CONFIGURATION**



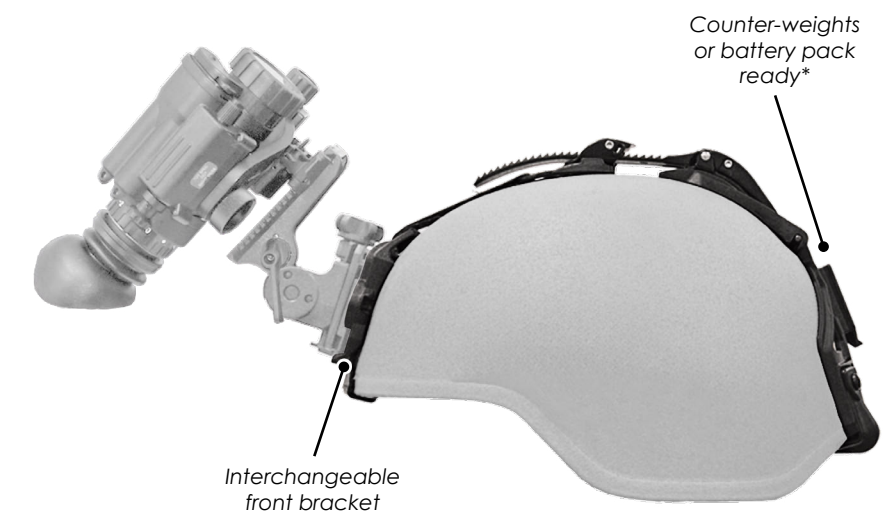
# UNIVERSAL HELMET STRAP KIT

The Cadex universal helmet strap kit is designed to adapt to helmets that do not feature a built in universal shroud. It secures on the helmet by clamping on the front and rear helmet edges using custom clips and tightens on top using a ratcheting system to ensure a tight fit. The kit includes one metal clip for either MICH or PASGT helmet style (to be specified when ordering).

**FEATURES:**

- Counter-weights or battery pack\* compatible using the rear dovetail.
- Universal design that adapts to various helmet shapes.
- Ultra lightweight.

SPECIFICATIONS
<b>Universal helmet strap kit</b> Part#: 643-93SK-026 (for MICH helmet) Part#: 643-93SK-027 (for PASGT helmet)
<b>Dimensions:</b> 15.14" x 4.5" x 7.72" 38.47 x 11.44 x 19.61 cm
<b>Weight (±):</b> 0.4 lb   181 grams
<b>Material:</b> Nylon ST-801 Black



\*Counter-weights and battery pack not included

# SURVEILLANCE KIT

The Cadex surveillance kit is convenient and easy to operate. Its adjustment system allows the operator to easily fine tune the component's placement. The surveillance kit's pivoting camera mount allows the operator to set up for photographic surveillance in a matter of seconds. Sighting scope inversion means your head is not the most visible point in your sighting system.

## FEATURES:

- Easy to operate even with gloves.
- No tools required.
- Folds and dismantles for transportation.
- The complete system includes I, B, C, D, E, (F or H), J and is available for:
  - **Leupold® Mark 4 12-40x60 and 20-60x80**  
Part#: 2700-KIT5 (NSN#: 5855-20-009-3927)
  - **Hensoldt® Spotter 45/60**  
Part#: 2700-KIT-FS60

## SPECIFICATIONS

### Surveillance kit complete system (includes I, B, C, D, E, (F or H), J)

Dimensions (±): 27.75" x 4.94" x 11.42" | 70.49 x 12.55 x 29.01 cm

Weight (±): 4.67 lb | 2120 grams

Material: 6061-T6 aluminum

## INDIVIDUAL SECTIONS

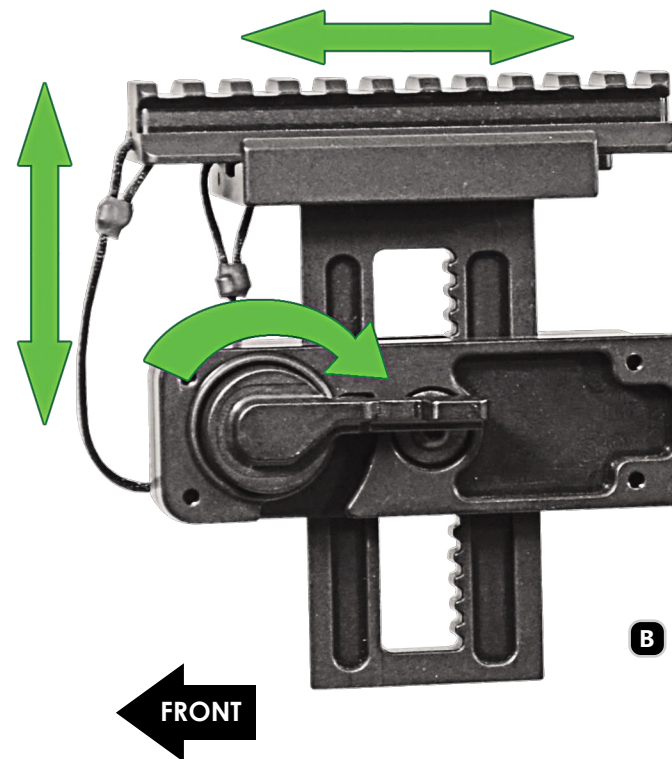
- B** 2322-B .....Surveillance kit extension
- C** 2322-C .....Surveillance kit centre rail
- D** 2322-D .....Spacer for inverter cage
- E** 2322-E .....Extra side rail for inverter cage
- F** 2322-F .....3 rails inverter cage  
..... (for Leupold® Mark 4 12-40x60 & 20-60x80)
- H** 2322-FS60 .....Hensoldt® 3 rails cage (for Spotter 45/60)  
..... (see P. 128)
- I** 2322-I .....Surveillance kit front section (2700 Model)
- J** 2322-J .....Surveillance kit back section (2700 Model)
- K** 2322-K .....Adaptor for riflescope
- P** 2322-P .....Inverter kit to Picatinny adaptor
- Q** 2322-Q .....Kestrel® holder (see P. 128)

## K ADAPTOR FOR RIFLESCOPE

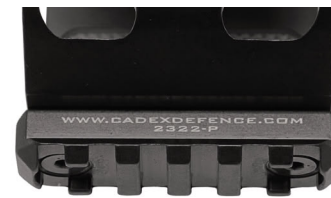


## I SURVEILLANCE KIT FRONT SECTION

One quick adjust button for your night optic plus a precise micro adjustment wheel means you can achieve the perfect fit.

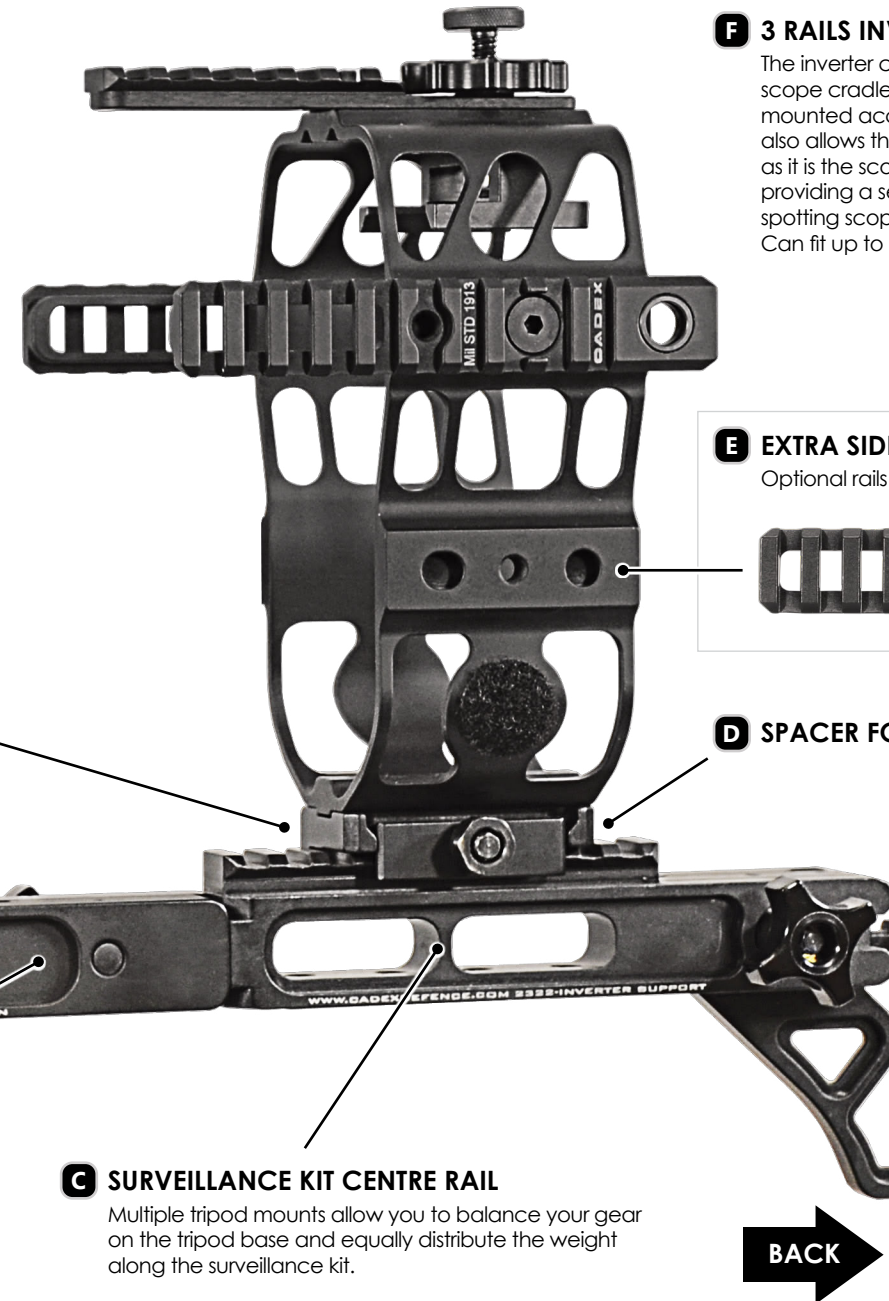


## P INVERTER KIT TO PICATINNY ADAPTOR



## B SURVEILLANCE KIT EXTENSION

The extension is recommended for mounting a night vision device at the front of the spotting scope.



## F 3 RAILS INVERTER CAGE

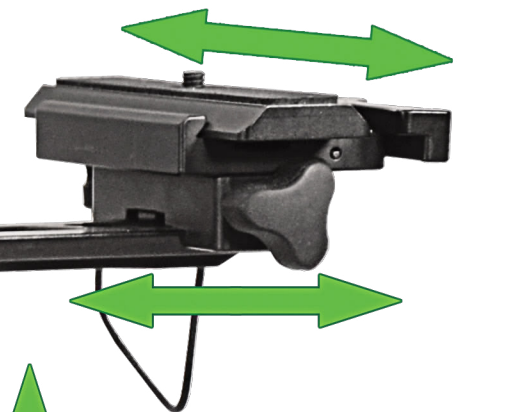
The inverter cage includes a unique spotting scope cradle that ensures the chassis and other mounted accessories are stable and aligned. It also allows the scope to float within the inverter as it is the scope's only point of attachment providing a secure connection between your spotting scope and the surveillance chassis. Can fit up to 5 rails.

## E EXTRA SIDE RAIL FOR INVERTER CAGE

Optional rails also available for mounting accessories.



## D SPACER FOR INVERTER CAGE



## J SURVEILLANCE KIT BACK SECTION

The camera mount is equipped with a horizontal (left/right) adjustment for a precise fit. With the click of a button, your camera's height can be adjusted to match your spotting scope. If finer adjustment is needed, simply use the micro adjustment wheel and the perfect fit will be achieved.

## C SURVEILLANCE KIT CENTRE RAIL

Multiple tripod mounts allow you to balance your gear on the tripod base and equally distribute the weight along the surveillance kit.

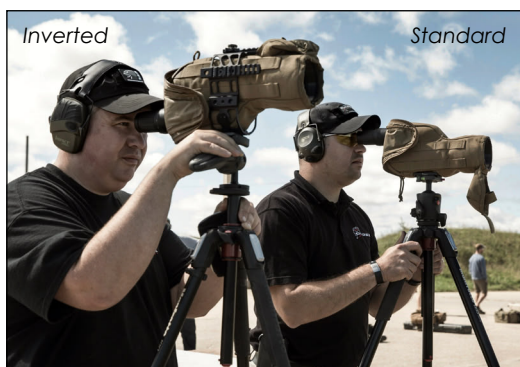
FRONT

BACK

# SURVEILLANCE KIT

and accessories

Cadex offers a wide variety of surveillance kits. Customers may request other mounting options to fill their particular requirements. Specially designed for snipers or surveillance teams, the surveillance kit decreases the amount of weight carried. The surveillance kit is easy to manipulate during extreme cold weather conditions and in darkness.



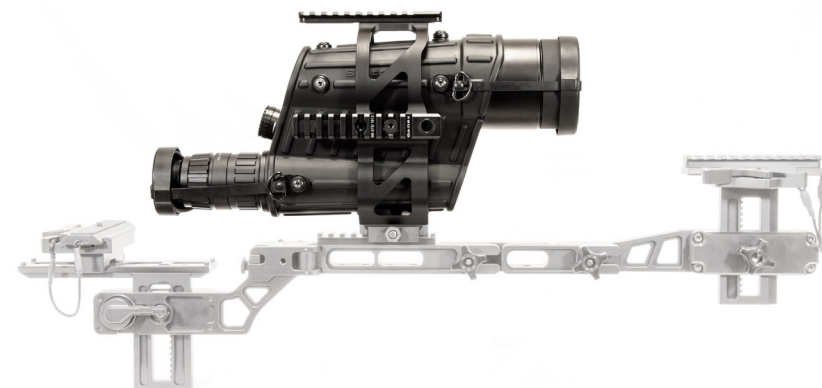
## BACK SECTION TOP VIEW

FOLDS AT 45°



### H Hensoldt® 3 rails cage for Spotter 45/60 - Part#: 2322-FS60

- Ability to mount accessory rails for LRF, Red Dot, Weather Station, etc.
- Offering additional protection
- Compatible with complete surveillance kit or as a stand alone unit
- Allows a perfect alignment for camera, spotting scope and night vision or thermal imaging



### Q Kestrel® holder - Part#: 2322-Q



# SURVEILLANCE KIT

Mounting Adaptor

The Cadex surveillance kit offers endless possibilities when it comes to mounting accessories. Each year, new electronic devices are hitting the market and they all require their own mounting interface. This is why Cadex is constantly adding new adaptor blocks to its selection of mounting bases.

Step #1 is to select the BASE type that you are planning to use. Step #2, combine it with the appropriate ADAPTOR BLOCK that you require.

## BASES (STEP #1)

1683-A077-K1	RC2 tripod adaptor base
1683-A078-K1	Arca adaptor base
1683-A085-K1	Picatinny adaptor base (nut)
1683-A080-K1	QD Picatinny adaptor base
1683-A082-K1	Picatinny adaptor base (thumbscrew)

## ADAPTOR BLOCKS (STEP #2)

1683-A067-K1	Adaptor block for Vectronix® PLRF15C
1683-A068-K1	Adaptor block for Safran® JIM LR
1683-A069-K1	Adaptor block for Vectronix® Vector IV
1683-A070-K1	Adaptor block for Vectronix® Vector PLRF25C BT
1683-A071-K1	Adaptor block for Vectronix® Vector 21 Nite
1683-A072-K1	Adaptor block for Swarovski® 60x Spotting scope
1683-A073-K1	Adaptor block for Leupold® 40x Gold Ring Spotting scope
1683-A083-K1	Adaptor block for Canon® Camera
1683-A084-K1	Adaptor block for Coral-CR-C AN/PAS 503

## UNIVERSAL BASES

1683-A074-K1	Universal RC2 tripod base
1683-A076-K1	Universal Arca rail base

## STEP #1: CHOOSE YOUR BASE



1683-A077-K1  
(RC2 type)



1683-A078-K1  
(Arca type)



1683-A085-K1  
(Picatinny type)



1683-A080-K1  
(Quick-Detach type)



1683-A082-K1  
(Thumbscrew type)

## STEP #2: CHOOSE YOUR ADAPTOR BLOCK



1683-A067-K1



1683-A068-K1



1683-A069-K1



1683-A070-K1



1683-A071-K1



1683-A072-K1



1683-A073-K1



1683-A083-K1



1683-A084-K1

## UNIVERSAL BASE



1683-A074-K1  
(RC2 type)



1683-A076-K1  
(Arca type)

If a proprietary mounting block doesn't exist for your electronic device, you can request a new block to be developed or use one of the following universal bases. These bases feature 3 pressure screws to block the rotation.

# SOLO SIGHT MOUNT

The SOLO sight mount dramatically enhances the fighting capabilities of the soldier during day and night conditions. The system is the world's premier military off-the-shelf sight mounting solution. It is designed to enhance the sighting capabilities of NATO-standard weapons such as:

- The M2 .50 cal (12.7mm) Heavy Machine Gun
- The 40mm MK19 Grenade Machine Gun
- The 40mm Heckler & Koch® Grenade Machine Gun

The SOLO platform integrates up to three sight modules in a wide variety of configurations and provides both day and night sight capabilities.

The system allows for a rapid switch from active to passive target acquisition mode.

During firing, the operator adjusts the range with one hand while the other is free to control the weapon. An illuminated range dial allows the operator to rapidly set the range for a quick engagement, day or night.

More than  
**10 000**  
units sold  
worldwide

The SOLO mount incorporates a precise mechanical spin drift compensation for 40mm high velocity grenades. The SOLO also has a unique integral mount buffer system, which allows the operator to keep an eye on the sight and also protects the optical modules by absorbing 88% of harsh peak recoil forces.

## FEATURES:

- Accommodates up to 4 day/night electro-optic devices.
- Increases lethality of both 40mm and .50 cal platforms.
- 40mm mechanical spin drift compensation.
- 88% absorption of peak recoil forces.
- Illuminated Range Dial.
- Customizable configurations.

## SPECIFICATIONS

**SOLO sight mount** Part#: 724-940  
(NSN#: 5342-20-009-3657)

**Dimensions:**  
16.21" x 8.64" x 7.16" | 41.17 x 21.94 x 18.2 cm

**Weight (±):** 10.59 lb | 4804 grams

**Material:** 6061-T6 aluminum, alloy & composite

The SOLO sight mount converts a zone-spreading machine gun into a precise target engagement tool with one round one hit capability at extreme ranges.



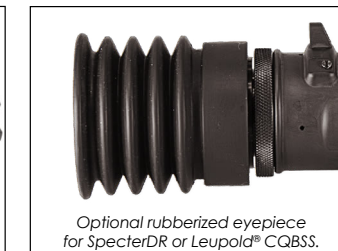
Illuminated elevation knob



40mm spindrift compensator



50BMG/40mm interchangeability



Optional rubberized eyepiece for SpecterDR or Leupold® CQBSS. Other models available upon request.

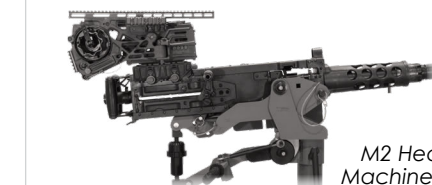


# SOLO SIGHT MOUNT

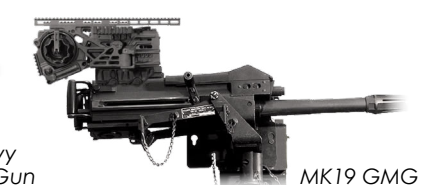


The SOLO sight mount is the backbone of the US Marine Corp's HMGSS (Heavy Machine Gun Sight System). Named the BERM (Ballistic Extended Rail Mount), it has been assigned the M520 designation.

## INTERFACES WITH:



M2 Heavy Machine Gun

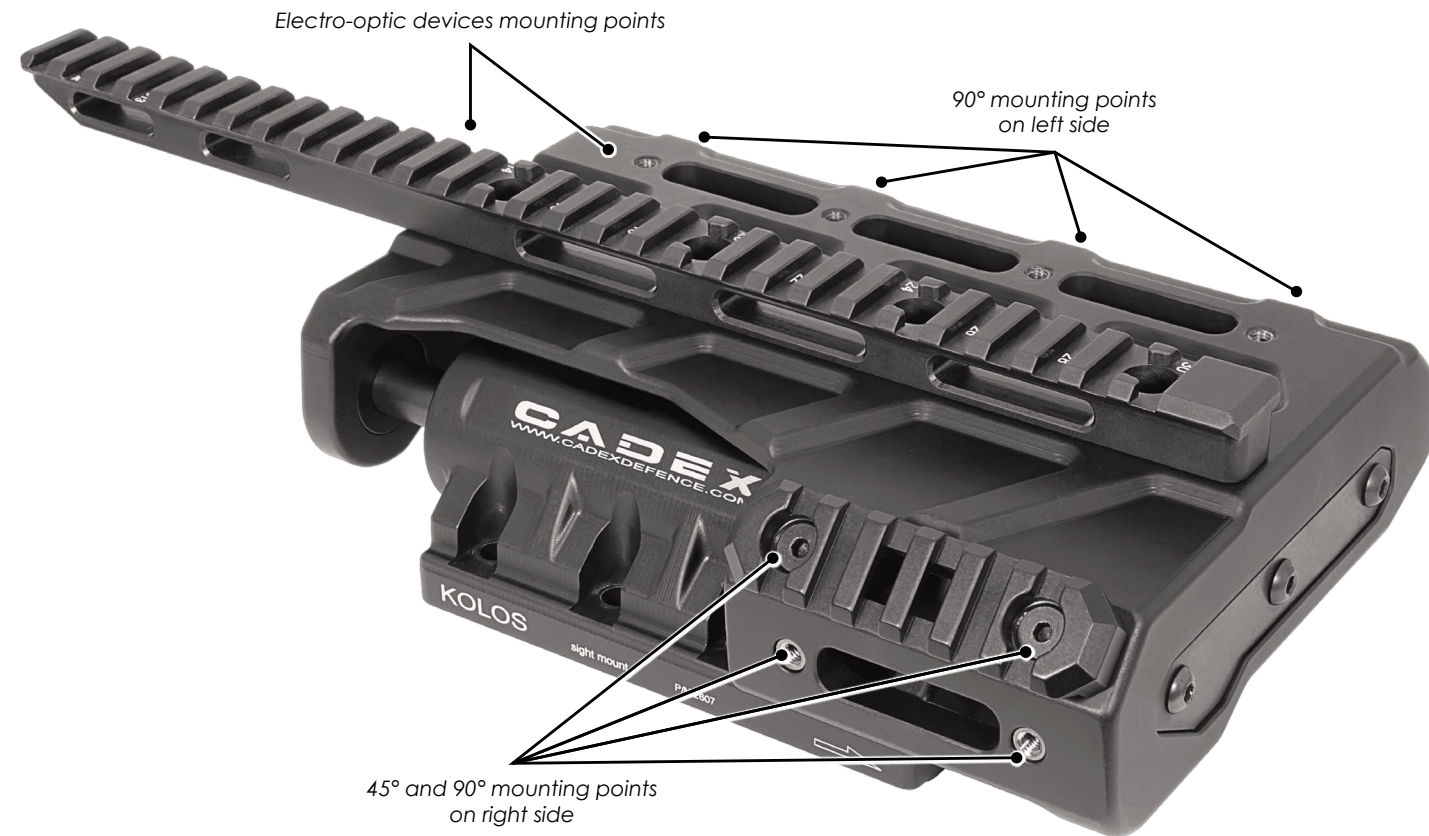


MK19 GMG

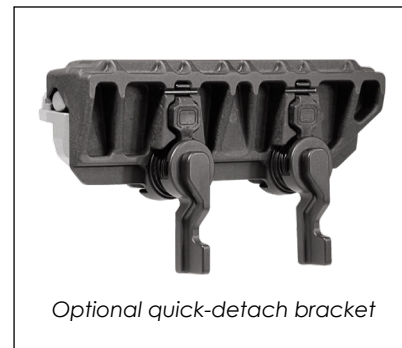


Heckler & Koch® GMG

# KOLOS SIGHT MOUNT



The KOLOS sight mount converts a zone-spreading machine gun into a precise target engagement tool with one round one hit capability at extreme ranges.



Optional quick-detach bracket

The KOLOS sight mount significantly enhances day and night fighting capabilities of the M2 .50 cal (12.7mm) Heavy Machine Gun and 40mm GMG. With the KOLOS mount, the gunner is able to rapidly transition from active to passive target acquisition methods to produce maximum effective fire on the target.

Because of the KOLOS mount buffer system, the gunner can keep his eye against the sight eye cup while firing to maintain the sight picture.

## FEATURES:

- Low profile buffering of optics systems.
- Accommodates up to 4 day/night electro-optic devices.
- Increases lethality of .50 cal platforms.
- 88% absorption of peak recoil forces.
- Customizable configurations.
- 12" Picatinny main rail included.
- 3" and 5" modular accessory Picatinny rails included.

**SPECIFICATIONS**  
**KOLOS sight mount**  
 Part#: 2607  
**Dimensions:**  
 12.27" x 5.78" x 2.78" | 31.17 x 14.68 x 7.06 cm  
**Weight (±):** 4.52 lb | 2050 grams  
**Material:** 6061-T6 aluminum

# QUICK-DETACH BRACKETS

The quick-detach bracket is a mount interface for the SOLO and KOLOS which provides for "no tool" mounting on both the M2 .50 cal (12.7mm) Heavy Machine Gun and the 40mm GMG (AGL).

*\*Some M2 iron sight models may interfere with the Cadex bracket. Please contact us to ensure you order the right model for your M2 receiver.*

## FEATURES:

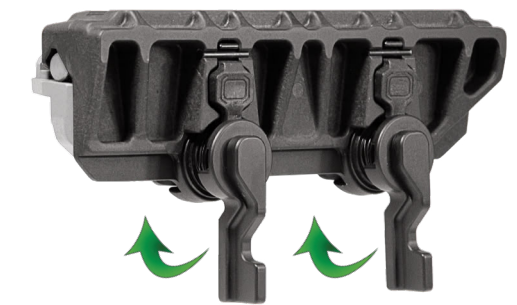
- Allows the user to install and remove the SOLO/KOLOS to/from their weapon with complete return to zero.
- Quick-detach bracket installation does not require any modifications to the weapon.
- Does not interfere with normal function or handling drills.
- All versions of the SOLO already in service can be retrofitted with this mount.

**SPECIFICATIONS**  
**QD Bracket, 40mm Male/Female HK GMG (C16)**  
 Part#: 00573-A011 (NSN#: 1005-20-009-5598)  
**Dimensions:**  
 5.48" x 5.14" x 0.99" | 13.92 x 13.06 x 2.51 cm  
**Weight (±):** 1.77 lb | 803 grams  
**Material:** Steel

**QD Bracket, Male interface ONLY**  
 Part#: 00724-A006-K1  
 This bracket is designed for MG already equipped with a female dovetail bracket.



**SPECIFICATIONS**  
**QD Bracket, Male Interface SOLO**  
 Part#: 00573-A222 (NSN#: 1005-20-006-4679)  
**Dimensions:**  
 6.9" x 1.69" x 2.41" | 17.52 x 4.29 x 6.12 cm  
**Weight (±):** 0.71 lb | 322 grams  
**Material:** 6061-T6 aluminum



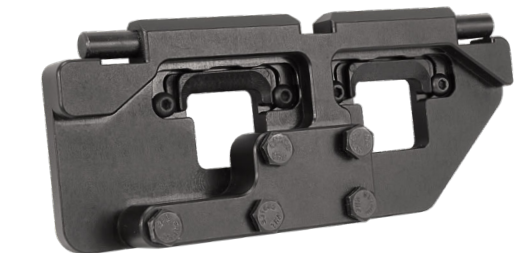
**SPECIFICATIONS**  
**QD Bracket, M2 Interface SOLO**  
 Part#: 00573-A219 (NSN#: 1005-20-006-4657)  
**Dimensions:**  
 7.54" x 3.7" x 1.6" | 19.15 x 9.4 x 4.06 cm  
**Weight (±):** 1.03 lb | 466 grams  
**Material:** 6061-T6 aluminum



**SPECIFICATIONS**  
**QD Bracket, MK19 Interface SOLO**  
 Part#: 00573-A221 (NSN#: 1005-20-006-4658)  
**Dimensions:**  
 7.51" x 2.42" x 3.52" | 19.08 x 6.15 x 8.94 cm  
**Weight (±):** 1.05 lb | 476 grams  
**Material:** 6061-T6 aluminum



**SPECIFICATIONS**  
**Fixed Bracket, MK19 Interface SOLO**  
 Part#: 00573-A223 (NSN#: 1005-20-006-4664)  
**Dimensions:**  
 7.38" x 1.58" x 3.03" | 18.75 x 4.01 x 7.7 cm  
**Weight (±):** 1 lb | 457 grams  
**Material:** 6061-T6 aluminum



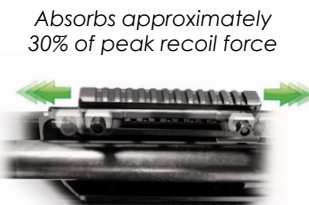
# RECOIL RAIL FAMILY



60 BSMe Mortar recoil rail



Recoil rail



Absorbs approximately 30% of peak recoil force

## SPECIFICATIONS

**Recoil rail**  
Part#: RR-2337 (NSN#: 5340-14-573-7474)  
**Dimensions:**  
6.1" x 1.73" x 0.39" | 15.5 x 4.4 x 1.01 cm  
**Weight (±):** 0.41 lb | 187 grams  
**Material:** 6061-T6 aluminum

## SPECIFICATIONS

**60mm BSMe Mortar recoil rail**  
Part#: RR-2337-A007  
**Dimensions:**  
6" x 1.75" x 1" | 15.2 x 4.4 x 2.5 cm  
**Weight (±):** 0.4 lb | 184 grams  
**Material:** 6061-T6 aluminum

**WARNING**  
Not recommended for precision rifle optics or lasers

The Cadex recoil rail provides electro-optic devices with protection from firing shock of hard recoiling weapons, such as the M2 .50 cal (12.7mm) Heavy Machine Gun.

The Cadex recoil rail uses a patented buffer system to absorb approximately 30% of the peak recoil force which would otherwise be transferred to the mounted optic.

## FEATURES:

- Absorbs approximately 30% of peak recoil force.
- Returns the electro-optic to its original position after firing.
- Increases life expectancy of electro-optic devices.
- Can be used as bipod rail to improve follow up shots.
- Custom interfaces available for a variety of devices.
- Reduces the blur effect of iron sights when firing in full automatic mode.

# CM2 QUICK-RELEASE BRACKET



CM2 quick-release bracket



CM2 quick-release bracket with recoil rail

## SPECIFICATIONS

**CM2 quick-release bracket**  
Part#: 2905-A002 (NSN#: 5340-20-009-3656)  
**Dimensions:**  
9.06" x 4.13" x 3.94" | 23 x 10.5 x 10 cm  
**Weight (±):** 1.6 lb | 726 grams  
**Material:** 6005-T6 aluminum

The Cadex CM2 quick-release bracket provides users with a solid optic mount for the M2 .50 cal (12.7mm) Heavy Machine Gun.

## FEATURES:

- A 7.5" Mil Std M1913 Picatinny rail for secure optics mounting.
- Quick-detach installation does not require any modification to the weapon.
- Made from a single piece of lightweight 6005-T6 aluminum.
- Tabs are made from a reinforced acetal to improve sliding and locking capabilities.
- Reinforced composite tabs also ensure that they are break-proof and will not wear out over time.
- A stainless steel screw secures the tabs to the quick-release bracket aluminum body.



Quick-release bracket with recoil rail for M2 Heavy Machine Gun

## SPECIFICATIONS

**CM2 quick-release bracket with recoil rail**  
Part#: 2905-A002RR  
**Dimensions:**  
9.06" x 4.13" x 3.94" | 23 x 10.5 x 10 cm  
**Weight (±):** 1.6 lb | 726 grams  
**Material:** 6005-T6 aluminum

# C6/M240 DUAL RAIL



The Cadex dual rail for the C6, M240 and MAG 58 machine guns provides users with a robust mount for laser pointers and illumination devices.

### FEATURES:

- Mil Std M1913 rails at 3 and 9 o'clock positions. Optional positioning at 6 o'clock and 45° angle.
- Reduces heat and vibration transferred to attached electro-optics.
- Provides excellent zero retention of mounted devices.
- Configurable rails.
- Optional 6 o'clock rail positioning for mounting a folding grip.

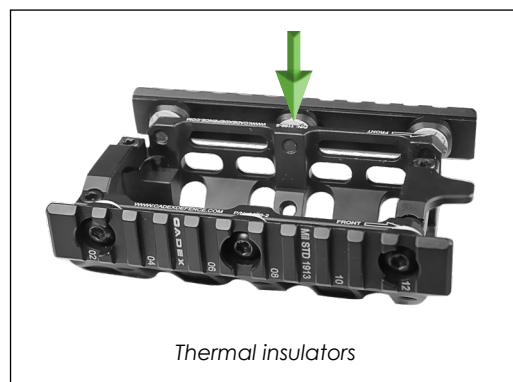
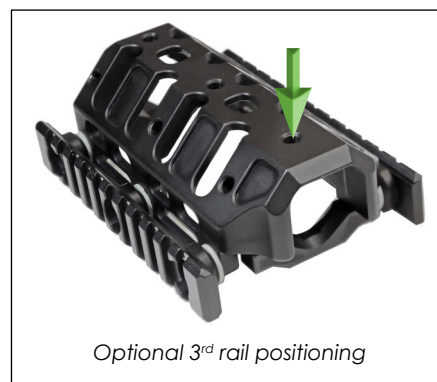
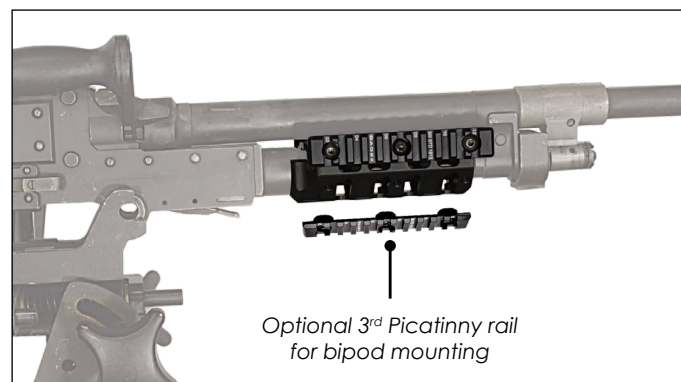
### SPECIFICATIONS

**C6/M240 dual rail** Part#: 1166-2  
(NSN#: 1005-20-011-4535)

**Dimensions:**  
6.14" x 3.52" x 1.89" | 15.5 x 8.95 x 4.81 cm

**Weight (±):** 0.63 lb | 285 grams

**Material:** 6061-T6 aluminum



# C6 BUTTSTOCK

The Cadex C6 buttstock provides the operator with a world-class fully adjustable buttstock. Designed for enhanced shooting comfort and more precision in the field. Easily adjustable for the length of pull. This C6 buttstock is entirely compatible with the existing C6 buttstock which makes it simple to retrofit the existing one. Ergonomic design for easy maneuverability and precision improvement, it extends/collapses (2" travel) without any tools.

### FEATURES:

- Easy to retrofit existing C6.
- Extends/collapses (2" travel) without any tools.
- Ergonomic design for easy maneuverability.
- Made of 6061-T6 aluminum with some components made of fiber reinforced composite.
- Ambidextrous design.
- Up/down cheek piece adjustment.
- Forward/rearward cheek piece adjustment.
- Buttstock sling attachment.
- Rubberized butt pad.

### SPECIFICATIONS

**C6 buttstock** Part#: 4016

**Dimensions:**  
8.66" x 2.08" x 5.56" | 22 x 5.28 x 14.12 cm

**Dimensions extended:**  
10.66" x 2.08" x 7.76" | 27.08 x 5.28 x 19.71 cm

**Weight (±):** 2 lb | 907 grams

**Material:** 6061-T6 aluminum



# C9/M249 DUAL RAIL



**SPECIFICATIONS**

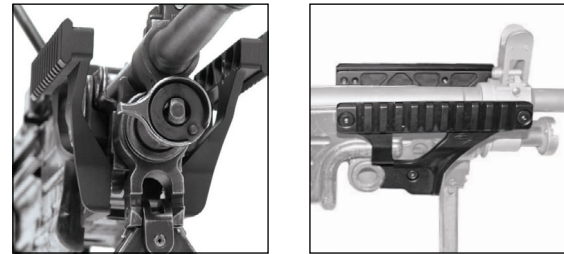
**C9/M249 dual rail** - Part#: 578

**Dimensions:**  
5.15" x 3.76" x 3.2" | 13.08 x 9.57 x 8.13 cm

**Weight (±):** 0.53 lb | 241 grams

**Material:** 6061-T6 aluminum

The Cadex dual rail for the C9, M249 and FNH® Minimi light machine guns provides the user with a versatile, lightweight mount for laser pointers and illumination devices.



- FEATURES:**
- Mil Std M1913 rails at the 3 and 9 o'clock positions.
  - Reduces heat and vibration transferred to attached electro-optics.
  - Provides excellent zero retention of mounted devices.
  - Clamps to the weapon receiver and indexes with the machine gun's front mount bushing.

# C9/M249 TRI-RAIL



**SPECIFICATIONS**

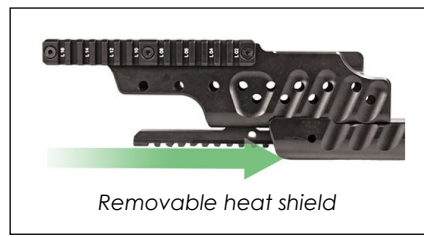
**C9/M249 tri-rail** - Part#: 1212

**Dimensions:**  
10.98" x 2.66" x 3.89" | 27.9 x 6.78 x 9.89 cm

**Weight (±):** 1.06 lb | 482 grams

**Material:** 6061-T6 aluminum

The Cadex tri-rail for the C9, M249 and FNH® Minimi LMGs provides the gunner a solid mount for lights, aiming lasers and other weapon accessories.



- FEATURES:**
- Minimizes heat transfer to the gunner's hand when firing at high rate of fire.
  - Provides three Mil Std M1913 rails, at 3, 6 and 9 o'clock.
  - The side rail location is optimized to place aiming lasers in the same horizontal plane as the barrel axis.
  - Keeps accessories mounted close to the weapon's center of gravity.

# C16 COVER LATCH & HANDLE

Cadex cover latch assembly was designed for mission success. Built from 6061-T6 aluminum, delrin and stainless steel.



C16 cover latch

- FEATURES:**
- Cover Latch assembly is easily indexed during complex operations both day and night.
  - Single handed manual operation.
  - Operator friendly for gun drills loading/unloading.
  - Installs in minutes on the existing cover. No modifications required.

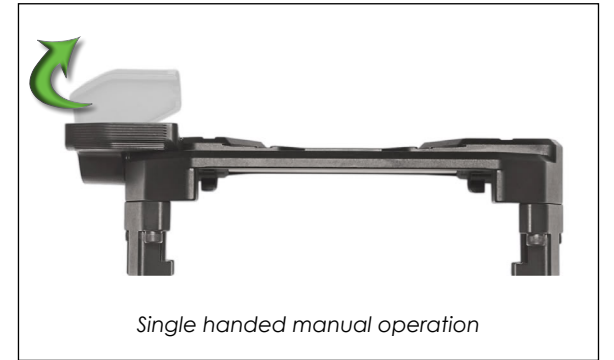
**SPECIFICATIONS**

**C16 cover latch**  
Part#: 5119-A001 (NSN#: 1005-20-009-5600)

**Dimensions:**  
10.66" x 3.57" x 3.26" | 27.08 x 9.07 x 8.28 cm

**Weight (±):** 1.86 lb | 844 grams

**Material:** Aluminum / Stainless / Delrin



## EXTENDED COCKING HANDLE

- FEATURES:**
- Extended cocking handle for use with gloves.

**SPECIFICATIONS**

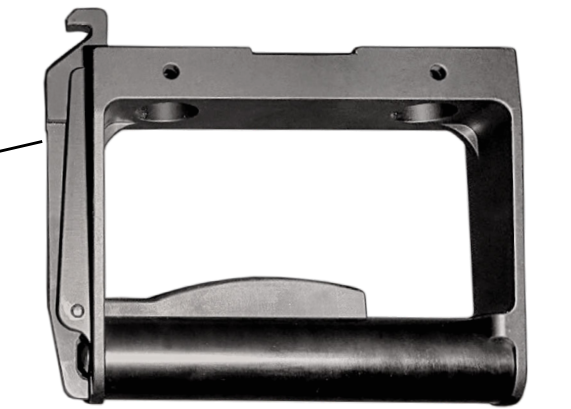
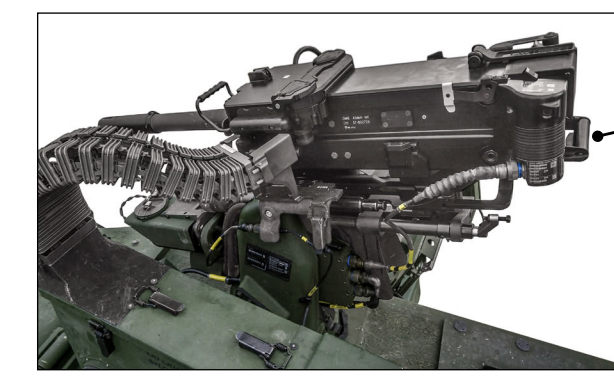
**Extended cocking handle**  
Part#: 5119-A050

**Dimensions:**  
5.23" x 4.6" x 1.44" | 13.28 x 11.68 x 3.66 cm

**Weight (±):** 0.69 lb | 313 grams

**Material:** Aluminum / Stainless / Delrin

*\*Compatible with HK GMG only*



# BREACHING MULTI-TOOLS

The Cadex Titanium Halligan Bars (24" or 30") are the ultimate breaching tools available in the breacher's arsenal. You can pry, twist, rip or smash doors, frames, drywall and basically any piece of wood that gets in your way. The weight saving is tremendous, as titanium is about half the weight of steel that would normally be used on similar tools, without compromising its wielding power.



TITANIUM HALLIGAN BARS

#### FEATURES:

- High strength, titanium alloy, one piece integrally cast octagonal shaft and ends.
- 56% lighter than steel.
- Rust free and corrosion resistant to many chemicals and salt water.
- Low conductivity.

#### SPECIFICATIONS

**Titanium Halligan Bar 24"**  
Part#: 580-089

**Dimensions:**  
6.87" x 6.75" x 24"  
17.45 x 17.15 x 60.96 cm

**Weight (±):**  
4.13 lb | 1873 grams

**Material:** Titanium alloy

#### SPECIFICATIONS

**Titanium Halligan Bar 30"**  
Part#: 580-088

**Dimensions:**  
6.87" x 6.75" x 30"  
17.45 x 17.15 x 76.2 cm

**Weight (±):**  
4.8 lb | 2177 grams

**Material:** Titanium alloy



The Cadex telescopic tactical breaching multi-tool is one of the most powerful breaching tools available. A combination of breaching hammer, Halligan tool, hinge breaker and expedient ram. The Cadex tactical breaching multi-tool provides superior capabilities over traditional single use tools. Recently upgraded after ten years of service, the improved TBH allows the user to adapt their equipment to the mission at hand.

#### FEATURES:

- Its unique design incorporates the functionality of multiple tools, in a simple package. Carry one or carry five?
- Its telescopic design makes it very compact to carry. It can be used collapsed or extended.
- Can be interchanged between the hinge breaker or the optional "break and rake tip".
- CQB tactical breaching multi-tool also available for use in restricted confines or as a secondary team tool.
- Replacement parts available on request:  
- Hammer head: #580-048 - Hammer fork: #580-026

#### SPECIFICATIONS

**CQB** Part#: 580-A009

**Dimensions:**  
9" x 2.5" x 16.24" | 22.86 x 6.35 x 41.27 cm **Extended:** 22.24" | 56.51 cm

**Weight (±):** 12.14 lb | 5507 grams

**Material:** Alloy steel and aluminum

#### SPECIFICATIONS

**TBH** Part#: 580-A005 (NSN#: 5120-20-008-4801)

**Dimensions:**  
9" x 2.5" x 23" | 22.86 x 6.35 x 58.42 cm **Extended:** 33.12" | 84.13 cm

**Weight (±):** 16.83 lb | 7636 grams

**Material:** Alloy steel and aluminum

CQB



Extended CQB



TBH



Extended TBH



\*Contact Cadex prior to purchase for more information on recommended use\*

Optional "Break & Rake" tip  
(Part#: 580-A001)



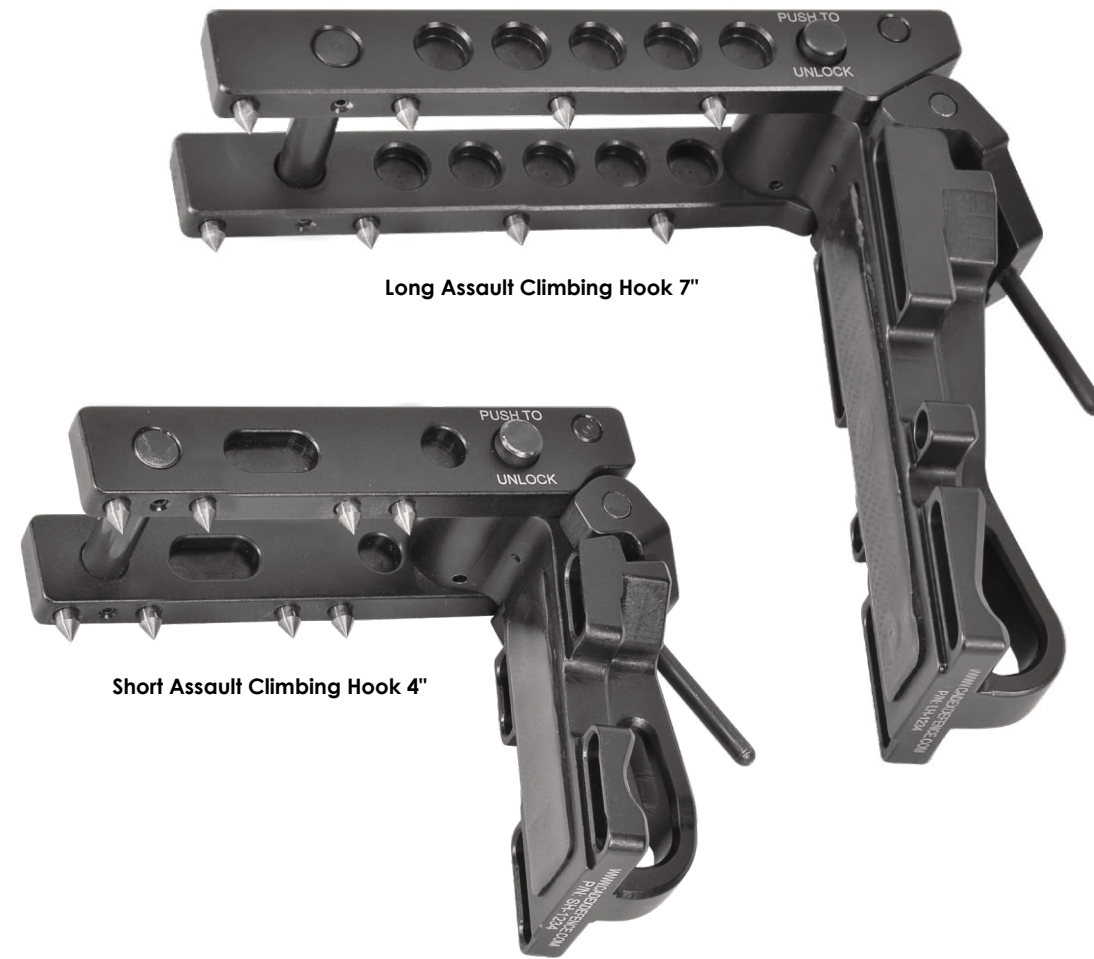
(NSN#: 5120-20-008-4805)



Sling and QD sling mount  
included



# CLIMBING HOOKS 4" & 7"



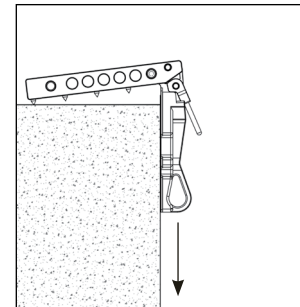
Long Assault Climbing Hook 7"

Short Assault Climbing Hook 4"

The Cadex Short (4") and Long (7") Assault Climbing Hook (SACH) provide the entry teams with an extremely versatile tool for vertical methods of entry in scenarios where it is not practical to use the larger Cadex Extra Long Assault Climbing Hook.

### FEATURES:

- Designed for use with an extension pole system to securely fix assault ladders in place on the wide variety of surfaces encountered during operations.
- Can be hand-emplaced.
- Carbide spikes ensure proper hook grip.
- Folds for easy transport and storage.



### SPECIFICATIONS

**Short Climbing Hook 4"** - Part#: SH-1234  
(NSN#: 5120-20-011-7359)

**Dimensions:**  
1.97" x 2.35" x 4.67" | 5.02 x 5.97 x 11.87 cm

**Static hook capacity:** 1300 lb | 589 670 grams

**Weight (±):** 0.78 lb | 355 grams

**Material:** Aeronautical Aluminum (Frame)  
Carbide (Spike)

### SPECIFICATIONS

**Long Climbing Hook 7"** - Part#: LH-1234  
(NSN#: 4240-20-009-4802)

**Dimensions:**  
2.03" x 2.35" x 6.9" | 5.16 x 5.97 x 17.53 cm

**Static hook capacity:** 1300 lb | 589 670 grams

**Weight (±):** 1.1 lb | 497 grams

**Material:** Aeronautical Aluminum (Frame)  
Carbide (Spike)



# CLIMBING HOOKS 14"

The Cadex Extra Long Assault Climbing Hook provides the entry teams with a versatile tool for use with pole systems to securely position assault ladders on irregularly shaped or rounded surfaces. It opens to multiple angles to provide three surfaces, allowing the hook to grab the face, top and rear of differently shaped surfaces.

### FEATURES:

- Designed for use with an existing pole system to securely fix assault ladders in place on the wide variety of surfaces encountered during operations.
- Can be employed with or without carabiners.
- Can be hand-emplaced.
- The replaceable stainless steel spikes are extremely resistant to wear or breakage.
- Folds for easy transport and storage.
- Ideal for mud walls.



Each hook comes with 3 sets of hardened spikes in the following lengths:

1/2"  
(12.7mm)

3/4"  
(19.1mm)

1 1/2"  
(38.1mm)



### SPECIFICATIONS

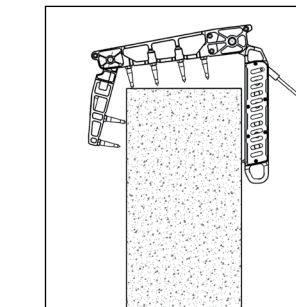
**Extra Long Climbing Hook 14"** - Part#: DH-1867  
(NSN#: 4240-20-009-4803)

**Dimensions:**  
3.45" x 3.35" x 10.74" | 8.76 x 8.51 x 27.28 cm

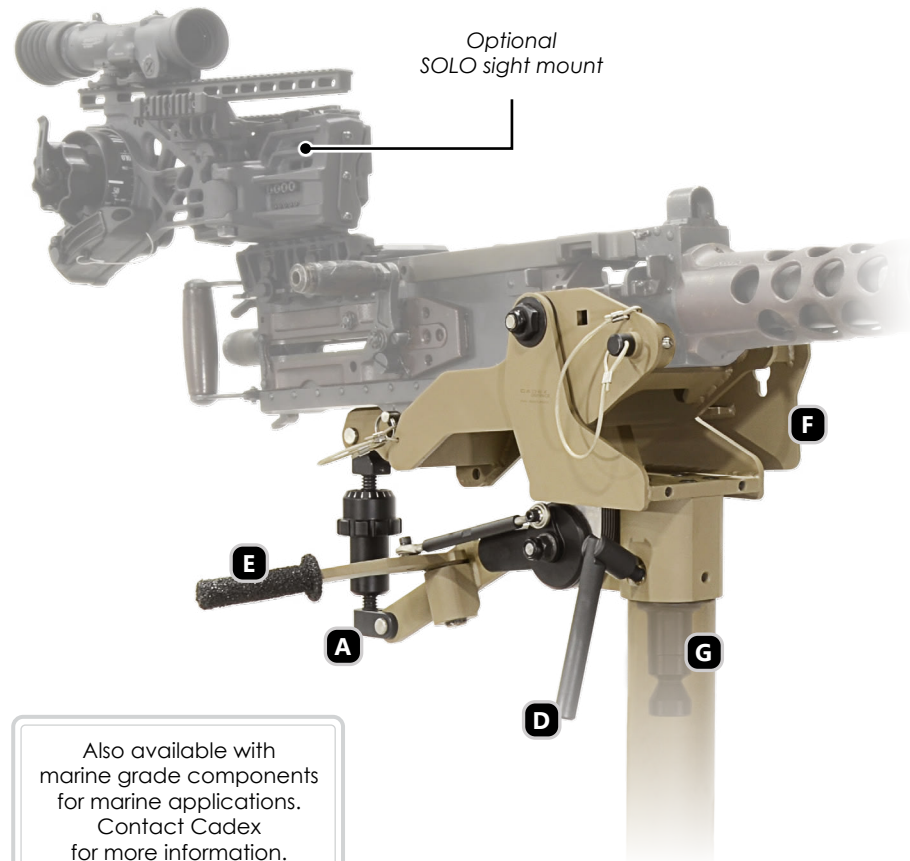
**Static hook capacity:** 1000 lb | 453 592 grams

**Weight (±):** 2.43 lb | 1100 grams

**Material:** 7075-T6 aluminum (Frame) Stainless Steel (Spike)



# M2 CRADLE MOUNT



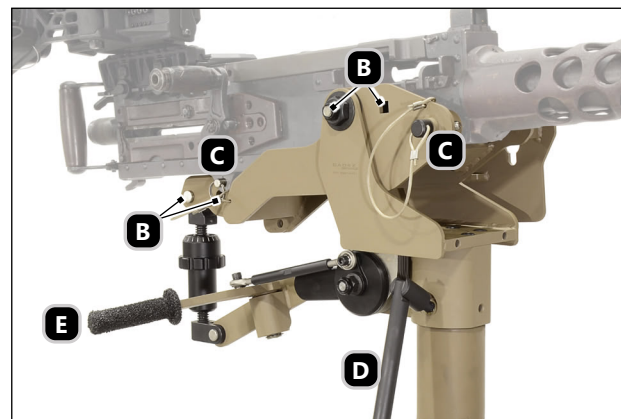
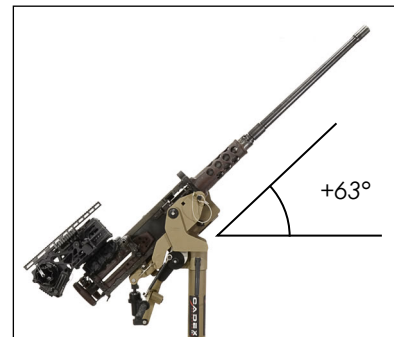
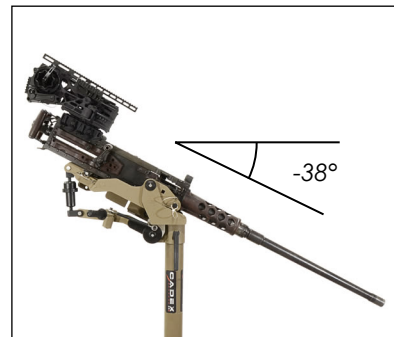
The Cadex M2 cradle mount has been developed to provide an easy-to-operate affordable mounting solution for the Browning M2.

- A** Micro adjustable elevation system with 1 mil increment per click.
- B** 2-point balanced mounting system. SOLO Optic enhancement package ready.
- C** Blackened stainless steel machine gun mounting pins.
- D** User-friendly threaded traverse locking mechanism.
- E** Responsive clutch locking elevation mechanism.
- F** Standard military ammo box plate.
- G** Standard M2 pintle adaptor.
- H** M240/M249 adaptor Kit.
- I** M249 ammo box adaptor plate.

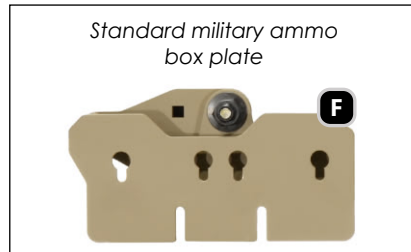
**\*Available on special request for grenade machine gun**

Also available with marine grade components for marine applications. Contact Cadex for more information.

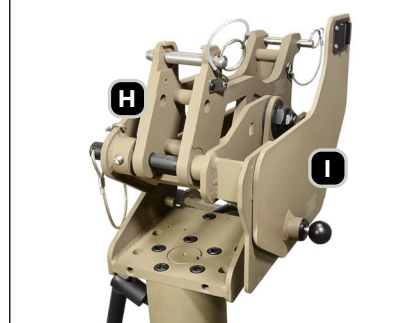
## MAXIMUM ELEVATION RANGE



**SPECIFICATIONS**  
**M2 cradle mount**  
 Part#: 6987-A100  
**Dimensions:**  
 20" x 13.75" x 15" | 50.8 x 34.93 x 38.1 cm  
**Weight (±):** 50.1 lb | 22 725 grams  
**Material:** Steel / Cerakote paint



**Mark 93 adaptor kit - M240/M249**  
 H- Part#: 6987-A016  
 I- Part#: 6987-A015



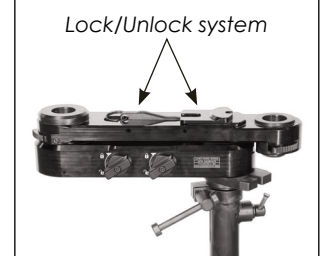
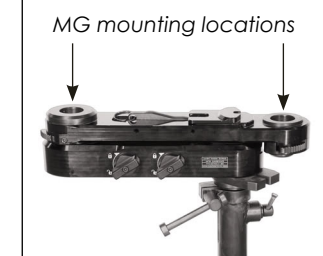
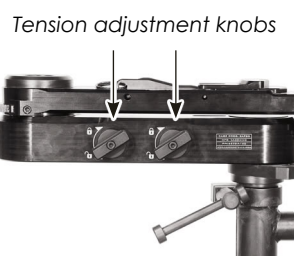
# MG VEHICLE ARM

The Cadex MG vehicle arm attaches to the multi-position MG support using its ACMAT pintle. It allows the mounting of a machine gun at two different locations, either at the end of the arm or at its center section using the NATO pintle. A fast release system is used to lock/unlock the MG pintle instead of the traditional push pin. Two tension adjustment knobs are used to restrain free movement of the machine gun depending on its weight.

The MG vehicle arm is a low profile system that can deploy in a couple of seconds for fast target engagement and can fold rapidly for transport. This is the ultimate MG mount and no other arm offers as much adjustability.

**SPECIFICATIONS**  
**MG vehicle arm**  
 Part#: 5573-A120-K1  
**Dimensions:** 15.25" x 5.68" x 8.84" | 38.74 x 14.43 x 22.45 cm  
**Weight (±):** 18.2 lb | 8260 grams  
**Material:** Steel / 6061-T6 aluminum

**SPECIFICATIONS**  
**Multi-position MG support**  
 Part#: 5573-A111-K1  
**Dimensions:** 4.94" x 3.8" x 38.57" | 12.55 x 9.65 x 97.97 cm  
**Weight (±):** 15.6 lb | 7070 grams  
**Material:** Steel



Cadex multi-position MG support allows the mounting of the machine gun vehicle arm to be adjusted rapidly to fit operator's ergonomics. Internal piston controls the rising speed of the machine gun. Allows 12" of adjustment with 1" increments. Features a locking knob and a tension lever.



# SNIPER AERIAL PLATFORM

Sniper Quebec



Contrary to popular belief, shooting with accuracy from an aerial platform is not obscure science chalked up to luck, but rather actual, hard science.

The Cadex Sniper Aerial Platform provides a sniping solution composed of two distinct systems, which can greatly improve the hit rate on a target.

The first device is a PIVOTING GUN SUPPORT mounted on an existent aircraft attachment point allowing the shooter to rest his rifle and be able to move it around as he wishes.

The second device is an ADJUSTABLE CLIP-ON SCOPE RAIL capable of being adjusted "on the fly" based on the speed of the aircraft. By using this device, the shooter does not need to do some reticle hold-off since the firing solution (dope) is built-in the rail. The shooter can now engage the target with the scope reticle aimed at center mass without the need to compensate.

Point of aim, point of impact!

It is one thing to own the solution to every airborne sniper's problem, but it's another to master its use in the field. This is why Sniper Quebec Shooting School has spent years in the field developing and perfecting the expertise. Sniper Quebec can provide extensive training to law Enforcement Agencies looking for a key-in-hand solution. Contact Cadex Defence to get in contact with Mr. Mario Dutil.



For more information on those products,  
please contact Cadex's LE Sales Representative

\*Fits Bell 412 and Griffon CH-146 helicopters.  
May fit other helicopters with 12-JAW fittings and track system.



# CADEX RECREATIONAL PRODUCTS

Modifications & Upgrades



Cadex and BRP® (Bombardier Recreational Products) have developed a close relationship that allows Cadex to modify ATV and SSV off road vehicles, personal watercrafts and snowmobiles. With robust and high-quality BRP® products at its core, Cadex can tailor to the needs of Military, Special Forces and LE professionals. Ready solutions include the installation of infrared lighting, complete light shut off, small arms and machine gun mounts, gun racks, GPS navigation, backcountry tracks and much more!



GTI 130



MAVERICK X3



OUTLANDER MAX XT 1000R



# ACTIONS TABLE

MODEL NAME	MODEL CODE	CALIBER	REM 700 CLONE	ACTION TYPE	BOLT BODY TYPE	PRIMER TYPE	BOLT STYLE	SAFETY SYSTEM	TOP RAIL MOA (I)= OPTIONAL	AICS COMPATIBLE MAG	ACTION THREADS	RECOIL LUG THICKNESS	ACTION DIAMETER	ACTION LENGTH	APPROX. WEIGHT	PART NUMBERS
CDX-SS SEVEN S.T.A.R.S.	CDX-SS	STANDARD SA	YES	SHORT	GROUP A (.385")	SRP/LRP	3 LUG, 60°	REM STYLE	20	DSSF 3.055"	1-1/16-18 TPI	.250"	1.350"	7.850"	± 1.96 lb	CDXSS-STAR-ACT-SA-TA
		STANDARD SA	YES	SHORT	GROUP B (.480")	SRP/LRP	3 LUG, 60°	REM STYLE	20	DSSF 3.055"	1-1/16-18 TPI	.250"	1.350"	7.850"	± 1.96 lb	CDXSS-STAR-ACT-SA-TB
CDX-R7 SHP HUNTING SERIES	CDX-R7 SA	STANDARD SA	YES	SHORT	GROUP B (.480")	LRP	4 LUG, 50°	REM STYLE	0 or (20, 30)	DSSF 3.055"	1-1/16-18 TPI	.250"	1.350"	7.850"	± 2.08 lb	CDXR7-HUNT-ACT-SA-TB
		MAGNUM SA	YES	SHORT	GROUP C (.550")	LRP	4 LUG, 50°	REM STYLE	0 or (20, 30)	DSSF 3.055"	1-1/16-18 TPI	.250"	1.350"	7.850"	± 2.08 lb	CDXR7-HUNT-ACT-SA-TC
	CDX-R7 LA	STANDARD LA	YES	LONG	GROUP B (.480")	LRP	4 LUG, 50°	REM STYLE	0 or (20, 30)	SSSF 3.715", 3.775" or 3.850" CIP	1-1/16-18 TPI	.250"	1.350"	8.700"	± 2.26 lb	CDXR7-HUNT-ACT-LA-TB
		MAGNUM LA	YES	LONG	GROUP C (.550")	LRP	4 LUG, 50°	REM STYLE	0 or (20, 30)	SSSF 3.715", 3.775" or 3.850" CIP	1-1/16-18 TPI	.250"	1.350"	8.700"	± 2.26 lb	CDXR7-HUNT-ACT-LA-TC
CDX-R7 SHP SERIES	CDX-R7 SHP SA	STANDARD SA	YES	SHORT	GROUP B (.480")	LRP	4 LUG, 50°	REM STYLE	20 or (0, 30)	DSSF 3.055"	1-1/16-18 TPI	.250"	1.350"	7.850"	± 2.38 lb	CDXR7-SDOG-ACT-TB
		MAGNUM SA	YES	SHORT	GROUP C (.550")	LRP	4 LUG, 50°	REM STYLE	20 or (0, 30)	DSSF 3.055"	1-1/16-18 TPI	.250"	1.350"	7.850"	± 2.38 lb	CDXR7-SDOG-ACT-TC
	CDX-R7 SHP LA	STANDARD LA	YES	LONG	GROUP B (.480")	LRP	4 LUG, 50°	REM STYLE	20 or (0, 30)	SSSF 3.715", 3.775" or 3.850" CIP	1-1/16-18 TPI	.250"	1.350"	8.700"	± 2.57 lb	CDXR7-SHPD-ACT-TB
		MAGNUM LA	YES	LONG	GROUP C (.550")	LRP	4 LUG, 50°	REM STYLE	20 or (0, 30)	SSSF 3.715", 3.775" or 3.850" CIP	1-1/16-18 TPI	.250"	1.350"	8.700"	± 2.57 lb	CDXR7-SHPD-ACT-TC
CDX-R7 SHP LA	CDX-R7 SHP LA	STANDARD LA	YES	LONG	GROUP B (.480")	LRP	4 LUG, 50°	REM STYLE	20 or (0, 30)	SSSF 3.715", 3.775" or 3.850" CIP	1-1/16-18 TPI	.250"	1.350"	8.700"	± 2.57 lb	CDXR7-SHPD-ACT-TB
		MAGNUM LA	YES	LONG	GROUP C (.550")	LRP	4 LUG, 50°	REM STYLE	20 or (0, 30)	SSSF 3.715", 3.775" or 3.850" CIP	1-1/16-18 TPI	.250"	1.350"	8.700"	± 2.57 lb	CDXR7-SHPD-ACT-TC
	CDX-R7 SHP LA	STANDARD LA	YES	LONG	GROUP B (.480")	LRP	4 LUG, 50°	REM STYLE	20 or (0, 30)	SSSF 3.715", 3.775" or 3.850" CIP	1-1/16-18 TPI	.250"	1.350"	8.700"	± 2.57 lb	CDXR7-SHPD-ACT-TB
		MAGNUM LA	YES	LONG	GROUP C (.550")	LRP	4 LUG, 50°	REM STYLE	20 or (0, 30)	SSSF 3.715", 3.775" or 3.850" CIP	1-1/16-18 TPI	.250"	1.350"	8.700"	± 2.57 lb	CDXR7-SHPD-ACT-TC
CDX-30	CDX-30	STANDARD SA	NO	LONG	GROUP B (.480")	LRP	3 LUG, 60°	ON SHROUD	20	DSSF 3.055"	1-1/16-18 TPI	.350"	1.550"	9.000"	± 3.07 lb	CDX30-GUAR-ACT-TB
CDX-30SS	CDX-30SS	STANDARD SA	NO	LONG	GROUP B (.480")	LRP	3 LUG, 60°	ON SHROUD	20	NOT COMPATIBLE	1-1/16-18 TPI	.350"	1.550"	9.000"	± 3.07 lb	CDX30SS-GUAR-ACT-TB
CDX-300	CDX-300	MAGNUM LA	NO	LONG	GROUP C (.550")	LRP	3 LUG, 60°	ON SHROUD	20	SSSF 3.715", 3.775" or 3.850" CIP	1-1/16-18 TPI	.350"	1.550"	9.000"	± 3.07 lb	CDX300-FREE-ACT-TC
CDX-300SS	CDX-300SS	MAGNUM LA	NO	LONG	GROUP C (.550")	LRP	3 LUG, 60°	ON SHROUD	20	NOT COMPATIBLE	1-1/16-18 TPI	.350"	1.550"	9.000"	± 3.07 lb	CDX300SS-FREE-ACT-TC
CDX-33	CDX-33	SUPER MAGNUM LA	NO	LONG	GROUP D (.600")	LRP	3 LUG, 60°	ON SHROUD	20	SSSF 3.715", 3.775" or 3.850" CIP	1-1/16-18 TPI	.350"	1.550"	9.000"	± 3.07 lb	CDX33-PATR-ACT-TD
CDX-33SS	CDX-33SS	SUPER MAGNUM LA	NO	LONG	GROUP D (.600")	LRP	3 LUG, 60°	ON SHROUD	20	NOT COMPATIBLE	1-1/16-18 TPI	.350"	1.550"	9.000"	± 3.07 lb	CDX33SS-PATR-ACT-TD
CDX-40 SHDW	CDX-40 SHDW	XL ACTION	NO	XL	GROUP E (.670")	LRP	3 LUG, 60°	ON SHROUD	20	CADEX ONLY	1-3/16"-18 TPI	.350"	1.600"	10.000"	± 3.81 lb	CDX40-SHDW-ACT-TE
CDX-40SS SHDW	CDX-40SS SHDW	SINGLE SHOT XL ACTION	NO	XL	GROUP E (.670")	LRP	3 LUG, 60°	ON SHROUD	20	NOT COMPATIBLE	1-3/16"-18 TPI	.350"	1.600"	10.000"	± 4.18 lb	CDX40SS-SHDW-ACT-TE
CDX-50 TREMOR®	CDX-50 TRMR	XL ACTION	NO	XL	GROUP F (.825")	50 BMG	4 LUG, 50°	ON SHROUD	20	CADEX ONLY	1-1/2"-18 TPI	.420"	1.960"	11.900"	± 5.78 lb	CDX50-TRMR-ACT-TF
CDX-50SS TREMOR®	CDX-50SS TRMR	SINGLE SHOT XL ACTION	NO	XL	GROUP F (.825")	50 BMG	4 LUG, 50°	ON SHROUD	20	NOT COMPATIBLE	1-1/2"-18 TPI	.420"	1.960"	11.900"	± 6.45 lb	CDX50SS-TRMR-ACT-TF
CDX-X60	CDX-X60	XL ACTION	NO	XL	GROUP G (1.082")	50 BMG	4 LUG, 50°	ON SHROUD	20	CADEX ONLY	1-7/8"-18 TPI	.420"	2.400"	14.160"	± 9.69 lb	CDXX60-XTRM-ACT-TG
<b>LEFT HANDED ACTION</b>																
CDX-R7 SHP SERIES	CDX-R7 SHP LEFT	STANDARD SA	YES	SHORT	GROUP B (.480")	LRP	4 LUG, 50°	REM STYLE	20 (0, 30)	DSSF 3.055"	1-1/16-18 TPI	.250"	1.350"	7.850"	± 2.38 lb	CDXR7-LH-SDOG-ACT-TB
		MAGNUM SA	YES	SHORT	GROUP C (.550")	LRP	4 LUG, 50°	REM STYLE	20 (0, 30)	DSSF 3.055"	1-1/16-18 TPI	.250"	1.350"	7.850"	± 2.38 lb	CDXR7-LH-SDOG-ACT-TC

DISCLAIMER: Too many components are involved to accurately predict the final weight of a rifle. It is impossible to confirm the weight of all our rifle models because it varies depending on each caliber.

# KRAKEN® CONFIGURATOR

## STEP 1

Choose main caliber (refer to table below).

Each complete rifle comes with **one magazine, one muzzle brake and one sniper drag bag.**  
\*Except military contracts.

## STEP 2

If you want to add any additional caliber(s) you will require:

**Tooling kit:** Only need one per rifle.

**Barrel(s):** Choose your secondary caliber(s) from the table below.

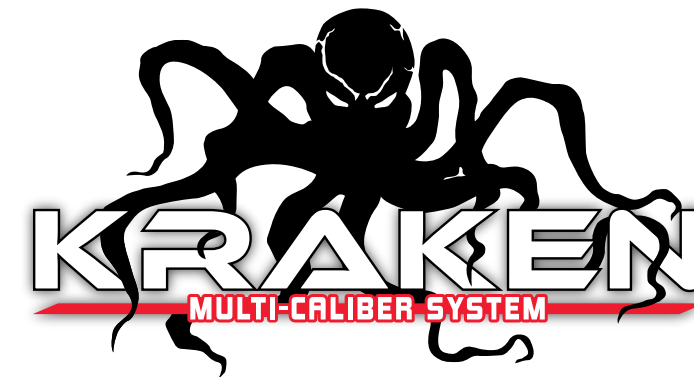
**Bolt body(ies):** Select group B, C or D. Only need one per caliber group.

**Conversion kit(s):** Select group B (DSSF 3.055"), group C (SSSF 3.715"), group C (SSSF 3.850 CIP) or group D (DSSF 3.850" CIP). Only need one per caliber group.

**Magazine(s):** Not needed if both calibers reuse the same magazine type. Refer to P. 80.

\*All calibers reuse the same interchangeable firing pin. You may want an additional firing pin, if you prefer not to swap them from one bolt body to another.

\*Even if you do not plan on purchasing a new caliber right away, we still recommend that you purchase the Kraken® Tool Kit to remove your barrel for an easier cleaning process.



## STEP 3

Complete your kit with popular accessories such as:

- Extra muzzle brake
- Hard case with cut-out foam
- Falcon bipod
- Suppressor
- ARCA Elite System (AES)
- Rifle sling
- Scope mount
- Extra firing pin

Please refer to P. 29 for many more optional items.

MODEL	CALIBER	ACTION LENGTH	BOLT BODY TYPE	PRIMER TYPE	BOLT STYLE	TOP RAIL MOA	MAGAZINE TYPE	MAGAZINE CAPACITY	INCLUDED MAGAZINE	BARREL TYPE	BARREL LENGTH	TWIST RATE	RIFLING TYPE	THREAD PITCH	MUZZLE BRAKE	O.A.L.*	O.A.L. FOLDED*	APPROX. WEIGHT	PART NUMBERS
CDX-MC KRAKEN®	6 Creedmoor	LONG	GROUP B (.480")	LRP	3 LUG, 60°	20 (30, 45)	DSSF 3.055"	10	MAG100-0040	Bartlein	26"	1:7½"	5R	5/8"-24	MX1	± 46.0"	± 37.5"	± 15.8 lb	CDXMC-KRKN-6CM-26
	6.5 Creedmoor	LONG	GROUP B (.480")	LRP	3 LUG, 60°	20 (30, 45)	DSSF 3.055"	10	MAG100-0040	Bartlein	16.5"	1:8"	5R	5/8"-24	MX1	± 36.5"	± 28"	± 14.9 lb	CDXMC-KRKN-6.5-165
	6.5 Creedmoor	LONG	GROUP B (.480")	LRP	3 LUG, 60°	20 (30, 45)	DSSF 3.055"	10	MAG100-0040	Bartlein	20"	1:8"	5R	5/8"-24	MX1	± 40.0"	± 31.5"	± 15.2 lb	CDXMC-KRKN-6.5-20
	6.5 Creedmoor	LONG	GROUP B (.480")	LRP	3 LUG, 60°	20 (30, 45)	DSSF 3.055"	10	MAG100-0040	Bartlein	24"	1:8"	5R	5/8"-24	MX1	± 44.0"	± 35.5"	± 15.6 lb	CDXMC-KRKN-6.5-24
	6.5 Creedmoor	LONG	GROUP B (.480")	LRP	3 LUG, 60°	20 (30, 45)	DSSF 3.055"	10	MAG100-0040	Bartlein	26"	1:8"	5R	5/8"-24	MX1	± 46.0"	± 37.5"	± 15.8 lb	CDXMC-KRKN-6.5-26
	308 Win	LONG	GROUP B (.480")	LRP	3 LUG, 60°	20 (30, 45)	DSSF 3.055"	10	MAG100-0040	Bartlein	16.5"	1:10"	5R	5/8"-24	MX1	± 36.5"	± 28"	± 14.9 lb	CDXMC-KRKN-308-165
	308 Win	LONG	GROUP B (.480")	LRP	3 LUG, 60°	20 (30, 45)	DSSF 3.055"	10	MAG100-0040	Bartlein	20"	1:11¼" or (1:10")	5R	5/8"-24	MX1	± 40.0"	± 31.5"	± 15.2 lb	CDXMC-KRKN-308-20
	308 Win	LONG	GROUP B (.480")	LRP	3 LUG, 60°	20 (30, 45)	DSSF 3.055"	10	MAG100-0040	Bartlein	24"	1:11¼" or (1:10")	5R	5/8"-24	MX1	± 44.0"	± 35.5"	± 15.6 lb	CDXMC-KRKN-308-24
	308 Win	LONG	GROUP B (.480")	LRP	3 LUG, 60°	20 (30, 45)	DSSF 3.055"	10	MAG100-0040	Bartlein	26"	1:11¼" or (1:10")	5R	5/8"-24	MX1	± 46.0"	± 37.5"	± 15.8 lb	CDXMC-KRKN-308-26
	7 PRC	LONG	GROUP C (.550")	LRP	3 LUG, 60°	30 (20, 45)	SSSF 3.850" CIP	5	MDT-3PR	Bartlein	26"	1:8"	5R	5/8"-24	MX1	± 46.0"	± 37.5"	± 15.8 lb	CDXMC-KRKN-7PR-26
	300 Win Mag	LONG	GROUP C (.550")	LRP	3 LUG, 60°	30 (20, 45)	SSSF 3.715"	5	MAG100-0001	Bartlein	26"	1:10"	5R	5/8"-24	MX1	± 46.0"	± 37.5"	± 15.8 lb	CDXMC-KRKN-300-26
	300 PRC	LONG	GROUP C (.550")	LRP	3 LUG, 60°	30 (20, 45)	SSSF 3.850" CIP	5	MDT-3PR	Bartlein	26"	1:8"	5R	5/8"-24	MX1	± 46.0"	± 37.5"	± 15.8 lb	CDXMC-KRKN-3PR-26
	300 RUM	LONG	GROUP C (.550")	LRP	3 LUG, 60°	30 (20, 45)	SSSF 3.850" CIP	5	MAG100-0043	Bartlein	26"	1:8"	5R	5/8"-24	MX1	± 46.0"	± 37.5"	± 15.8 lb	CDXMC-KRKN-RUM-26
	300 Norma Mag	LONG	GROUP D (.600")	LRP	3 LUG, 60°	30 (20, 45)	DSSF 3.850" CIP	5	MAG100-0020	Bartlein	26"	1:8"	5R	5/8"-24	MX1	± 46.0"	± 37.5"	± 15.8 lb	CDXMC-KRKN-3NM-26
	300 Norma Mag	LONG	GROUP D (.600")	LRP	3 LUG, 60°	30 (20, 45)	DSSF 3.850" CIP	5	MAG100-0020	Bartlein	32"	1:8"	5R	5/8"-24	MX1	± 52.0"	± 43.5"	± 16.4 lb	CDXMC-KRKN-3NM-32
	338 Lapua Mag	LONG	GROUP D (.600")	LRP	3 LUG, 60°	30 (20, 45)	DSSF 3.850" CIP	5	MAG100-0020	Bartlein	27"	1:9½"	5R	3/4"-24	MX1	± 47.0"	± 38.5"	± 15.9 lb	CDXMC-KRKN-338-27
	338 Lapua Mag	LONG	GROUP D (.600")	LRP	3 LUG, 60°	30 (20, 45)	DSSF 3.850" CIP	5	MAG100-0020	Bartlein	32"	1:9½"	5R	3/4"-24	MX1	± 52.0"	± 43.5"	± 16.4 lb	CDXMC-KRKN-338-32

\*Dimensions do not include the muzzle brake. \*\*Items in red are available on special request.

DISCLAIMER: Too many components are involved to accurately predict the final weight of a rifle. It is impossible to confirm the weight of all our rifle models because it varies depending on each caliber.

# CDX-30/300/33 & X-LITE TABLE

MODEL	CALIBER	ACTION LENGTH	BOLT BODY TYPE	PRIMER TYPE	BOLT STYLE	TOP RAIL MOA	MAGAZINE TYPE	MAGAZINE CAPACITY	INCLUDED MAGAZINE	BARREL TYPE	BARREL LENGTH	TWIST RATE	RIFLING TYPE	THREAD PITCH	MUZZLE BRAKE	O.A.L.*	O.A.L. FOLDED*	APPROX. WEIGHT	PART NUMBERS
CDX-30 LITE	6 Creedmoor	LONG	GROUP B (.480")	LRP	3 LUG, 60°	20 (30, 45)	DSSF 3.055"	10	MAG100-0040	Barlein	26"	1:7½"	5R	5/8"-24	MX1	± 45.9"	± 37.4"	± 14.3 lb	CDX30-LITE-6CM-26
	6.5 Creedmoor	LONG	GROUP B (.480")	LRP	3 LUG, 60°	20 (30, 45)	DSSF 3.055"	10	MAG100-0040	Barlein	24"	1:8"	5R	5/8"-24	MX1	± 43.9"	± 35.4"	± 14.1 lb	CDX30-LITE-6.5-24
	6.5 Creedmoor	LONG	GROUP B (.480")	LRP	3 LUG, 60°	20 (30, 45)	DSSF 3.055"	10	MAG100-0040	Barlein	26"	1:8"	5R	5/8"-24	MX1	± 45.9"	± 37.4"	± 14.3 lb	CDX30-LITE-6.5-26
	6.5 PRC	LONG	GROUP C (.550")	LRP	3 LUG, 60°	20 (30, 45)	DSSF 3.055"	7	MAG100-0008	Barlein	24"	1:8"	5R	5/8"-24	MX1	± 43.9"	± 35.4"	± 14.1 lb	CDX30-LITE-6PR-24
	6.5 PRC	LONG	GROUP C (.550")	LRP	3 LUG, 60°	20 (30, 45)	DSSF 3.055"	7	MAG100-0008	Barlein	26"	1:8"	5R	5/8"-24	MX1	± 45.9"	± 37.4"	± 14.3 lb	CDX30-LITE-6PR-26
	308 Win	LONG	GROUP B (.480")	LRP	3 LUG, 60°	20 (30, 45)	DSSF 3.055"	10	MAG100-0040	Barlein	20"	1:11¼" or (1:10")	5R	5/8"-24	MX1	± 39.9"	± 31.4"	± 13.7 lb	CDX30-LITE-308-20
	308 Win	LONG	GROUP B (.480")	LRP	3 LUG, 60°	20 (30, 45)	DSSF 3.055"	10	MAG100-0040	Barlein	24"	1:11¼" or (1:10")	5R	5/8"-24	MX1	± 43.9"	± 35.4"	± 14.1 lb	CDX30-LITE-308-24
	308 Win	LONG	GROUP B (.480")	LRP	3 LUG, 60°	20 (30, 45)	DSSF 3.055"	10	MAG100-0040	Barlein	26"	1:11¼" or (1:10")	5R	5/8"-24	MX1	± 45.9"	± 37.4"	± 14.3 lb	CDX30-LITE-308-26
CDX-300 LITE	300 Win Mag	LONG	GROUP C (.550")	LRP	3 LUG, 60°	30 (20, 45)	SSSF 3.715"	5	MAG100-0001	Barlein	26"	1:10"	5R	5/8"-24	MX1	± 45.9"	± 37.4"	± 14.3 lb	CDX300-LITE-300-26
	300 PRC	LONG	GROUP C (.550")	LRP	3 LUG, 60°	30 (20, 45)	SSSF 3.850" CIP	5	MDT-3PR	Barlein	26"	1:8"	5R	5/8"-24	MX1	± 45.9"	± 37.4"	± 14.3 lb	CDX300-LITE-3PR-26
	300 RUM	LONG	GROUP C (.550")	LRP	3 LUG, 60°	30 (20, 45)	SSSF 3.850" CIP	5	MAG100-0043	Barlein	26"	1:8"	5R	5/8"-24	MX1	± 45.9"	± 37.4"	± 14.3 lb	CDX300-LITE-RUM-26
CDX-33 LITE	300 Norma Mag	LONG	GROUP D (.600")	LRP	3 LUG, 60°	30 (20, 45)	SSSF 3.850" CIP	5	MAG100-0022	Barlein	26"	1:8"	5R	5/8"-24	MX1	± 45.9"	± 37.4"	± 14.3 lb	CDX33-LITE-3NM-26
	300 Norma Mag	LONG	GROUP D (.600")	LRP	3 LUG, 60°	30 (20, 45)	SSSF 3.850" CIP	5	MAG100-0022	Barlein	32"	1:8"	5R	5/8"-24	MX1	± 51.9"	± 43.4"	± 14.9 lb	CDX33-LITE-3NM-32
	338 Lapua Mag	LONG	GROUP D (.600")	LRP	3 LUG, 60°	30 (20, 45)	SSSF 3.850" CIP	5	MAG100-0022	Barlein	27"	1:9½"	5R	3/4"-24	MX1	± 46.9"	± 38.4"	± 14.4 lb	CDX33-LITE-338-27
	338 Lapua Mag	LONG	GROUP D (.600")	LRP	3 LUG, 60°	30 (20, 45)	SSSF 3.850" CIP	5	MAG100-0022	Barlein	32"	1:9½"	5R	3/4"-24	MX1	± 51.9"	± 43.4"	± 14.9 lb	CDX33-LITE-338-32
CDX-30 TAC	6 Creedmoor	LONG	GROUP B (.480")	LRP	3 LUG, 60°	20 (30, 45)	DSSF 3.055"	10	MAG100-0040	Barlein	26"	1:7½"	5R	5/8"-24	MX1	± 46.3"	N/A	± 13.1 lb	CDX30-TAC-6CM-26
	6.5 Creedmoor	LONG	GROUP B (.480")	LRP	3 LUG, 60°	20 (30, 45)	DSSF 3.055"	10	MAG100-0040	Barlein	24"	1:8"	5R	5/8"-24	MX1	± 44.3"	N/A	± 12.9 lb	CDX30-TAC-6.5-24
	6.5 Creedmoor	LONG	GROUP B (.480")	LRP	3 LUG, 60°	20 (30, 45)	DSSF 3.055"	10	MAG100-0040	Barlein	26"	1:8"	5R	5/8"-24	MX1	± 46.3"	N/A	± 13.1 lb	CDX30-TAC-6.5-26
	6.5 PRC	LONG	GROUP C (.550")	LRP	3 LUG, 60°	20 (30, 45)	DSSF 3.055"	7	MAG100-0008	Barlein	24"	1:8"	5R	5/8"-24	MX1	± 44.3"	N/A	± 12.9 lb	CDX30-TAC-6PR-24
	6.5 PRC	LONG	GROUP C (.550")	LRP	3 LUG, 60°	20 (30, 45)	DSSF 3.055"	7	MAG100-0008	Barlein	26"	1:8"	5R	5/8"-24	MX1	± 46.3"	N/A	± 13.1 lb	CDX30-TAC-6PR-26
	308 Win	LONG	GROUP B (.480")	LRP	3 LUG, 60°	20 (30, 45)	DSSF 3.055"	10	MAG100-0040	Barlein	20"	1:11¼" or (1:10")	5R	5/8"-24	MX1	± 40.3"	N/A	± 12.5 lb	CDX30-TAC-308-20
CDX-300 TAC	300 Win Mag	LONG	GROUP C (.550")	LRP	3 LUG, 60°	30 (20, 45)	SSSF 3.715"	5	MAG100-0001	Barlein	26"	1:10"	5R	5/8"-24	MX1	± 46.3"	N/A	± 13.1 lb	CDX300-TAC-300-26
	300 PRC	LONG	GROUP C (.550")	LRP	3 LUG, 60°	30 (20, 45)	SSSF 3.850" CIP	5	MDT-3PR	Barlein	26"	1:8"	5R	5/8"-24	MX1	± 46.3"	N/A	± 13.1 lb	CDX300-TAC-3PR-26
	300 RUM	LONG	GROUP C (.550")	LRP	3 LUG, 60°	30 (20, 45)	SSSF 3.850" CIP	5	MAG100-0043	Barlein	26"	1:8"	5R	5/8"-24	MX1	± 46.3"	N/A	± 13.1 lb	CDX300-TAC-RUM-26
CDX-33 TAC	300 Norma Mag	LONG	GROUP D (.600")	LRP	3 LUG, 60°	30 (20, 45)	SSSF 3.850" CIP	5	MAG100-0022	Barlein	26"	1:8"	5R	5/8"-24	MX1	± 46.3"	N/A	± 13.1 lb	CDX33-TAC-3NM-26
	300 Norma Mag	LONG	GROUP D (.600")	LRP	3 LUG, 60°	30 (20, 45)	SSSF 3.850" CIP	5	MAG100-0022	Barlein	32"	1:8"	5R	5/8"-24	MX1	± 52.3"	N/A	± 13.7 lb	CDX33-TAC-3NM-32
	338 Lapua Mag	LONG	GROUP D (.600")	LRP	3 LUG, 60°	30 (20, 45)	SSSF 3.850" CIP	5	MAG100-0022	Barlein	27"	1:9½"	5R	3/4"-24	MX1	± 47.3"	N/A	± 13.2 lb	CDX33-TAC-338-27
	338 Lapua Mag	LONG	GROUP D (.600")	LRP	3 LUG, 60°	30 (20, 45)	SSSF 3.850" CIP	5	MAG100-0022	Barlein	32"	1:9½"	5R	3/4"-24	MX1	± 52.3"	N/A	± 13.7 lb	CDX33-TAC-338-32
CDX-30 X-LITE	6.5 Creedmoor	SHORT	GROUP B (.480")	LRP	3 LUG, 60°	20	DSSF 3.055"	10	MAG100-0040	Barlein carbon fiber	24"	1:8"	5R	5/8"-24	MX5	± 48.3"	± 38.5"	± 13.2 lb	CDX-30-XL-6.5-24
	6.5 PRC	SHORT	GROUP B (.480")	LRP	3 LUG, 60°	20	DSSF 3.055"	7	MAG100-0008	Barlein carbon fiber	24"	1:8"	5R	5/8"-24	MX5	± 48.3"	± 38.5"	± 13.2 lb	CDX-30-XL-6PR-24
	308 Win	SHORT	GROUP B (.480")	LRP	3 LUG, 60°	20	DSSF 3.055"	10	MAG100-0040	Barlein carbon fiber	24"	1:10"	5R	5/8"-24	MX5	± 48.3"	± 38.5"	± 13.2 lb	CDX-30-XL-308-24
CDX-300 X-LITE	300 PRC	LONG	GROUP C (.550")	LRP	3 LUG, 60°	30	SSSF 3.850" CIP	5	MDT-3PR	Barlein carbon fiber	30"	1:8"	5R	5/8"-24	MX5	± 54.3"	± 44.5"	± 13.5 lb	CDX-300-XL-3PR-30
CDX-33 X-LITE	300 Norma Mag	LONG	GROUP D (.600")	LRP	3 LUG, 60°	30	SSSF 3.850" CIP	5	MAG100-0022	Barlein carbon fiber	30"	1:8"	5R	5/8"-24	MX5	± 54.3"	± 44.5"	± 13.5 lb	CDX-33-XL-3NM-30
	338 Lapua Mag	LONG	GROUP D (.600")	LRP	3 LUG, 60°	30	SSSF 3.850" CIP	5	MAG100-0022	Barlein carbon fiber	30"	1:9½"	5R	3/4"-24	MX5	± 54.3"	± 44.5"	± 13.5 lb	CDX-33-XL-338-30

\*Dimensions do not include the muzzle brake. \*\*Items in red are available on special request.

DISCLAIMER: Too many components are involved to accurately predict the final weight of a rifle. It is impossible to confirm the weight of all our rifle models because it varies depending on each caliber.

# CDX-40/BMG/50/X60 TABLE

MODEL	CALIBER	ACTION LENGTH	BOLT BODY TYPE	PRIMER TYPE	BOLT STYLE	TOP RAIL MOA	MAGAZINE TYPE	MAGAZINE CAPACITY	INCLUDED MAGAZINE	BARREL TYPE	BARREL LENGTH	TWIST RATE	RIFLING TYPE	THREAD PITCH	MUZZLE BRAKE	O.A.L.*	O.A.L. FOLDED*	APPROX. WEIGHT	PART NUMBERS
CDX-40 SHDW	375 EnABELR	XL	GROUP E (.670")	LRP	3 LUG, 60°	40 (20, 60)	Proprietary	7	MAG4309	Barlein	32"	1:7"	5R	7/8"-24	MX1	± 52.8"	± 44.4"	± 19.9 lb	CDX40-DUAL-75E-32
	375 EnABELR	XL	GROUP E (.670")	LRP	3 LUG, 60°	40 (20, 60)	Proprietary	7	MAG4309	Barlein	36"	1:7"	5R	7/8"-24	MX1	± 56.8"	± 48.4"	± 20.3 lb	CDX40-DUAL-75E-36
	375 CT	XL	GROUP E (.670")	LRP	3 LUG, 60°	40 (20, 60)	Proprietary	7	MAG4300	Barlein	29"	1:10" (Military)	5R	7/8"-24	MX1	± 49.8"	± 41.4"	± 19.6 lb	CDX40-DUAL-375-29
	375 CT	XL	GROUP E (.670")	LRP	3 LUG, 60°	40 (20, 60)	Proprietary	7	MAG4300	Barlein	32"	1:7" or (1:10")	5R	7/8"-24	MX1	± 52.8"	± 44.4"	± 19.9 lb	CDX40-DUAL-375-32
	375 CT	XL	GROUP E (.670")	LRP	3 LUG, 60°	40 (20, 60)	Proprietary	7	MAG4300	Barlein	36"	1:7"	5R	7/8"-24	MX1	± 56.8"	± 48.4"	± 20.3 lb	CDX40-DUAL-375-36
	408 CT	XL	GROUP E (.670")	LRP	3 LUG, 60°	40 (20, 60)	Proprietary	7	MAG4300	Barlein	29"	1:13"	8	7/8"-24	MX1	± 49.8"	± 41.4"	± 19.6 lb	CDX40-DUAL-408-29
	408 CT	XL	GROUP E (.670")	LRP	3 LUG, 60°	40 (20, 60)	Proprietary	7	MAG4300	Barlein	32"	1:12"	8	7/8"-24	MX1	± 52.8"	± 44.4"	± 19.9 lb	CDX40-DUAL-408-32
	CDX-40SS SHDW	375 EnABELR	XL	GROUP E (.670")	LRP	3 LUG, 60°	60	Single Shot	0	N/A	Barlein	36"	1:7"	5R	7/8"-24	MX1	± 56.8"	± 48.4"	± 23.8 lb
375 CT		XL	GROUP E (.670")	LRP	3 LUG, 60°	60	Single Shot	0	N/A	Barlein	36"	1:7"	5R	7/8"-24	MX1	± 56.8"	± 48.4"	± 23.8 lb	CDX40SS-DUAL-375-36
CDX-BMG QUAKE	50 BMG	XL	GROUP F (.825")	50 BMG	4 LUG, 50°	20	Proprietary	3	MAG2949-3RD	Cadex	29"	1:15"	8	1"-14 UNS	MX4	± 52.8"	N/A	± 25.5 lb	CDXBMG-QUA-50-29
	416 Barrett®	XL	GROUP F (.825")	50 BMG	4 LUG, 50°	40 (20, 60)	Proprietary	5	MAG416	Barlein	32"	1:9"	5R	1"-14 UNS	MX1	± 54.5"	± 45.4"	± 24.7 lb	CDX50-DUAL-416-32
CDX-50 TREMOR®	416 Barrett®	XL	GROUP F (.825")	50 BMG	4 LUG, 50°	40 (20, 60)	Proprietary	5	MAG416	Barlein	40"	1:9"	5R	1"-14 UNS	MX1	± 62.5"	± 53.4"	± 30.5 lb	CDX50-DUAL-416-40
	50 BMG	XL	GROUP F (.825")	50 BMG	4 LUG, 50°	20 (40, 60)	Proprietary	5	MAG2949	Barlein	20.6"	1:15"	8	1"-14 UNS	MX1	± 43.1"	± 34.0"	± 22.7 lb	CDX50-DUAL-50-206
	50 BMG	XL	GROUP F (.825")	50 BMG	4 LUG, 50°	40 (20, 60)	Proprietary	5	MAG2949	Barlein	29"	1:15"	8	1"-14 UNS	MX1	± 51.5"	± 42.4"	± 24.4 lb	CDX50-DUAL-50-29
	50 BMG	XL	GROUP F (.825")	50 BMG	4 LUG, 50°	40 (20, 60)	Proprietary	5	MAG2949	Barlein	32"	1:15"	8	1"-14 UNS	MX1	± 54.5"	± 45.4"	± 24.7 lb	CDX50-DUAL-50-32
CDX-50SS TREMOR®	416 Barrett®	XL	GROUP F (.825")	50 BMG	4 LUG, 50°	60	Single Shot	0	N/A	Barlein	40"	1:9"	5R	1"-14 UNS	MX1	± 62.5"	± 53.4"	± 30.5 lb	CDX50SS-DUAL-416-40
	12.7x114mm UA	XL	GROUP G (1.082")	50 BMG	4 LUG, 50°	40 (20)	Proprietary	4	MAG127	Barlein	36"	1:13"	8	1"-14 UNS	MX3-ST	± 60.5"	± 50.5"	± 43.0 lb	CDXX60-XTRM-127-36
	12.7x114mm UA	XL	GROUP G (1.082")	50 BMG	4 LUG, 50°	40 (20)	Proprietary	4	MAG127	Barlein	40"	1:13"	8	1"-14 UNS	MX3-ST	± 64.5"	± 54.5"	± 45.0 lb	CDXX60-XTRM-127-40
CDX-X60	14.5x114mm	XL	GROUP G (1.082")	50 BMG	4 LUG, 50°	40 (20)	Proprietary	4	MAG145	Barlein	40"	1:14"	8	1½"-16	MX3-ST	± 64.5"	± 54		

# CDX-R7 CRBN/SPTR/XS TABLE

## REM 700 CLONE

MODEL	CALIBER	ACTION LENGTH	BOLT BODY TYPE	PRIMER TYPE	BOLT STYLE	TOP RAIL MOA	MAGAZINE TYPE	MAGAZINE CAPACITY	INCLUDED MAGAZINE	BARREL TYPE	BARREL LENGTH	TWIST RATE	RIFLING TYPE	THREAD PITCH	MUZZLE BRAKE	O.A.L.*	O.A.L. FOLDED*	APPROX. WEIGHT	PART NUMBERS
CDX-R7 CRBN	6.5 Creedmoor	SHORT	GROUP B (.480")	LRP	4 LUG, 50°	0 (20, 30)	DSSF 3.055"	5	MAG100-0041	Bartlein carbon fiber	24"	1:8"	5R	5/8"-24	HUNTING	± 44"	N/A	± 8.1 lb	CDXR7-CRBN-6.5-24
	6.5 PRC	SHORT	GROUP C (.550")	LRP	4 LUG, 50°	0 (20, 30)	DSSF 3.055"	3	MAG100-0006	Bartlein carbon fiber	24"	1:8"	5R	5/8"-24	HUNTING	± 44"	N/A	± 8.1 lb	CDXR7-CRBN-6PR-24
	308 Win	SHORT	GROUP B (.480")	LRP	4 LUG, 50°	0 (20, 30)	DSSF 3.055"	5	MAG100-0041	Bartlein carbon fiber	24"	1:10"	5R	5/8"-24	HUNTING	± 44"	N/A	± 8.1 lb	CDXR7-CRBN-308-24
	270 WSM	SHORT	GROUP C (.550")	LRP	4 LUG, 50°	0 (20, 30)	DSSF 3.055"	3	MAG100-0006	Bartlein carbon fiber	24"	1:9"	5R	5/8"-24	HUNTING	± 44"	N/A	± 8.1 lb	CDXR7-CRBN-05M-24
	300 WSM	SHORT	GROUP C (.550")	LRP	4 LUG, 50°	0 (20, 30)	DSSF 3.055"	3	MAG100-0006	Bartlein carbon fiber	24"	1:10"	5R	5/8"-24	HUNTING	± 44"	N/A	± 8.1 lb	CDXR7-CRBN-35M-24
	270 Win	LONG	GROUP B (.480")	LRP	4 LUG, 50°	0 (20, 30)	SSSF 3.715"	5	MAG100-0039	Bartlein carbon fiber	24"	1:9"	5R	5/8"-24	HUNTING	± 44.9"	N/A	± 8.2 lb	CDXR7-CRBN-270-24
	7 PRC	LONG	GROUP C (.550")	LRP	4 LUG, 50°	0 (20, 30)	SSSF 3.850" CIP	5	MDT-3PR	Bartlein carbon fiber	24"	1:8"	5R	5/8"-24	HUNTING	± 44.9"	N/A	± 8.2 lb	CDXR7-CRBN-7PR-24
	28 Nosler	LONG	GROUP C (.550")	LRP	4 LUG, 50°	0 (20, 30)	SSSF 3.850" CIP	5	MDT-3PR	Bartlein carbon fiber	26"	1:9"	5R	5/8"-24	HUNTING	± 46.9"	N/A	± 8.4 lb	CDXR7-CRBN-28N-26
	300 Win Mag	LONG	GROUP C (.550")	LRP	4 LUG, 50°	0 (20, 30)	SSSF 3.715"	5	MAG100-0001	Bartlein carbon fiber	26"	1:10"	5R	5/8"-24	HUNTING	± 46.9"	N/A	± 8.4 lb	CDXR7-CRBN-300-26
	300 PRC	LONG	GROUP C (.550")	LRP	4 LUG, 50°	0 (20, 30)	SSSF 3.850" CIP	5	MDT-3PR	Bartlein carbon fiber	26"	1:8"	5R	5/8"-24	HUNTING	± 46.9"	N/A	± 8.4 lb	CDXR7-CRBN-3PR-26
	300 RUM	LONG	GROUP C (.550")	LRP	4 LUG, 50°	0 (20, 30)	SSSF 3.850" CIP	5	MAG100-0043	Bartlein carbon fiber	26"	1:8"	5R	5/8"-24	HUNTING	± 46.9"	N/A	± 8.4 lb	CDXR7-CRBN-RUM-26
	338 Lapua Mag	LONG	GROUP D (.600")	LRP	4 LUG, 50°	0 (20, 30)	SSSF 3.850" CIP	5	MAG100-0022	Bartlein carbon fiber	26"	1:9½"	5R	5/8"-24	HUNTING	± 46.9"	N/A	± 8.4 lb	CDXR7-CRBN-338-26
	CDX-R7 SPTR	6.5 Creedmoor	SHORT	GROUP B (.480")	LRP	4 LUG, 50°	0 (20, 30)	DSSF 3.055"	5	MAG100-0041	Cadex	24"	1:8"	5R	5/8"-24	HUNTING	± 44"	N/A	± 8.1 lb
6.5 PRC		SHORT	GROUP C (.550")	LRP	4 LUG, 50°	0 (20, 30)	DSSF 3.055"	3	MAG100-0006	Cadex	24"	1:8"	5R	5/8"-24	HUNTING	± 44"	N/A	± 8.1 lb	CDXR7-SPTR-6PR-24
308 Win		SHORT	GROUP B (.480")	LRP	4 LUG, 50°	0 (20, 30)	DSSF 3.055"	5	MAG100-0041	Cadex	20"	1:10"	5R	5/8"-24	HUNTING	± 40"	N/A	± 7.7 lb	CDXR7-SPTR-308-20 (compact)
308 Win		SHORT	GROUP B (.480")	LRP	4 LUG, 50°	0 (20, 30)	DSSF 3.055"	5	MAG100-0041	Cadex	24"	1:10"	5R	5/8"-24	HUNTING	± 44"	N/A	± 8.1 lb	CDXR7-SPTR-308-24
270 WSM		SHORT	GROUP C (.550")	LRP	4 LUG, 50°	0 (20, 30)	DSSF 3.055"	3	MAG100-0006	Bartlein only	24"	1:9"	5R	5/8"-24	HUNTING	± 44"	N/A	± 8.1 lb	CDXR7-SPTR-05M-24
300 WSM		SHORT	GROUP C (.550")	LRP	4 LUG, 50°	0 (20, 30)	DSSF 3.055"	3	MAG100-0006	Cadex	24"	1:10"	5R	5/8"-24	HUNTING	± 44"	N/A	± 8.1 lb	CDXR7-SPTR-35M-24
270 Win		LONG	GROUP B (.480")	LRP	4 LUG, 50°	0 (20, 30)	SSSF 3.715"	5	MAG100-0039	Bartlein only	24"	1:9"	5R	5/8"-24	HUNTING	± 44.9"	N/A	± 8.2 lb	CDXR7-SPTR-270-24
7 PRC		LONG	GROUP C (.550")	LRP	4 LUG, 50°	0 (20, 30)	SSSF 3.850" CIP	5	MDT-3PR	Bartlein only	24"	1:8"	5R	5/8"-24	HUNTING	± 44.9"	N/A	± 8.2 lb	CDXR7-SPTR-7PR-24
30-06 SPRG		LONG	GROUP B (.480")	LRP	4 LUG, 50°	0 (20, 30)	SSSF 3.715"	5	MAG100-0039	Cadex	24"	1:10"	5R	5/8"-24	HUNTING	± 44.9"	N/A	± 8.2 lb	CDXR7-SPTR-006-24
28 Nosler		LONG	GROUP C (.550")	LRP	4 LUG, 50°	0 (20, 30)	SSSF 3.850" CIP	5	MDT-3PR	Bartlein only	26"	1:9" or (1:8")	5R	5/8"-24	HUNTING	± 46.9"	N/A	± 8.4 lb	CDXR7-SPTR-28N-26
300 Win Mag		LONG	GROUP C (.550")	LRP	4 LUG, 50°	0 (20, 30)	SSSF 3.715"	5	MAG100-0001	Cadex	26"	1:10"	5R	5/8"-24	HUNTING	± 46.9"	N/A	± 8.4 lb	CDXR7-SPTR-300-26
300 PRC		LONG	GROUP C (.550")	LRP	4 LUG, 50°	0 (20, 30)	SSSF 3.850" CIP	5	MDT-3PR	Bartlein only	26"	1:8"	5R	5/8"-24	HUNTING	± 46.9"	N/A	± 8.4 lb	CDXR7-SPTR-3PR-26
300 RUM		LONG	GROUP C (.550")	LRP	4 LUG, 50°	0 (20, 30)	SSSF 3.850" CIP	5	MAG100-0043	Bartlein only	26"	1:8"	5R	5/8"-24	HUNTING	± 46.9"	N/A	± 8.4 lb	CDXR7-SPTR-RUM-26
338 Lapua Mag	LONG	GROUP D (.600")	LRP	4 LUG, 50°	0 (20, 30)	SSSF 3.850" CIP	5	MAG100-0022	Cadex	26"	1:9½"	5R	5/8"-24	HUNTING	± 46.9"	N/A	± 8.4 lb	CDXR7-SPTR-338-26	
CDX-R7 XS	6.5 Creedmoor	SHORT	GROUP B (.480")	LRP	4 LUG, 50°	20	DSSF 3.055"	10	MAG100-0040	Bartlein	26"	1:8"	5R	5/8"-24	MX1	± 45.5"	± 36.5"	± 13.7 lb	CDXR7-XS-6.5-26
	6.5 PRC	SHORT	GROUP C (.550")	LRP	4 LUG, 50°	20	DSSF 3.055"	7	MAG100-0008	Bartlein	26"	1:8"	5R	5/8"-24	MX1	± 45.5"	± 36.5"	± 13.7 lb	CDXR7-XS-6PR-26
	308 Win	SHORT	GROUP B (.480")	LRP	4 LUG, 50°	20	DSSF 3.055"	10	MAG100-0040	Bartlein	26"	1:10"	5R	5/8"-24	MX1	± 45.5"	± 36.5"	± 13.7 lb	CDXR7-XS-308-26
	7 PRC	LONG	GROUP C (.550")	LRP	4 LUG, 50°	20	SSSF 3.850" CIP	5	MDT-3PR	Bartlein	26"	1:8"	5R	5/8"-24	MX1	± 46.3"	± 37.3"	± 14 lb	CDXR7-XS-7PR-26
	300 Win Mag	LONG	GROUP C (.550")	LRP	4 LUG, 50°	20	SSSF 3.715"	5	MAG100-0001	Bartlein	26"	1:10"	5R	5/8"-24	MX1	± 46.3"	± 37.3"	± 14 lb	CDXR7-XS-300-26
	300 PRC	LONG	GROUP C (.550")	LRP	4 LUG, 50°	20	SSSF 3.850" CIP	5	MDT-3PR	Bartlein	26"	1:8"	5R	5/8"-24	MX1	± 46.3"	± 37.3"	± 14 lb	CDXR7-XS-3PR-26
	300 Norma Mag	LONG	GROUP D (.600")	LRP	4 LUG, 50°	20	SSSF 3.850" CIP	5	MAG100-0022	Bartlein	26"	1:8"	5R	5/8"-24	MX1	± 46.3"	± 37.3"	± 14 lb	CDXR7-XS-3NM-26
	338 Lapua Mag	LONG	GROUP D (.600")	LRP	4 LUG, 50°	20	SSSF 3.850" CIP	5	MAG100-0022	Bartlein	27"	1:9½"	5R	3/4"-24	MX1	± 47.3"	± 38.3"	± 14 lb	CDXR7-XS-338-27

\*Dimensions do not include the muzzle brake. \*\*Items in red are available on special request.

DISCLAIMER: Too many components are involved to accurately predict the final weight of a rifle. It is impossible to confirm the weight of all our rifle models because it varies depending on each caliber.

# CDX-R7 SHP/LCP/FCP TABLE

## REM 700 CLONE

MODEL	CALIBER	ACTION LENGTH	BOLT BODY TYPE	PRIMER TYPE	BOLT STYLE	TOP RAIL MOA	MAGAZINE TYPE	MAGAZINE CAPACITY	INCLUDED MAGAZINE	BARREL TYPE	BARREL LENGTH	TWIST RATE	RIFLING TYPE	THREAD PITCH	MUZZLE BRAKE	O.A.L.*	O.A.L. FOLDED*	APPROX. WEIGHT	PART NUMBERS
CDX-R7 SHP	6 Creedmoor	SHORT	GROUP B (.480")	LRP	4 LUG, 50°	20 (0, 30)	DSSF 3.055"	10	MAG100-0040	Bartlein	26"	1:7½"	5R	5/8"-24	MX2-ST	± 45.9"	N/A	± 13.0 lb	CDXR7-SDOG-6CM-26
	6.5 Creedmoor	SHORT	GROUP B (.480")	LRP	4 LUG, 50°	20 (0, 30)	DSSF 3.055"	10	MAG100-0040	Cadex	16.5"	1:8"	5R	5/8"-24	MX2-ST	± 36.4"	N/A	± 11.2 lb	CDXR7-SDOG-6.5-165
	6.5 Creedmoor	SHORT	GROUP B (.480")	LRP	4 LUG, 50°	20 (0, 30)	DSSF 3.055"	10	MAG100-0040	Cadex	20"	1:8"	5R	5/8"-24	MX2-ST	± 39.9"	N/A	± 11.7 lb	CDXR7-SDOG-6.5-20
	6.5 Creedmoor	SHORT	GROUP B (.480")	LRP	4 LUG, 50°	20 (0, 30)	DSSF 3.055"	10	MAG100-0040	Cadex	24"	1:8"	5R	5/8"-24	MX2-ST	± 43.9"	N/A	± 13.0 lb	CDXR7-SDOG-6.5-24
	6.5 Creedmoor	SHORT	GROUP B (.480")	LRP	4 LUG, 50°	20 (0, 30)	DSSF 3.055"	10	MAG100-0040	Cadex	26"	1:8"	5R	5/8"-24	MX2-ST	± 45.9"	N/A	± 13.0 lb	CDXR7-SDOG-6.5-26
	6.5 PRC	SHORT	GROUP C (.550")	LRP	4 LUG, 50°	20 (0, 30)	DSSF 3.055"	7	MAG100-0008	Cadex	24"	1:8"	5R	5/8"-24	MX2-ST	± 43.9"	N/A	± 13.0 lb	CDXR7-SDOG-6PR-24
	6.5 PRC	SHORT	GROUP C (.550")	LRP	4 LUG, 50°	20 (0, 30)	DSSF 3.055"	7	MAG100-0008	Cadex	26"	1:8"	5R	5/8"-24	MX2-ST	± 45.9"	N/A	± 13.0 lb	CDXR7-SDOG-6PR-26
	308 Win	SHORT	GROUP B (.480")	LRP	4 LUG, 50°	20 (0, 30)	DSSF 3.055"	10	MAG100-0040	Cadex	16.5"	1:10"	5R	5/8"-24	MX2-ST	± 36.4"	N/A	± 11.2 lb	CDXR7-SDOG-308-165
	308 Win	SHORT	GROUP B (.480")	LRP	4 LUG, 50°	20 (0, 30)	DSSF 3.055"	10	MAG100-0040	Cadex	20"	1:11¼" or (1:10")	5R	5/8"-24	MX2-ST	± 39.9"	N/A	± 11.7 lb	CDXR7-SDOG-308-20
	308 Win	SHORT	GROUP B (.480")	LRP	4 LUG, 50°	20 (0, 30)	DSSF 3.055"	10	MAG100-0040	Cadex	24"	1:11¼" or (1:10")	5R	5/8"-24	MX2-ST	± 43.9"	N/A	± 13.0 lb	CDXR7-SDOG-308-24
	308 Win	SHORT	GROUP B (.480")	LRP	4 LUG, 50°	20 (0, 30)	DSSF 3.055"	10	MAG100-0040	Cadex	26"	1:11¼" or (1:10")	5R	5/8"-24	MX2-ST	± 45.9"	N/A	± 13.0 lb	CDXR7-SDOG-308-26
	300 WSM	SHORT	GROUP C (.550")	LRP	4 LUG, 50°	20 (0, 30)	DSSF 3.055"	7	MAG100-0008	Cadex	24"	1:10	5R	5/8"-24	MX2-ST	± 43.9"	N/A	± 13.0 lb	CDXR7-SDOG-35M-24
	7 PRC	LONG	GROUP C (.550")	LRP	4 LUG, 50°	30 (0, 20)	SSSF 3.850" CIP	5	MDT-3PR	Bartlein	26"	1:8"	5R	5/8"-24	MX2-ST	± 46.5"	N/A	± 13.5 lb	CDXR7-SHPD-7PR-26
300 Win Mag	LONG	GROUP C (.550")	LRP	4 LUG, 50°	30 (0, 20)	SSSF 3.715"	5	MAG100-0001	Bartlein	26"	1:10"	5R	5/8"-24	MX2-ST	± 46.5"	N/A	± 13.5 lb	CDXR7-SHPD-300-26	
300 PRC	LONG	GROUP C (.550")	LRP	4 LUG, 50°	30 (0, 20)	SSSF 3.850" CIP	5	MDT-3PR	Bartlein	26"	1:8"	5R	5/8"-24	MX2-ST	± 46.5"	N/A	± 13.5 lb	CDXR7-SHPD-3PR-26	
300 Norma Mag	LONG	GROUP D (.600")	LRP	4 LUG, 50°	30 (0, 20)	SSSF 3.850" CIP	5	MAG100-0022	Bartlein	26"	1:8"	5R	5/8"-24	MX2-ST	± 46.5"	N/A	± 13.5 lb	CDXR7-SHPD-3NM-26	
338 Lapua Mag	LONG	GROUP D (.600")	LRP	4 LUG, 50°	30 (0, 20)	SSSF 3.850" CIP	5	MAG100-0022	Cadex	27"	1:9½"	5R	3/4"-24	MX2-ST	± 47.5"	N/A	± 13.5 lb	CDXR7-SHPD-338-27	
CDX-R7 LCP	6 Creedmoor	SHORT	GROUP B (.480")	LRP	4 LUG, 50°	20 (0, 30)	DSSF 3.055"	10	MAG100-0040	Bartlein	26"	1:7½"	5R	5/8"-24	MX1	± 45.0"	± 36.5"	± 13.6 lb	CDXR7-LCP-6CM-26
	6.5 Creedmoor	SHORT	GROUP B (.480")	LRP	4 LUG, 50°	20 (0, 30)	DSSF 3.055"	10	MAG100-0040	Bartlein	24"	1:8"	5R	5/8"-24	MX1	± 43.0"	± 34.5"	± 13.4 lb	CDXR7-LCP-6.5-24
	6.5 Creedmoor	SHORT	GROUP B (.480")	LRP	4 LUG, 50°	20 (0, 30)	DSSF 3.055"	10	MAG100-0040	Bartlein	26"	1:8"							

# CADEX R&D SOLUTIONS



## + EXPERTISE

Cadex has worked with both conventional military and Special Forces, successfully delivering our products to a broad range of customers worldwide. Cadex works with its customers in a team approach to identify the mission requirements in order to meet their specific needs.

## + INNOVATION

Cadex's design and manufacturing team ensures the customer has access to leading edge technology.

## + DESIGN

When creating the design, Cadex's R&D department works seamlessly with the production department to ensure the manufactured item meets the customer's requirements no matter the complexity.

## + SOLUTION

Cadex's R&D department's initial design is quickly turned into a prototype for customer evaluation. Cadex can use its 3D printing, molding and machining capabilities to produce a broad range of prototypes.

## + MANUFACTURE

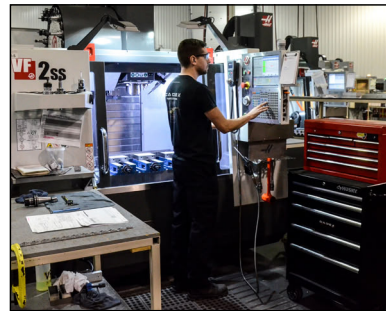
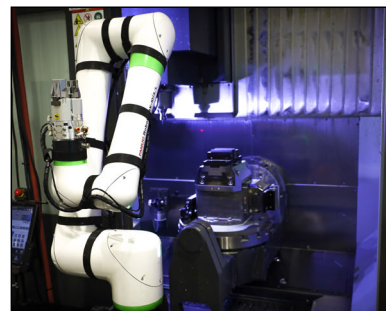
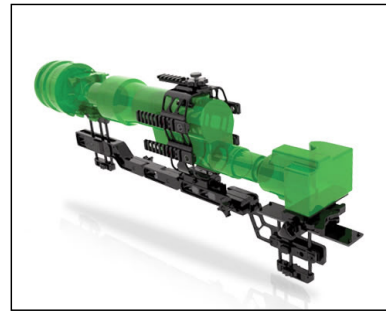
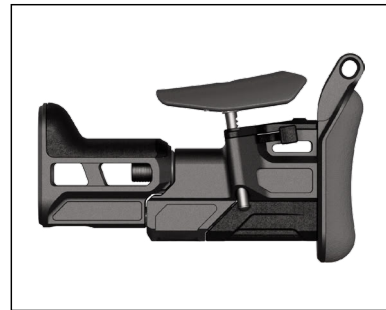
Cadex can call upon its in-house capabilities to produce a broad range of products. This includes weapon components, tactical breaching equipment, gun stocks, recoil management systems and precision mounts for electro-optic systems.

## + DELIVERY

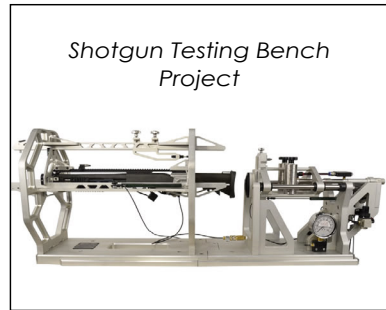
Cadex provides the edge needed when you need it most. Our equipment is in service worldwide.

## + SUPPORT

With Cadex every product comes complete with knowledgeable customer support. Our quick and efficient staff is known worldwide for its legendary quality of service as well as its uncompromising discretion.



Shotgun Testing Bench Project



# PROMOTIONAL MATERIALS

## CADEX T-SHIRTS - Part#: 8001-(size)

- High quality black t-shirt
- 50% Cotton / 50% Polyester
- Also available for women, 100% Cotton Part#: 8002-(size)



## CADEX PROUD SUPPORTER T-SHIRTS - Part#: 8003-(size)

- Perfect for PRS competition
- 100% Polyester
- Also available for women Part#: 8004-(size)



## CADEX CAP - Part#: 8101-OS

Black cap with embroidered "Team Cadex Defence" on the front and "Extreme Range Supremacy" on the back.



## CADEX TRUCKER CAP - Part#: 8102-OS

Black trucker mesh cap with embroidered "Team Cadex Defence" on the front.

This low profile cap delivers a more tailored shape, while an adjustable snapback for the perfect fit.



## CADEX HOODIE - Part#: 8005-(size)

- High quality black hoodie
- 50% Cotton / 50% Polyester



# PROMOTIONAL MATERIALS

## CHAMBER FLAG - Part#: 610-00053-FLG

- Bright orange color with Cadex logo on both sides
- Large bore reinforced



## CADEX COLLECTIBLE CAR PLATE - Part#: 610-00052-CAR

Embossed with premium protective glossy coating - 12" x 6"



## CADEX BANNERS - LARGE OR SMALL

- Heavy duty fabric banners
- Grommets all around
- Large - 60" x 40" (Part#: BANNER-60-40-A)
- Small - 24" x 16" (Part#: BANNER-24-16-A)



## CADEX BANNERS - EXTRA LARGE 20'

- Heavy duty fabric banners
- Grommets all around
- 240" x 60" (20' long)



Part#: BANNER-240-60-A



Part#: BANNER-240-60-B



Part#: BANNER-240-60-C

# PROMOTIONAL MATERIALS

## PVC PATCHES

WHILE SUPPLIES LAST



Part#: PATCH-001



Part#: PATCH-002



Part#: PATCH-003



Part#: PATCH-006



Part#: PATCH-004



Part#: PATCH-005

## CADEX CAR AIR FRESHENER - Part#: 610-00059-CAF

- BLACK ICE:** A mysteriously enticing cologne with notes of citrus and cedar wood
- Cadex print on both sides
- Shelf life: - 30 days/open - 2 years/sealed



## MOUSE PAD - Part#: MPAD-DEF

- 9.25" x 7.75"
- 3mm thickness
- Non-slip textured rubber base
- Stain-resistant and easy to clean
- Waterproof and humidity-resistant



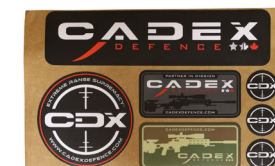
## CADEX REAR WINDOW DECALS - Part#: 610-00062-TWS

- 1x Cadex: 18.5" x 3.6"
- 1x Extreme Range Supremacy: 35" x 1.4"
- High Tack adhesive
- Gloss lamination
- UV protection



## CADEX STICKER SHEET - Part#: 610-00043-CAD

High Tack adhesive with mat lamination for UV protection



## CADEX RIFLE CLEANING MATS

- 48" x 14"
- 5mm thickness
- Non-slip textured rubber base
- Stain-resistant and easy to clean
- Waterproof and humidity-resistant



Part#: CLEAN-MAT-B

## CADEX KEY TAG - Part#: KEYTAG-CDX

Black woven key tag with Cadex logo embroidery on both sides - 5" x 1"



## REUSABLE BAG - Part#: 610-00044-BLK

- Non-woven fabric (100g)
- Rated max 30 lb (14 kg)



Dimensions:  
13" x 3.5" x 14.5"  
33 x 9 x 36 cm





**Serge Dextraze**  
President/CEO

**Message from the president**

*"For over 30 years, Cadex has designed and manufactured an extensive line of high quality and premium products for Special Operations, Military, Law Enforcement and Civilians across the globe. In each field of operation, we bring to you a team of specialized and dedicated professionals. Ready to guide you forward and best supporting your multiple mission requirements. We would like to thank our long standing customer base for their ongoing trust and support."*

If you appreciate Cadex products, please take a minute to let us know at [customerservice@cadexinc.com](mailto:customerservice@cadexinc.com)

Follow us!



\*\*In case of disparity between the catalog and the website, the information presented on the website has priority\*\*



**Patrice Picard**  
Vice President  
Sales & Marketing  
Canada Office: 1-888-348-6774  
Cell: 514-821-7983  
[patrice@cadexinc.com](mailto:patrice@cadexinc.com)



**Robert Pettorsson**  
USA  
USA Sales and Marketing Manager  
Satellite Office: Phoenix  
Cell: 623-810-6591  
[robert.p@cadexinc.com](mailto:robert.p@cadexinc.com)



**Jamie Barkwell**  
Canada/USA  
Sales Representative  
Canada Office: 450-348-6774  
Cell: 514-863-0910  
[customerservice@cadexinc.com](mailto:customerservice@cadexinc.com)



**Mark Gendreau**  
Canada/International  
Sales Representative  
Canada Office: 450-348-6774  
Cell: 514-820-7981  
[customerservice@cadexinc.com](mailto:customerservice@cadexinc.com)



**Antoine Charbonneau**  
Canada/USA  
Customer Service Representative  
Canada Office: 450-348-6774  
[customerservice@cadexinc.com](mailto:customerservice@cadexinc.com)

CUSTOMERS' PICTURES

Do not hesitate to send us pictures of your builds at [marketing@cadexinc.com](mailto:marketing@cadexinc.com) so that we can showcase them on our website and social media! And thanks a lot to those who already did!



**EXTREME RANGE SUPREMACY®**



**CADEX DEFENCE**

755 ave. Montrichard,  
Saint-Jean-sur-Richelieu, QC, Canada J2X 5K8  
Tel: 450-348-6774 • Fax: 450-348-7157  
Toll free: 1 888 348-6774

**CADEX DEFENSE CORP**

107 Robin Hood Dr,  
Swanton, VT 05488, United States  
Tel: 802-466-4003 • Fax: 450-348-7157  
Toll free: 1 888 348-6774

**WWW.CADEXDEFENCE.COM**



[WWW.CADEXDEFENCE.COM](http://WWW.CADEXDEFENCE.COM)