

PRECISION RIFLE
USER MANUAL

CEEDX
CRBN/SPTR





Important usage information for:

Rev. 1.5 - 20220112

CDX-R7 CRBN/SPTR

If you have any remark about your new Cadex firearm, please contact us:

Cadex Inc.
755 avenue Montrichard, Saint-Jean-sur-Richelieu
Quebec, Canada J2X 5K8
Phone: 450-348-6774
www.cadexdefence.com

Please use the following spaces to record information about your new firearm.

Model: _____

Serial number: _____

Bought from: _____

Purchase date: _____

Thank you for choosing a Cadex CDX Precision Rifle

Congratulations on your purchase of a Cadex CDX-R7 CRBN/SPTR. The CDX Precision Rifle is one of the most accurate, sophisticated and most finely constructed bolt-action rifles available today. The CDX Precision Rifle represents a new generation of bolt-action rifles, designed with improved features for superior performance. With proper care, your CDX Precision Rifle will give you many years of dependable, enjoyable service.

YOU ARE RESPONSIBLE FOR FIREARM SAFETY

Failure to heed any of the following warnings could result in serious injury or death. As a gun owner, you accept a set of demanding responsibilities. How seriously you take these responsibilities can be the difference between life and death. There is no excuse for careless or abusive handling of any firearm. At all times handle this firearm, and all other firearms, with intense respect for their power and potential danger. Please read and understand all of the cautions, warnings, notices, proper handling procedures and instructions outlined in this user manual before using your new chassis.

For best results, we recommend that you use match grade ammunition. Your firearm was factory tested using match grade ammunition to insure that your rifle met our stringent quality control.

This document contains information that is proprietary to Cadex Inc. Neither this document nor the information contained herein shall be used, duplicated or communicated by any means to any third party, in whole or in part, except with the prior written consent of Cadex Inc. This restrictive legend shall not be altered or obliterated from this document.

Contents (1/2)

1.	THE ELEVEN RULES OF FIREARM SAFETY	7
1.1.	Always keep the muzzle of your firearm pointed in a safe direction even though you are certain it is unloaded	7
1.2.	Firearms should be unloaded when not actually in use.....	7
1.3.	Never rely on your firearm’s safety	8
1.4.	Use proper ammunition	8
1.5.	Learn the mechanics and handling characteristics of your firearm	10
1.6.	Always wear eye and ear protection when shooting	10
1.7.	Be sure the barrel is clear of obstructions before shooting	11
1.8.	Be sure of your target and what’s beyond it	11
1.9.	If your rifle fails to fire when the trigger is pulled, handle with care	11
1.10.	Never alter or modify your firearm and have it serviced regularly	12
1.11.	Teach and supervise firearms safety to all members of your family	12
2.	RIFLE FEATURES	14
2.1.	CRBN/SPTR configuration	14
2.2.	Caliber designation	15
3.	IMPORTANT PARTS OF THE FIREARM	16
3.1.	The safety mechanism	16
3.2.	The bolt assembly	17
A.	To install bolt assembly.....	17
B.	To remove bolt assembly.....	17
C.	Disassembling the bolt assembly	18
D.	Removing the firing pin assembly.....	18
E.	Reassembling the firing pin assembly	18
3.3.	The trigger assembly	19
A.	Trigger pull weight adjustment.....	19
B.	Trigger lever position adjustment	20
C.	Single stage vs double stage conversion	21
D.	Trigger cleaning and maintenance	21
3.4.	The barrel	22
A.	New firearm break-in procedure	22
B.	To check the inside of the barrel.....	22
C.	To remove object from inside the barrel	22
D.	To clean the barrel	22
3.5.	The hunting muzzle brake	23
3.6.	Chassis description	23
3.7.	Stock adjustments	24
A.	Changing the barrel cover (optional)	24
B.	Add a new bipod stud location (optional).....	26

Contents (2/2)

3.8.	Disassembly of the firearm.....	27
A.	Removal of action from the chassis.....	27
3.9.	Chassis installation.....	28
A.	Installation of the rifle barreled action into the chassis frame.....	28
4.	LOADING / UNLOADING OF THE FIREARM	31
4.1.	Loading.....	31
4.2.	Unloading.....	31
5.	CLEANING AND MAINTENANCE	31
5.1.	Lubrication.....	31
5.2.	Barrel cleaning.....	32
5.3.	Receiver and trigger assembly cleaning.....	32
5.4.	Bolt assembly cleaning.....	33
5.5.	Chassis cleaning and maintenance.....	33
5.6.	Threadlocker application procedure.....	34
6.	TECHNICAL AND WARRANTY SUPPORT	34
7.	APPENDIX A - SPARE PARTS	36
7.1.	Chassis spare parts.....	36
7.2.	Firearm spare parts.....	38
8.	APPENDIX B - RECOMMENDED TORQUE SETTING	39

YOU ARE RESPONSIBLE FOR FIREARM SAFETY!

Failure to heed any of the following warnings could result in serious injury or death. As a firearms owner, you accept a set of demanding responsibilities.

How seriously you take these responsibilities can mean the difference between life and death. There is no excuse for careless or abusive handling of any firearm.

Always handle this firearm, and all other firearms, with extreme care and caution.

Please read and understand all of the cautions, warnings, notices, proper handling procedures and instructions outlined in this user manual before using your new firearm.

Once fired, a bullet cannot be brought back. It is critical that you understand and apply safe firearm handling and storage practices at all times, including during the unpacking of your new Cadex rifle.

WARNING!



Any complete disassembly or modification of the chassis butt stock internals and folding stock mechanism by the customer will void the warranty.

Any modifications and/or disassembly of the firearm and/or chassis other than those described in this manual will void the warranty.

This Cadex firearm, chassis and all components have been installed and fine tuned to its optimum fit and finish by a factory certified Cadex firearms technician.

If you experience any problem with your chassis and/or firearm other than standard care and maintenance practices please contact our customer service immediately at 1-450-348-6774.

1. THE ELEVEN RULES OF FIREARM SAFETY

1.1. Always keep the muzzle of your firearm pointed in a safe direction even though you are certain it is unloaded

This is the most important firearm safety rule. A safe direction is one in which an accidental discharge will not cause injury to yourself or others. Never allow your firearm to point at anything you don't intend to shoot. Be especially careful when you're loading or unloading. Treat every rifle as if it were loaded. And make it a habit to know where the muzzle is pointed at all times, even when your firearm is unloaded. No one will be injured by an accidental discharge if you keep your firearm pointed in a safe direction. Be extremely alert and aware of all persons and property within the range of your ammunition.

1.2. Firearms should be unloaded when not actually in use

Load your firearm only when you're in the field or on the target range and ready to fire. Never let a loaded firearms out of your sight or out of your hands. Unload it as soon as you're finished shooting. Always unload the firearm before you bring it into your car, camp or home. Remember, unloading your firearm means unloading it completely, so there is no ammunition in the chamber or in the magazine. Before handling a firearm or passing it to someone else, visually check the chamber, receiver and magazine to be certain they do not contain ammunition and leave the action opened. Always keep the rifle's action open when not in use. Never assume a firearm is unloaded even if you were the last person to use it. Always check for yourself. Do not dry fire the firearm on an empty chamber; the chamber may not be empty! Treat every firearm as if it were loaded. Always double check that the chamber and magazine are clear and empty of all ammunition.

Let common sense rule when carrying a loaded firearm. If you're in a situation that could risk accidental discharge – such as crossing a fence, wading through a stream or climbing a tree – always unload your rifle. Never pull or push a loaded firearm toward yourself or another person. Never carry a loaded firearm in a scabbard, detached holster or gun case. Certain firearms are equipped with internal security devices to prevent unauthorized use. In addition, some firearms owners use external devices, such as cable locks and trigger blocks, for the same purpose. Even if you use such a device, you should still keep your firearm unloaded when stored or not in use. Using internal or external devices cannot substitute, however, for securing your firearms and ammunition in a separate, locked location. Always respect local Firearms Storage Laws and legislation.

Safe storage of firearms is just as critical as safe handling. Never store firearms loaded. Be sure to keep your firearms in a secure place where unauthorized persons cannot get their hands on them without your knowledge.

Take special care if there are children around. Store your firearm and ammunition separately, well beyond the reach of children. Take prudent safeguards to ensure your firearm does not become available to untrained, inexperienced or unwelcome hands. Children are fascinated by firearms. It's a natural curiosity that can have tragic consequences when not properly supervised. Store all firearms in a secure, locked case or gun safe. Keep your firearm unloaded when not in use.

1.3. Never rely on your firearm's safety

Treat every firearm as if it can fire at any time, whether or not there's pressure on the trigger. Your firearm has been carefully designed to maximize performance and safety; however, because a rifle's safety is a mechanical device, it could fail. Never rely on your firearm's safety because it can be jammed or inadvertently manipulated into an unsafe condition. Dropping or jarring a loaded firearm can cause accidental discharge. This can occur even with the "safety" in the "safe" position. Be extremely careful while hunting or during any shooting activity to avoid dropping any firearm.

Human error is a more likely reason for a firearm safety to fail. By mistake, you may think the safety is on when it really isn't. The safety may have been disengaged without your knowledge or you could think your rifle is unloaded when there's actually a cartridge or shell in it. A mechanical safety is not a substitute for common sense. It's merely a supplement to your proper and careful handling of a firearm. The word "safety" describes a firearm's trigger block mechanism, sear block mechanism, hammer block mechanism or firing pin block mechanism. Mechanical "safeties" are design to place your firearm in a safer status, and no guarantee can be made that the firearm will not fire even when the "safety" is in the "safe" position.

Never touch the trigger on a firearm until you are ready to shoot. Keep your fingers away from the trigger when you're loading or unloading. And don't pull the trigger when the safety is engaged or positioned between safe and fire.

Before using your firearm, read this instruction book to understand the exact location and operation of your firearm's safety. Even when the safety is on, maintain strict control of your loaded firearm and control the direction of the muzzle. In other words, never rely on your safety to justify careless handling. If your firearm's internal mechanisms are broken or have been altered, your firearm may fire even when the safety is on. While it is a god idea to "test" your firearm's mechanical safety periodically for proper function, never test the safety while your firearm is loaded or pointed in an unsafe direction. Remember, you and your safe firearm handling practices are your firearm's best safety.

1.4. Use proper ammunition

Every firearm is designed to use a certain caliber or gauge of ammunition. Using the wrong ammunition, mixing ammunition or using improperly reloaded ammunition can cause serious personal injury or death. It only takes one cartridge or shotshell of the incorrect caliber or gauge, or which has been improperly reloaded, to destroy your firearm. It's your responsibility to make sure the ammunition you use exactly matches the caliber or gauge of your firearm. Refer to this instruction book to find out the specific requirements of your firearm. Always read and follow the instructions on ammunition boxes. Never store cartridges of mixed calibers in a common container or in your pockets.

Confusing shells or cartridges can cause serious personal injury or death and destroy your firearm. Examine your cartridges closely and use only the precise caliber or gauge designed for your specific firearm.

Check all ammunition before you load it to make sure it matches your firearm's requirements. Cadex cannot assume any responsibility for the use of unsafe or improper firearm and ammunition combination or damage or injury caused by damaged ammunition. It is your responsibility to read and follow all warnings in this owner's manual and on ammunition boxes.

Every cartridge and shell is head-stamped with its caliber or gauge for easy identification. Likewise, you'll find the caliber of your new Cadex firearm imprinted on the barrel.

Use only SAAMI or CIP approved ammunition. The barrel and action of this firearm have been made with substantial safety margins beyond the pressures developed by established American commercial loads. Nevertheless, we can assume no liability for incidents which occur through the use of cartridges with nonstandard dimensions or which develop pressures in excess of commercially available ammunition which has been loaded in accordance with standards established by Sporting Arms and Ammunition Manufacturer's Institute (SAAMI) or The Commission Internationale Permanente (C.I.P.).

Reloading requires extra diligence.

If you're an ammunition reloader, you are responsible for personally assuring that the loads and components of your reloaded ammunition meet your rifle's factory-tested standards. Never use ammunition which has been reloaded by someone else!

Many shooters handload as a hobby or to save money on commercial, factory-made ammunition. However, it requires a thorough knowledge of reloading procedures and a deep respect for the explosive potential of gunpowder.

Firearms are designed, manufactured and tested to standards based on factory-loaded ammunition. Handloaded or reloaded ammunition that deviates, either intentionally or accidentally, from load or component recommendations can be very dangerous.

Reloaders must observe all possible safety precautions and practices related to the proper handling of explosives. Whether you're a seasoned reloader or just starting out, you should study the subject, watch reloading demonstrations and talk to experienced reloaders.

The first rule of reloading is to always follow the manufacturer's instructions for the components you're using. They'll tell you to follow certain guidelines. Namely:

1. Don't mix or substitute powders or primers.
2. Don't use unknown or substandard components.
3. Use only suitable components that have been factory-tested by reputable ammunition, powder and bullet manufacturers.
4. Always be sure to use the manufacturer's recommended recipe when reloading.

Not following these guidelines could result in severe injury or death to yourself or others or severe damage to your firearm. Dangerously high pressure and explosions can result from an overcharge of powder or other deviations from established reloading guidelines. Be very careful. The process of reloading exposes you to environmentally hazardous material. Lead, which is known to cause cancer and birth defects, is the most common substance in bullets and shot. It is important to handle lead bullets and shot with extreme care. Work only in a well ventilated area and always wash your hands after exposure and before eating. Never smoke while reloading.

Primers and powders are also highly toxic and flammable. So after reloading be sure to clean up all materials from your work area. Don't leave primer or powder spills anywhere on the floor or bench top. Dispose of all waste material in accordance with the manufacturer's recommendations.

Finally, when reloading or hand loading, concentrate on what you're doing at all times. Do not be distracted by talking to others, listening to the radio or watching TV while reloading. Never reload after consuming alcoholic beverages or drugs of any kind. You are working with extremely hazardous materials and you can't risk even a few seconds of distraction. Remember, if you reload, you are the ammunition manufacturer and you are responsible for the performance and safety of your reloaded ammunition.

1.5. Learn the mechanics and handling characteristics of your firearm

Not all firearms are alike. They have different mechanical characteristics that dictate how you should carry and handle them. Anyone who plans to use a firearm should first become totally familiar with the type of firearm it is and the safe handling procedures for loading, unloading, carrying, shooting and storing it.

Before you unpack your new Cadex firearm, read this instruction book in its entirety and familiarize yourself with the different components and parts of the firearm. Read, understand and follow the eleven rules of firearms safety contained within this manual.

1.6. Always wear eye and ear protection when shooting

Your sight and hearing risk injury from shooting and should be protected at all times. Wear protective shooting eye-wear to guard against falling shot, clay target chips, powder residue, ruptured cartridge cases and even twigs and branches in the field.

Also be sure to wear eye protection when you're disassembling or cleaning your firearm. Tensioned parts (like springs) and cleaning solvents can come in contact with your eyes. Always protect yourself.

Continued exposure to shooting noise can permanently damage your hearing. Always wear ear protection when shooting at the range or when shooting in confined areas.

1.7. Be sure the barrel is clear of obstructions before shooting

Before loading your firearm, open the action and make sure that the chamber and magazine are free of ammunition. Check the barrel for any obstructions or debris. Even a small amount of snow, mud, excess lubricant or grease in the bore can dangerously increase pressure and cause the barrel to bulge or burst when firing.

Use a cleaning rod and patch to wipe away anti-rust compounds or any other residues or obstructions in the barrel. **Never try to shoot out an obstruction by loading another shell and firing!**

If the noise or recoil of your firearm seems weak, stop everything, unload your firearm and be sure nothing is lodged in the barrel. Always be sure you're using the correct ammunition in your firearm and that it's free of obstructions.

1.8. Be sure of your target and what's beyond it

You can't stop a shot in mid-air, so never fire unless you know exactly where your shot is going and what it will strike. Never fire at a sound, a movement or a patch of color. A hunter in camouflage can easily be mistaken for a target by an impulsive shooter. Before you pull the trigger be absolutely sure of your target and what's behind it. Make sure the shot has a backstop such as a hillside or dense material like sand. Remember, bullets can travel great distances with tremendous velocity. Know how far your shot will go if you miss your target or the bullet ricochets.

1.9. If your rifle fails to fire when the trigger is pulled, handle with care

Be alert to the signs of ammunition malfunction. If you detect an off sound or light recoil when a cartridge is fired, do not load another cartridge into the chamber. If for some reason the ammunition doesn't fire when you pull the trigger, stop and remember the 1st rule of Firearm Safety – always keep the muzzle pointed in a safe direction.

Keep your face away from the breech, wait at least 30 seconds then carefully open the bolt, unload the firearm and dispose of the cartridge safely. Inspect the primer on the misfired cartridge if there is a firing pin signature or indent dispose of the cartridge in a safe manner. If the primer shows no signs of a firing pin signature or indent, your firearm should be examined by a qualified gunsmith and the cause of the malfunction corrected before further use.

Completely clear the barrel before loading and firing again. Failure to follow these instructions can cause extensive damage to your firearm and possible serious injury or death to yourself and others. Remember that any time there's a cartridge or shell in the chamber, your firearm is loaded and ready to use despite a misfire situation.

1.10. Never alter or modify your firearm and have it serviced regularly

Your firearm has been designed to operate according to certain factory specifications. by attempting to alter its trigger, mechanical safety or other mechanisms you're putting your safety and the safety of others at risk of injury or death. Never alter or modify your firearm in any way.

Proper cleaning, regular maintenance and lubrication are important to safe firearm functionality and are necessary to assure accuracy, safety and reliability. Before cleaning, always make sure that your rifle is completely unloaded. Many firearm accidents occur when a firearm is being cleaned, special and extreme care and caution should be taken to ensure that your firearm is unloaded before disassembly, cleaning and reassembly. Keep ammunition away from the cleaning location. Never test the mechanical function of any firearm with live ammunition. Always clean the barrel from the chamber end to the muzzle when possible.

Always clean and verify the firearm's bore before use. Verifying with a bore light or some other type of commercial bore verification tool is the safest and most effective way to verify that the bore is clean and free of obstructions. Be sure to clean your entire rifle before and after long-term storage and no less than once a year. It's also important to clean your firearm whenever it's been exposed to adverse conditions such as rain, dirt, mud, snow, sleet or saltwater.

For the safe and dependable operation of your firearm, all parts of your firearm must be properly cleaned and lubricated. Periodically inspect the internal workings of your firearm to be sure they are clean and free of rust, unwanted dirt and debris.

Use recommended lubricants on your firearms and do not over-lubricate. Excessive use of a non-recommended lubricant could adversely affect the function and safe operation of your firearm. Remember, you are responsible for the proper care and maintenance of your firearm. Failure to properly maintain your firearm can not only damage or ruin your firearm; it can expose you and others to unnecessary risks of personal injury or death.

Your firearm is a mechanical device which will not last forever, and as such, is subject to wear and requires periodic inspections, adjustment and service. Your Cadex firearm should be serviced by a Cadex factory certified service facility. We cannot assume any responsibility for injuries suffered or caused by unauthorized servicing, alterations or modifications of Cadex firearms. Do not, under any circumstances, alter the trigger, safety or other parts of the firing mechanism of this or any other firearm. Failure to obey this warning may result in injury or death to yourself or others.

1.11. Teach and supervise firearms safety to all members of your family

Closely supervise newcomers to the shooting sports. Encourage enrollment in hunting and shooting safety courses.

BE CAREFUL!

WARNING!

Discharging firearms in poorly ventilated areas, cleaning firearms or handling ammunition may result in exposure to lead, a substance known to cause birth defects, reproductive harm, cancer and other serious physical injury. Have adequate ventilation at all times. Wash hands thoroughly after exposure.

Never drink alcoholic beverages or take any type of drugs before or during shooting!

Your vision, motor skills and judgment could be dangerously impaired, making your firearm handling unsafe to you and others.

WARNING!

Failure to follow any of these safety rules may cause personal injury or death to the shooter or bystander and damage to property. Do not use a firearm until you fully understand and practice the eleven rules of firearm safety.

If you have any questions about the safe use of a Cadex firearm,

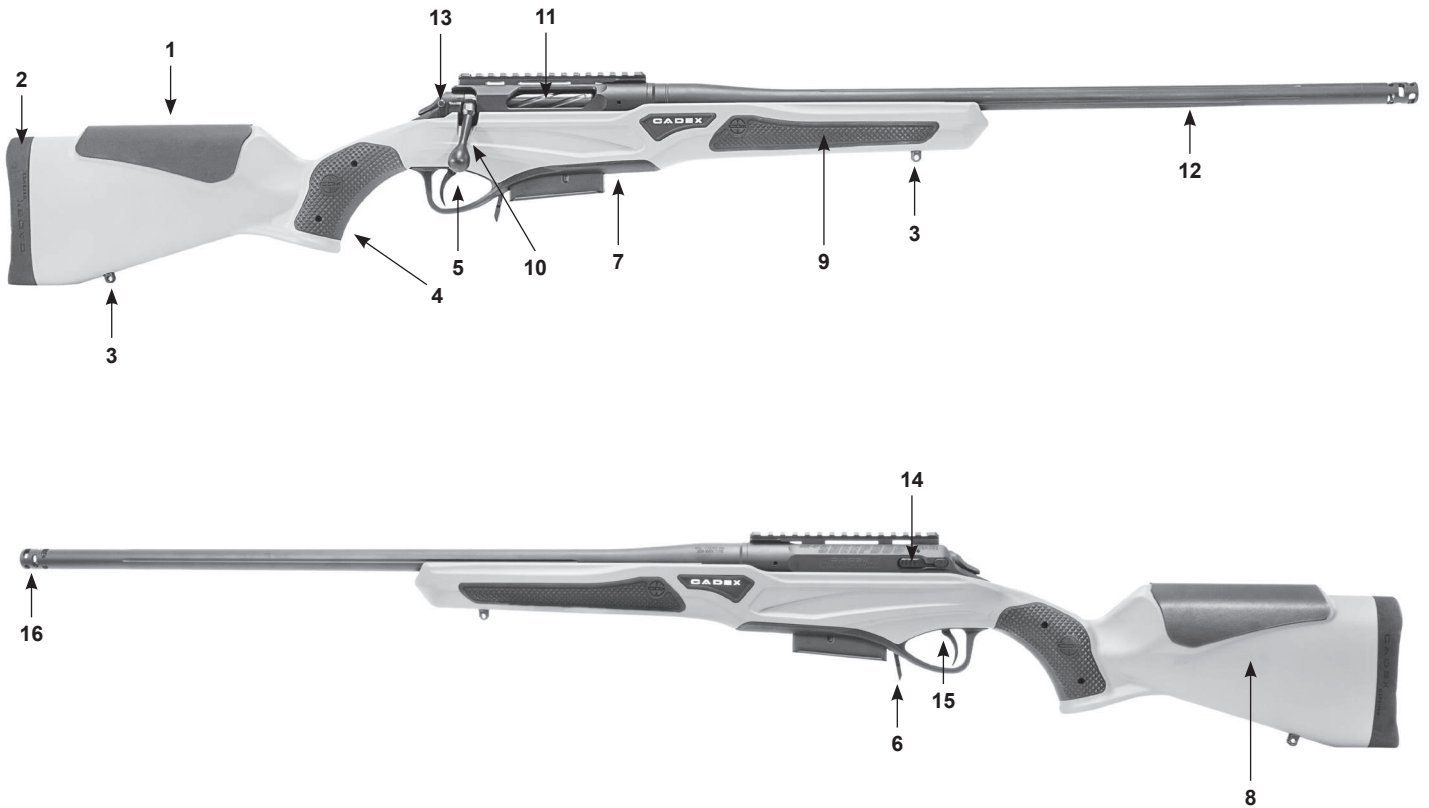
Write to us at:
customerservice@cadexinc.com

Or call us at:
1-888-348-6774

Or visit our website at:
www.cadexdefence.com

2. RIFLE FEATURES

2.1. CRBN/SPTR configuration



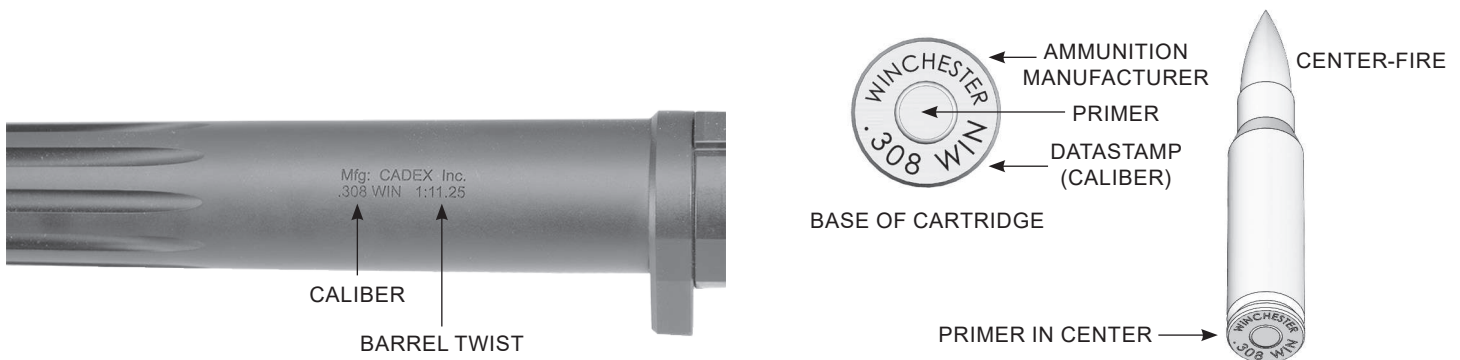
	SHORT ACTION	LONG ACTION
Caliber	6.5 Creedmoor / 6.5 PRC / 308 Win / 300 WSM	300 PRC / 338 Lapua Mag
Top rail	0 MOA (20 or 30 MOA optional)	0 MOA (20 or 30 MOA optional)
Barrel length	24"	26"
Weight*	8.2 lbs (3719 grams)	8.3 lbs (3765 grams)
Overall length*	45.25" x 2.85" x 6.8" (114.93 x 7.24 x 17.27 cm)	48.06" x 2.85" x 6.8" (122.07 x 7.24 x 17.27 cm)

**Weight with empty magazine and overall length with muzzle brake*

KEY	PART	FUNCTION
1	Cheek pad	Neoprene cheek pad.
2	Recoil pad	Cadex recoil pad.
3	Sling stud / Bipod stud	Provides a means to attach various types of bipods or rifle slings.
4	Hand rest / Grip	Rubberized grip insert provides a control grip for the firing hand.
5	Trigger guard	Oversized trigger guard and magazine release for easy manipulation with gloves.
6	Magazine catch	Retains and releases the magazine.
7	Detachable base	Allows to secure magazine in place. When removed, provides access to trigger group.
8	Chassis	Ergonomics fiber stock with the micro-chassis system to precisely secure the action.
9	Front grip	Rubberized grip insert.
10	Bolt handle	For opening and closing the bolt.
11	Bolt	For inserting a cartridge into the chamber.
12	Barrel assembly	Allows the projectile to be precisely fired from the firearm.
13	Safety lever	Allows the operator to block/release the trigger.
14	Bolt release	Allows the operator to remove the bolt from the receiver.
15	Trigger	Fully adjustable trigger (single or dual stage) allows for the precise increase or decrease of trigger pull weight.
16	Muzzle brake	Reduces felt recoil and improves rifle stability.

2.2. Caliber designation

Before loading always insure that you are using ammunition that matches the caliber inscription found on your rifle's barrel. **WARNING! Using the wrong ammunition, mixing ammunition or using improperly reloaded ammunition can cause serious personal injury or death.**



3. IMPORTANT PARTS OF THE FIREARM

3.1. The safety mechanism

The safety mechanism provides protection against accidental or unintentional discharge under normal usage when properly engaged and in good working order. The safety mechanism is not a substitute for following the rules of safe firearm handling.

To engage the safety mechanism, pull the safety mechanism lever fully to the rear position (“S” position).



Always put the safety mechanism in the safe position before handling the firearm. Pushing the safety mechanism lever forward (“F” position) indicates that the firearm is ready to fire.



Do not touch the trigger while moving the safety mechanism. Your fingers and all other objects should be kept outside of the trigger guard and away from the trigger until you are actually ready to fire by pulling the trigger.

WARNING! The firearm will fire when the trigger is pulled and the safety mechanism is in the “F” position. Even when the safety mechanism is in the “S” position, careless handling can cause the firearm to fire.

3.2. The bolt assembly

A. To install bolt assembly (the bolt assembly locks the cartridge into the chamber)

1. Always point the firearm in a safe direction.
2. Align the lugs on the bolt assembly with the receiver. The bolt handle will be in the open position.
3. Slide in the bolt until the bolt handle reaches the bolt handle seat.
4. To place the bolt assembly in closed position, push the bolt handle down.



B. To remove bolt assembly

1. Always point the firearm in a safe direction.
2. Raise the bolt handle.
3. Pull the bolt handle all the way back.
4. Push the bolt stop release on the left side of the receiver.
5. Slide the bolt assembly away from the firearm.



C. Disassembling the bolt assembly

The bolt assembly can be disassembled for cleaning and maintenance purpose.

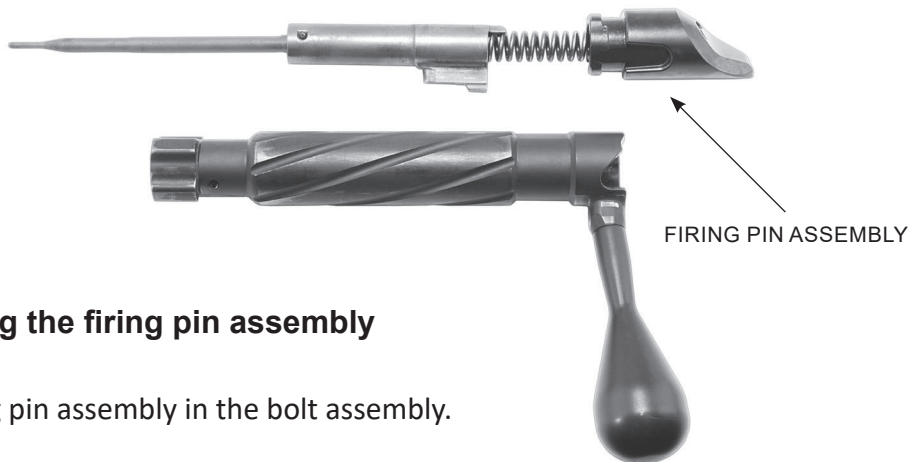
WARNING! Do not modify any parts of the bolt assembly. Modification of the firing system can cause safety issues.

D. Removing the firing pin assembly

1. Remove the bolt from the action.
2. Turn the shroud clockwise (when facing the rear of the bolt) until the firing pin assembly is released from the bolt. **WARNING! Be careful when removing the shroud from the bolt assembly because it is spring-loaded. Always handle it firmly during disassembly.**



3. Pull the firing pin assembly backward and remove it from the bolt assembly.



E. Reassembling the firing pin assembly

1. Insert the firing pin assembly in the bolt assembly.



2. Push hard (until the shroud face is in contact with bolt rear face) and turn the shroud slowly counterclockwise until it locks in place.



This document contains information that is proprietary to Cadex Inc. Neither this document nor the information contained herein shall be used, duplicated or communicated by any means to any third party, in whole or in part, except with the prior written consent of Cadex Inc. This restrictive legend shall not be altered or obliterated from this document.

3.3. The trigger assembly

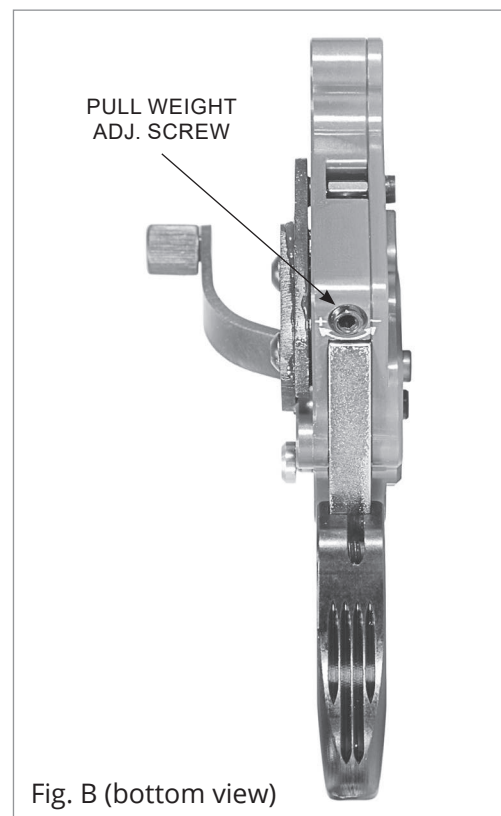
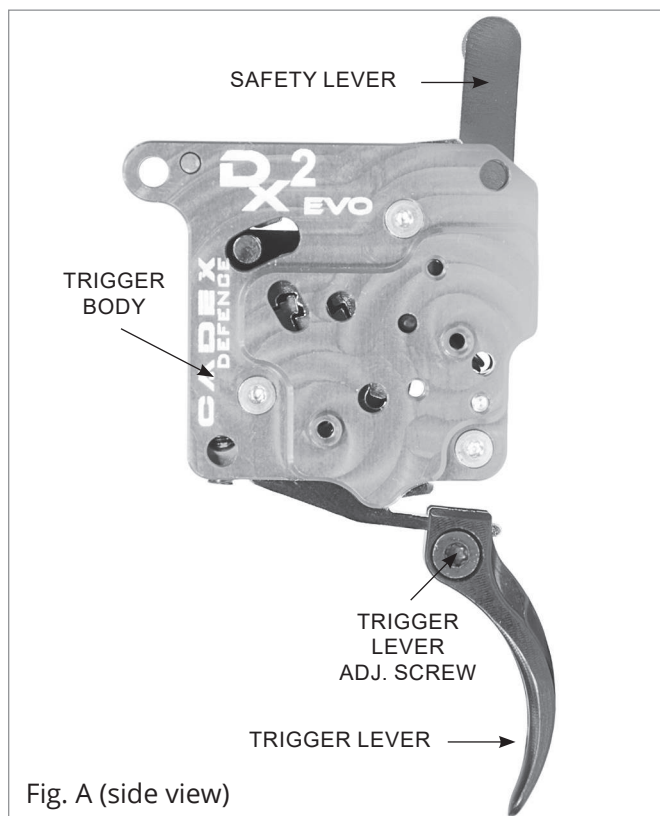
Pulling the trigger fires the firearm. The trigger assembly on your rifle comes with a trigger pull weight adjustment. Adjusting the trigger pull weight does not require disassembly from the rifle.

WARNING! Only the trigger pull weight is adjustable. For safety's sake, NEVER make adjustments or alterations to any other parts of the trigger assembly or rifle.

WARNING! Do not make dry firing on your rifle when doing adjustments. This can affect the rifle safety and can void the warranty. Use of snap caps is strongly recommended.

WARNING! NEVER put your finger on the trigger unless you are going to fire the firearm.

DX2 EVO TRIGGER



A. Trigger pull weight adjustment

The trigger of your rifle has been pre-set at the factory in conformity with industry guidelines to provide the better performance of the product. Cadex do not recommend user to adjust the pull weight outside of the pre-define range. However, for competition target shooters firing the rifle from a secure stationary rest in a controlled environment, the trigger pull force can be adjusted downward by the user or a qualified gunsmith using the procedure set forth below.

WARNING! Adjustments below two (2) pounds (0.91 kg) of trigger pull weight should only be made for a rifle being used in competitive target shooting and fired from a secure stationary rest in a controlled environment. When lowering the trigger pull weight, it is the user responsibility to verify the trigger and rifle safety and Cadex will not be responsible for any problems related with a trigger pull weight below two pounds.

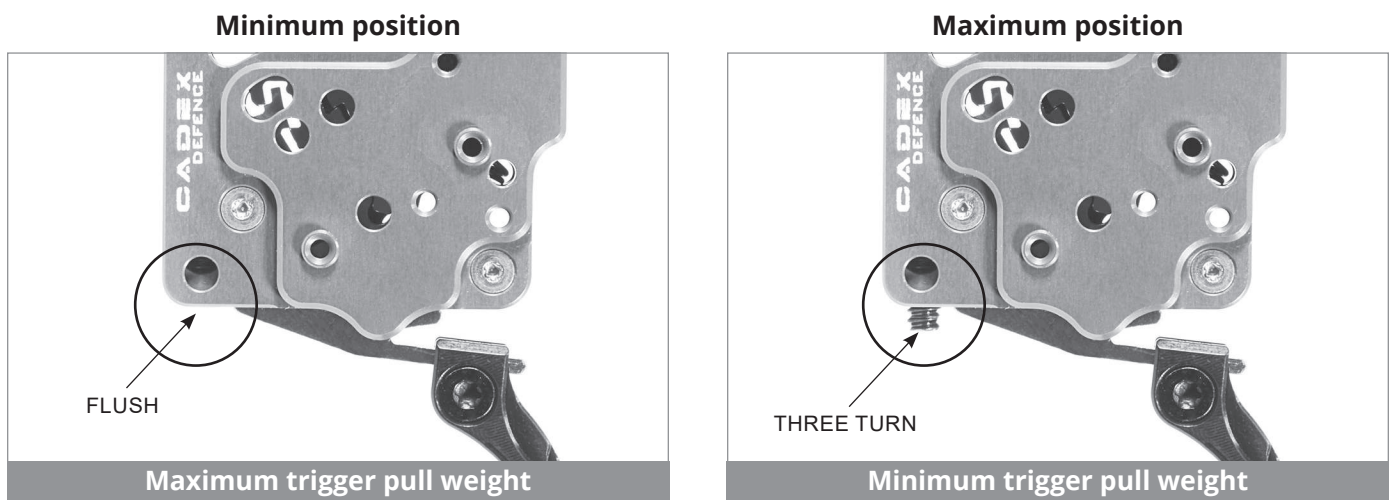
For any other purpose, including use in the field, the trigger pull weight on your rifle should NEVER be reduced below two (2) pounds (0.91 kg).

Remember – regardless of the amount of trigger pull weight, ALWAYS keep the muzzle of your rifle pointed in a safe direction to prevent injury or death caused by an unintended or accidental discharge.

WARNING! With the bolt removed, check the chamber and magazine of the rifle to make sure there are no cartridges in the rifle. NEVER attempt to adjust the trigger pull weight on a loaded rifle.

NOTE: The trigger needs to be installed on the receiver for pull weight adjustment.

1. Remove the bolt from the action.
2. Remove the detachable base from the chassis. (See section 3.8. - 1 for the detailed procedure)
3. Second stage adjustment (only the second stage is adjustable): using a 1/16" Allen key, slowly turn the pull weight adjustment screw clockwise to increase the trigger pull weight. Turning the screw counterclockwise will reduce the trigger pull weight. Caution! Please note that the full range of the trigger pull weight adj. screw is from "Flush" with the trigger body up to three (3) complete turn (see below).



4. Reinstall the bolt into the action.
5. Close the bolt and put the safety to the "F" position.
6. With a trigger pull gauge, pull the trigger backward until the sear releases the firing pin.
7. Record the value of the pull weight.
8. If the desired trigger pull weight has not been achieved, repeat steps 3 through 7.

B. Trigger lever position adjustment

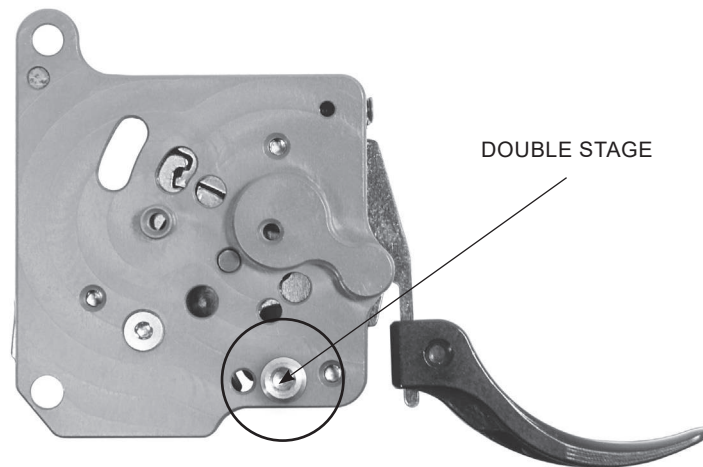
The trigger can be adjusted forwards/backwards to accommodate shorter/longer fingers.

1. Using a T8 torx driver, turn the locking screw counterclockwise.
2. Slide the trigger lever to the desired position.
3. Turn the screw clockwise to tighten into place (hand tighten, use low-strength purple loctite).
Pay attention to not over tight.

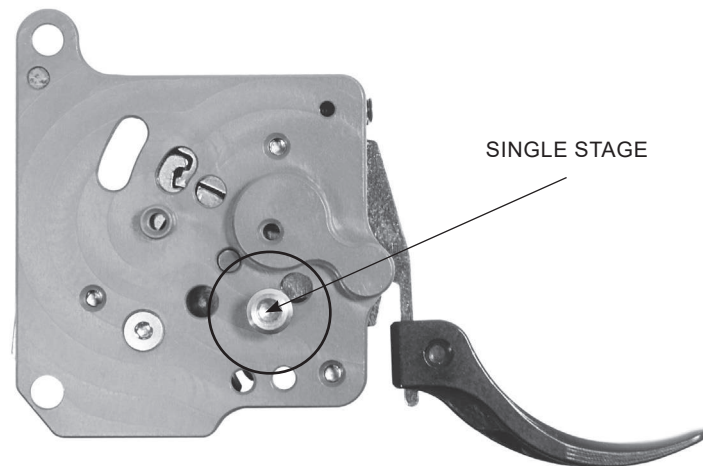
C. Single stage vs double stage conversion

The trigger can be converted from a double stage to a single stage trigger. **Note: Only the second stage pull weight is adjustable.**

1. Using a 5/64" Allen key, remove the screw.



2. Insert the screw into the first stage hole. It may be necessary to pull the trigger lever a little bit to give access to the screw.



3. Fully tighten the screw and torque it to a max of 6 in-lbs.

D. Trigger cleaning and maintenance

See section 5.3 for details.

3.4. The barrel

The inside of the barrel must be clean and free of obstructions.

A. New firearm break-in procedure

For the best results and long life of your rifle barrel, we suggest the following break-in procedure:

1. Thoroughly clean the barrel before shooting, following the instructions in section 5.2. Always clean the barrel from the chamber end towards the muzzle.
2. With the bolt removed and the bore guide (optional item) in place, start by pushing a solvent wet patch through the bore, followed by 20 strokes of a solvent soaked bronze brush. Dry patch the barrel until patches come out clean and dry. Remove the bore guide and run a final dry patch through chamber and bore. Install the bolt. The rifle is now ready for the first shot.
3. Fire one round and reclean the bore as stated in the previous step. In order to break in the barrel correctly it is critical to remove all traces of fouling. After the initial bore cleaning has been completed, run several patches soaked in the copper remover completely through the barrel. Dry patch after each wet patch. Once there is no trace of copper in the bore and the patches come out clean and dry, fire the next round. Repeat this procedure for the first 10-12 rounds.
4. When you have completed this initial single shot sequence, you may proceed to the next step. Shoot two (2) shots and clean, for a total of twenty (20) rounds. At no time should the barrel be allowed to get so hot that you cannot hold it comfortably in your hands.
5. CAUTION: Do not use any kind of abrasive cleaner in the bore.

B. To check the inside of the barrel

1. Point the firearm in a safe direction.
2. Put the safety mechanism in the "S" position.
3. Remove the bolt from the action.
4. Remove any ammunition from the chamber and remove magazine.
5. Look through the inside of the barrel from the chamber end to the muzzle.

C. To remove object from inside the barrel

1. Use correct size cleaning rod.
2. Push cleaning rod from the chamber end all the way through the barrel, until the rod comes out of the muzzle.
3. If an object cannot be easily pushed out of the barrel with a cleaning rod, return the firearm to the factory or a QUALIFIED GUNSMITH.

WARNING! NEVER try to remove an object from the barrel by loading another cartridge and firing. This may cause the barrel to burst or a cartridge case to rupture and cause serious personal injury or death.

D. To clean the barrel

Follow the instruction on section 5.2.

3.5. The hunting muzzle brake

The Cadex hunting muzzle brake is designed to deflect gases sideways to reduce the felt recoil, dust cloud and improve rifle control. The muzzle brake is located on a 5/8-24 UNEF thread and it's not recommended to remove it.

3.6. Chassis description

The Cadex Tundra Strike chassis is an integrated system to enhance the handling and portability of hunting rifles. The chassis is designed to make the rifle a modular system that allows the hunter to tailor it to specific needs.

A bipod stud is located at the forward-most bottom of the chassis. This positions the bipod far forward of the rifle's center of mass, which allows the shooter better control of the rifle under recoil, for better shot follow through.

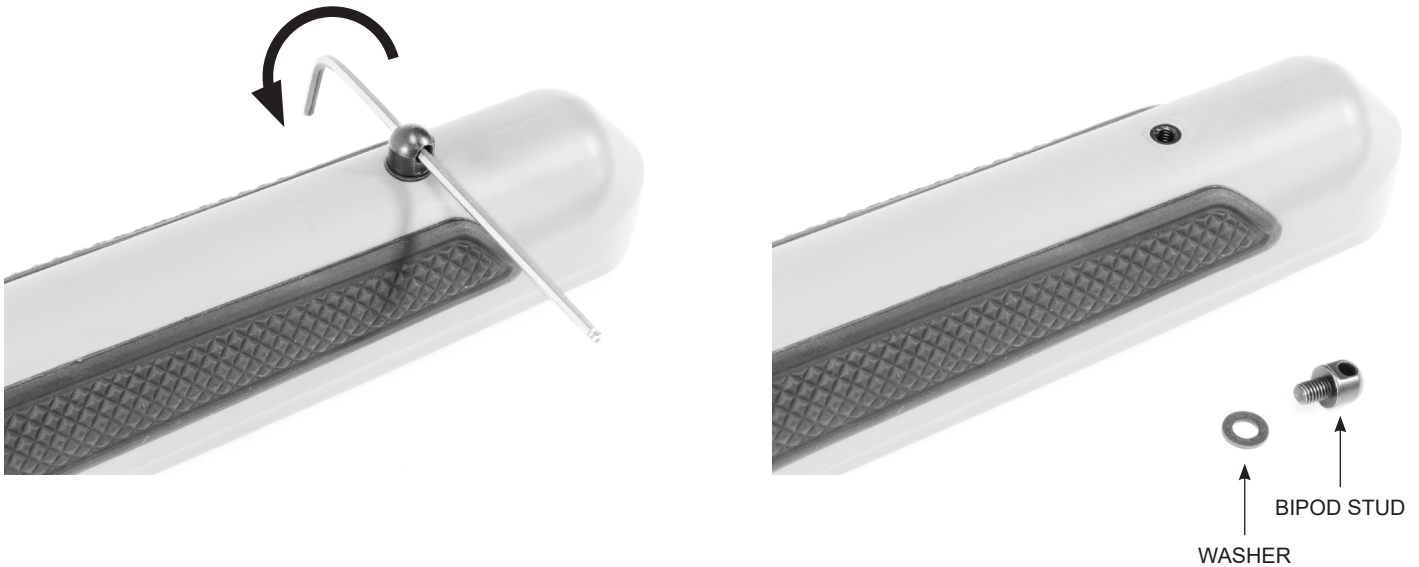
The chassis features a plastic magazine well, which uses standard magazines (AICS type), and an incorporated lever type magazine catch.

3.7. Stock adjustments

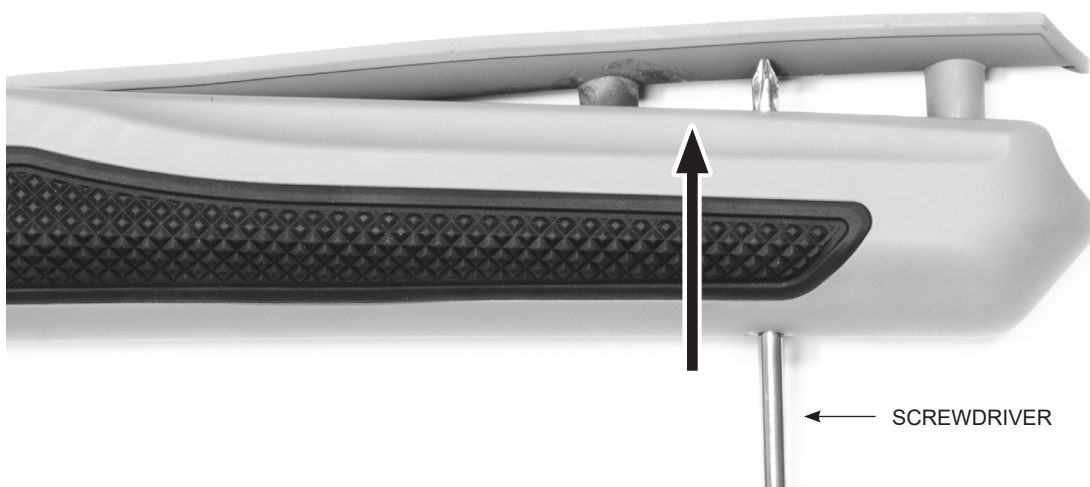
A. Changing the barrel cover (optional)

The barrel cover can be changed to fit the Carbon barrel or the Sporter barrel for a nicer fit.

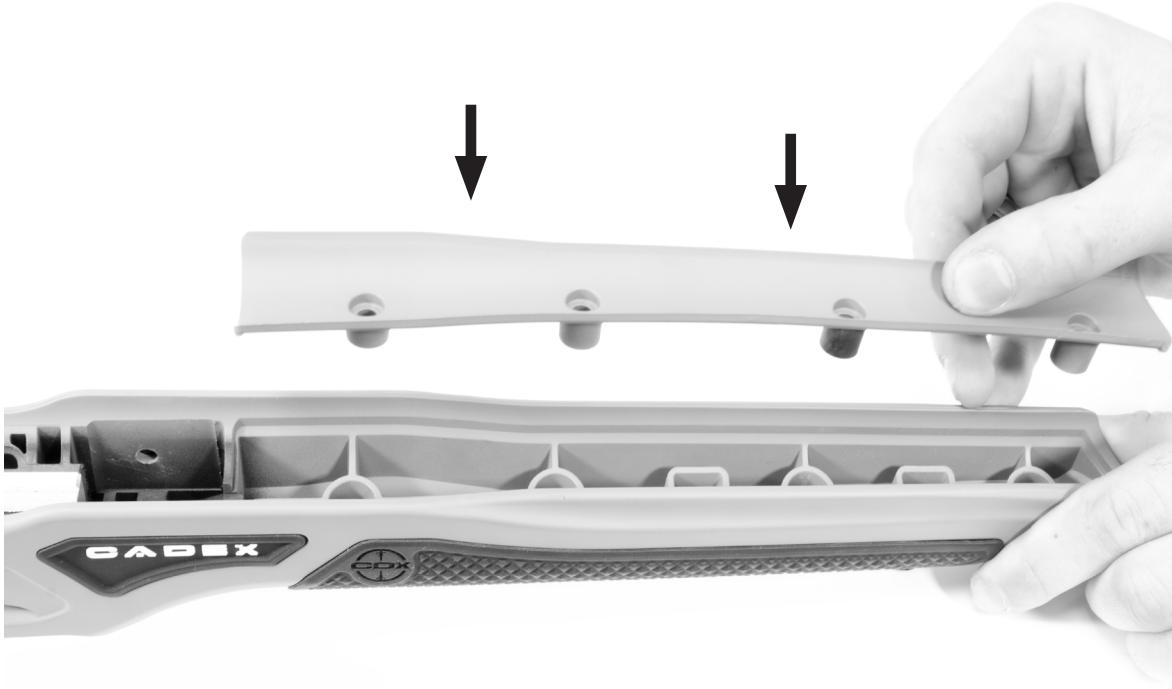
1. Remove the four (4) screws (with a Phillips #2 screwdriver) holding the cover to the chassis (keep the screws for the next steps).
2. Remove the bipod stud located on the front of the chassis. Use an 1/8" Allen key or any tool with a diameter equal or inferior to 1/8" and insert it in the hole of the bipod stud. Then, turn counter clockwise to remove it and make sure to not loose the washer.



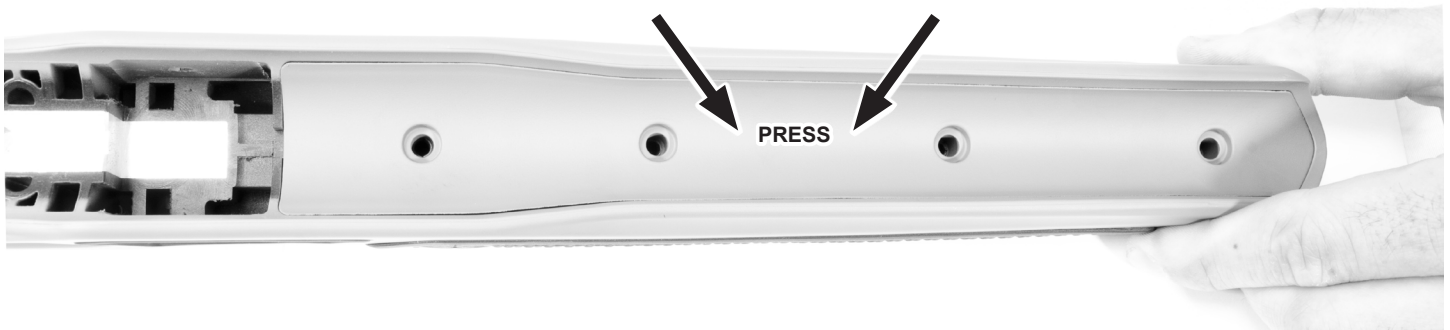
3. Use a screwdriver to push on the barrel cover from the hole of the sling stud and take it off by gently pulling on it.



4. Insert the new barrel cover in the appropriate slot designed for a perfect fit with the barrel cover and the chassis.



5. Press firmly to clip the barrel cover to the chassis. Make sure it is well positioned. The barrel cover must be flush to the chassis.

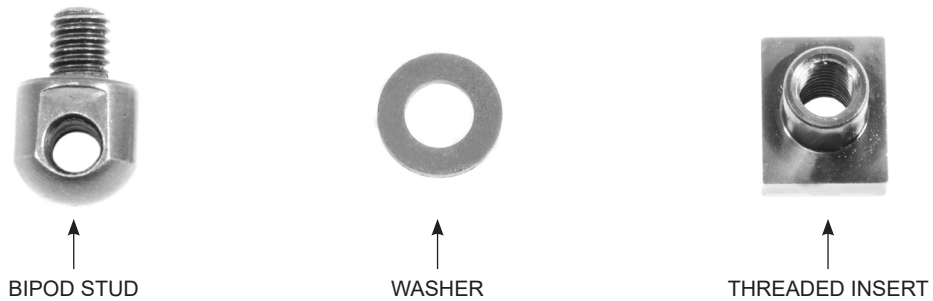


6. Insert the four (4) screws from step 3.7.A-1 with a Phillips #2 screwdriver and refer to Appendix B for torque specification.
7. Reinstall the bipod stud and refer to Appendix B for torque specification.

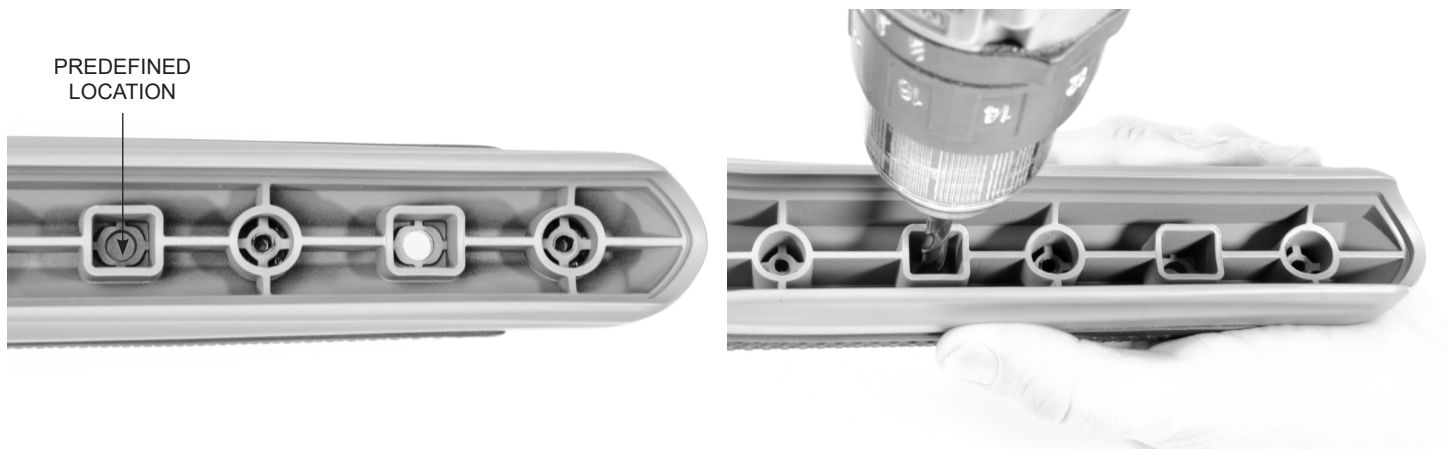
B. Add a new bipod stud location (optional)

A second bipod stud location can be added for the user to install a sling or other accessories.

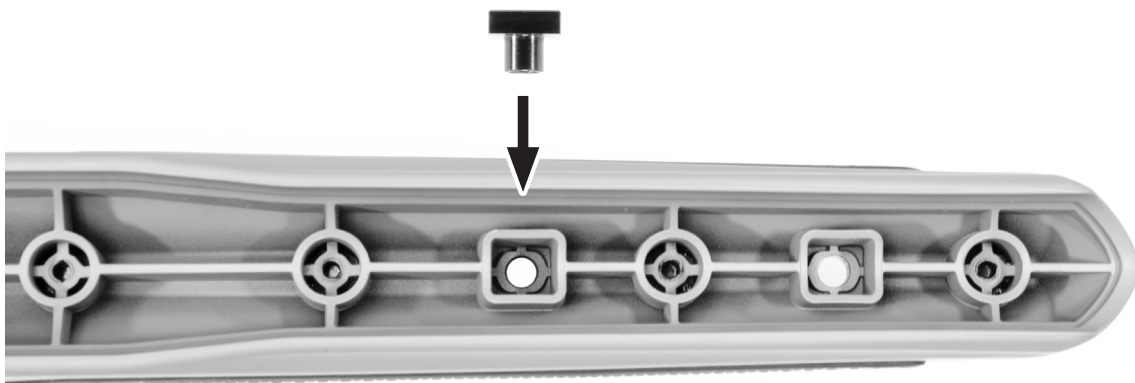
The bipod stud kit is sold separately and come in three (3) different parts.



1. Remove the barrel cover. Refer to step 3.7.A for instructions.
2. Use a 1/4" drill (6.35mm) to make a hole through the chassis in the predefined location.



3. Place the threaded insert in the hole and make sure it is completely seated on the plastic.
4. Install the new bipod stud and refer to Appendix B for torque specifications.



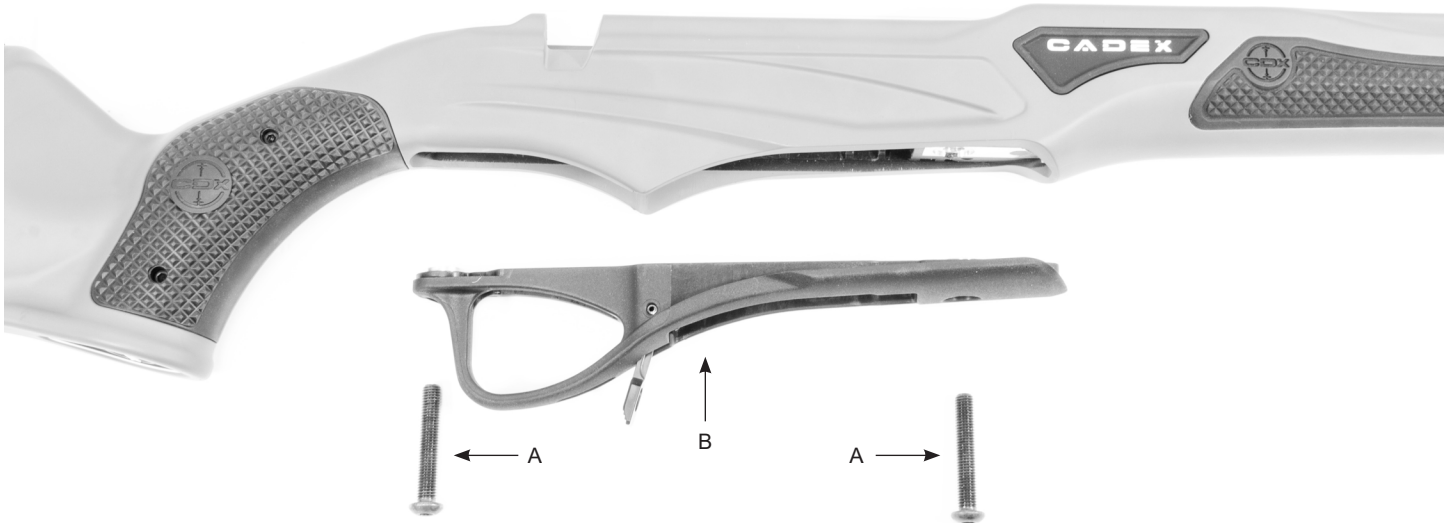
5. Reinstall the barrel cover and refer to the step 3.7.A-4 for instructions.

3.8. Disassembly of the firearm

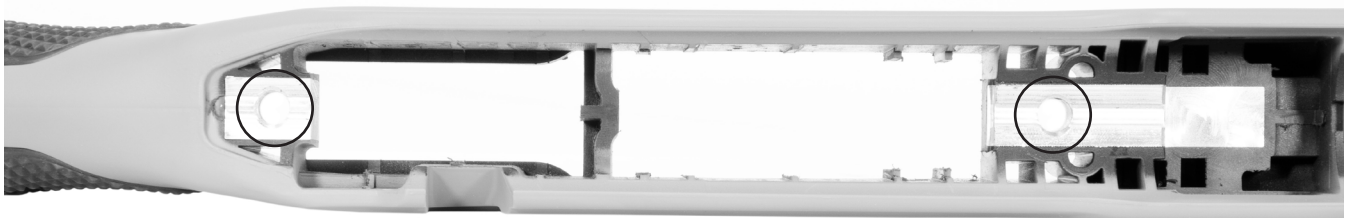
Warning! Before any disassembly of the firearm and chassis, remove the bolt from the action, remove the magazine and check the chamber of the rifle to make sure there are no cartridges in the rifle. NEVER attempt to make any disassembly on a loaded rifle.

A. Removal of the action from the chassis

1. Remove the two (2) cap screws (item A) from the bottom of the magazine well (item B), and remove the magazine well assembly from the chassis.



2. Remove the barreled action (with the trigger) from the chassis frame.
3. When the action is removed from the chassis, pay attention to not damage the mating area of the chassis and the action.



3.9. Chassis installation

Overview

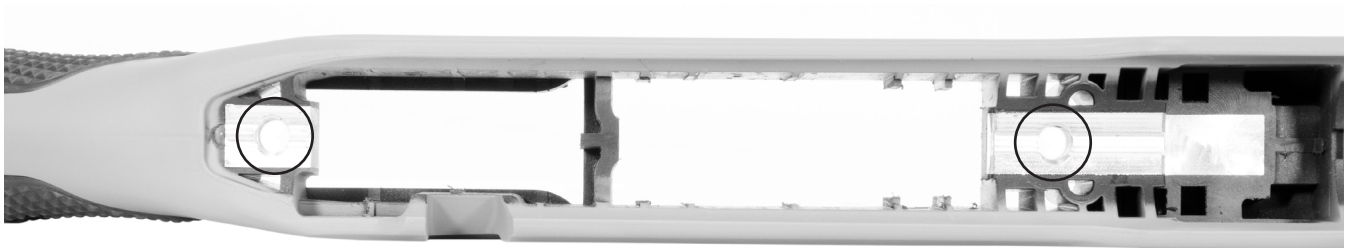
The Tundra strike major components are preassembled. The installation process consists of the following:

Please refer to section 5.6. for the threadlocker application procedure prior to proceed to the chassis assembly.

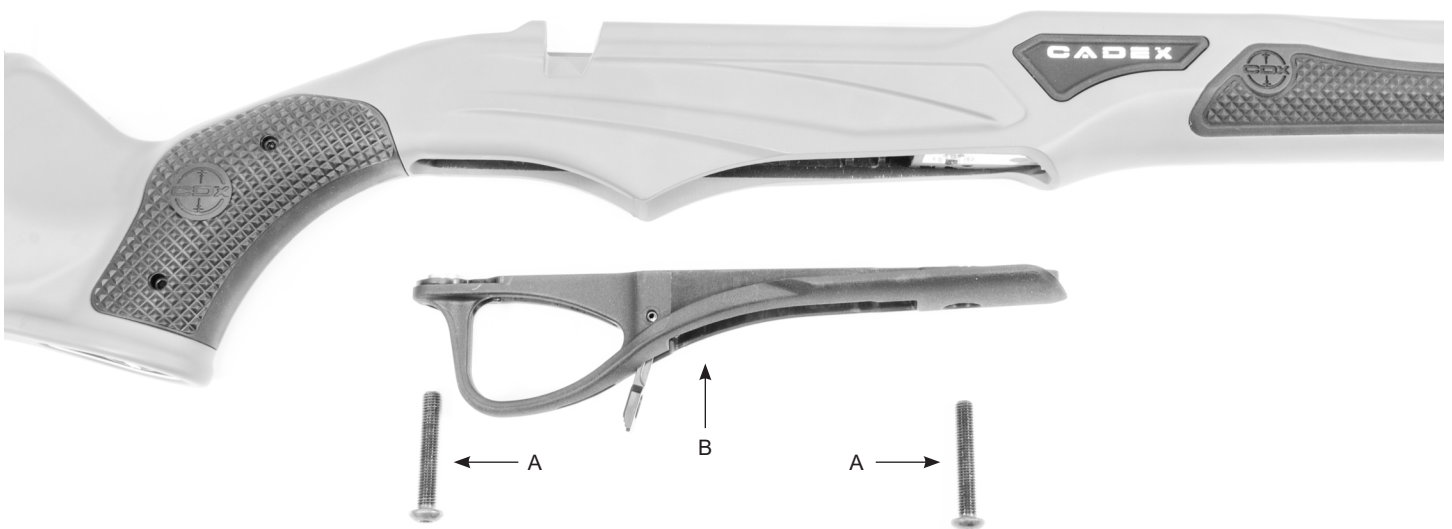
A. Installation of the rifle barreled action into the chassis frame

The barreled action is held to the chassis frame by conventional method using a front and rear action screw. The action rests on a precise machined aluminum center section to support and center the action. Recoil is transferred via the rifle recoil lug to the rear surface of the lug mortise depicted below.

NOTE: Verify the resting area is free of dirt, dent, or marks before installing the action into the chassis.

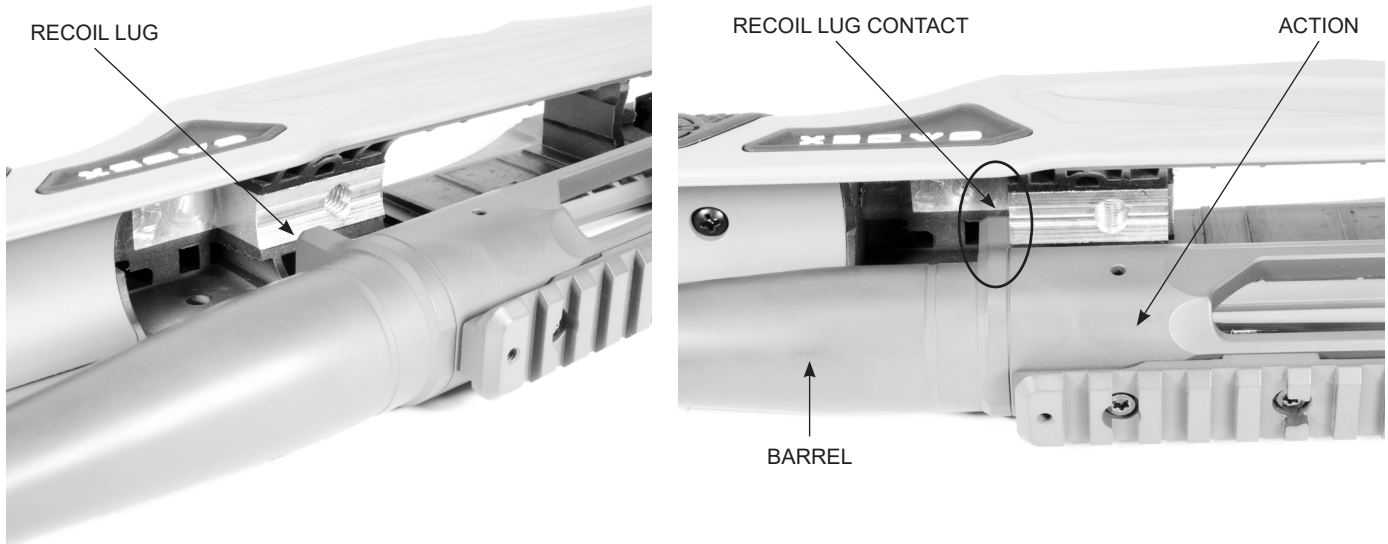


1. Remove the two (2) cap screws (item A) from the bottom of the magazine well (item B), and remove the mag well assembly from the chassis.

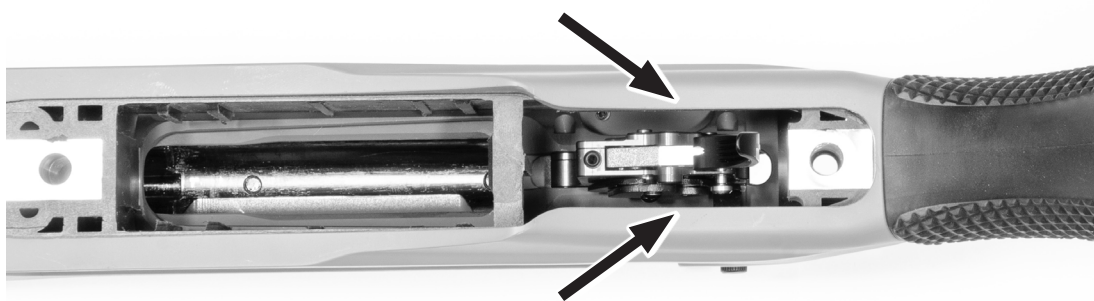


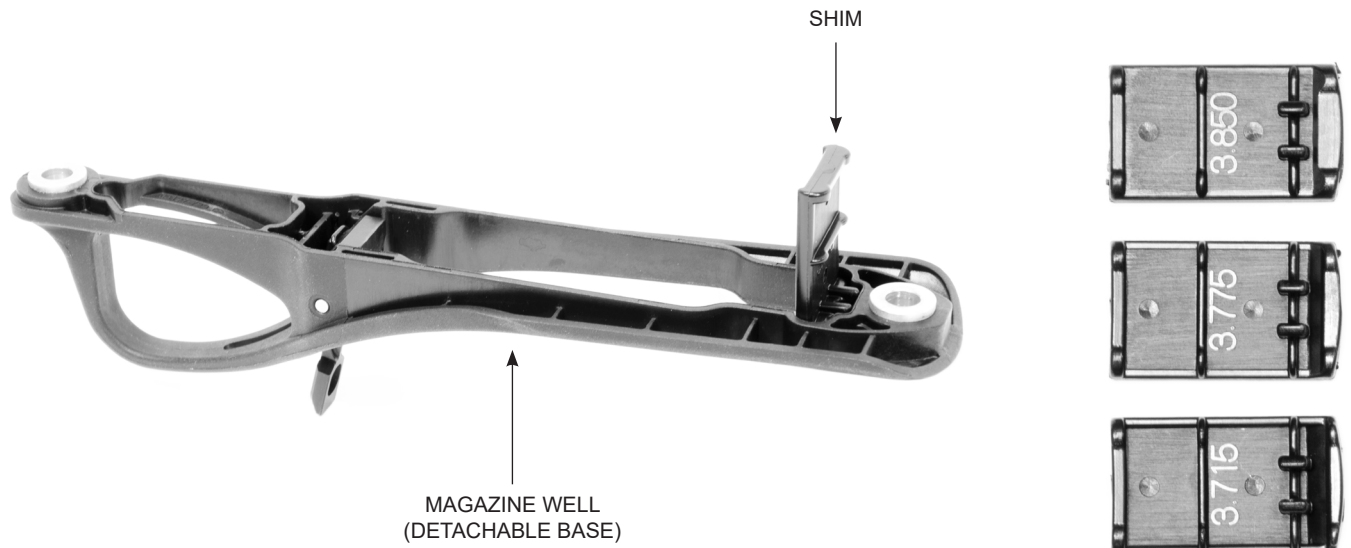
This document contains information that is proprietary to Cadex Inc. Neither this document nor the information contained herein shall be used, duplicated or communicated by any means to any third party, in whole or in part, except with the prior written consent of Cadex Inc. This restrictive legend shall not be altered or obliterated from this document.

2. Insert the barreled action (with the trigger already installed) into the chassis frame.
3. Verify that the receiver fully inserts into the chassis and the rear face of the recoil lug is bearing against the rear face of the recoil lug slot in the chassis.
4. Verify clearance on either side of the recoil lug and the front face. The single contact point for the recoil lug is the rear face against the back face of the recoil lug recess as depicted below.



5. Hold the barreled action in place and turn over to check the fit of the trigger mechanism; identify any clearance issues between the trigger, safety catch and the corresponding recess in the chassis, as shown below.





6. Install the proper magazine shim into the magazine well (for long action chassis only). The number on the shim is for the magazine length (AICS style mags).
7. After confirming there are no clearance issues with the trigger or safety mechanisms, reinstall the magazine well and insert the front and rear action/receiver screws. Do not fully tighten at this time.
8. Once both screws are in place, point the muzzle at the sky to ensure the recoil lug is firmly resting against the chassis lug recess contact point. Then, tighten the two action screws. Alternate tightening between both front and rear screws to keep even tension. Continue this process until full torque is reached (refer to Appendix B for torque specification).
9. Insert a magazine into the magazine well and confirm proper feeding with a dummy or inert cartridge.

4. LOADING/UNLOADING OF THE FIREARM

4.1. Loading

1. Point the rifle in a safe direction.
2. Move the safety lever to the “S” position.
3. Raise the bolt handle and pull it all the way to the rear.
4. Insert loaded magazine until it locks into the mag well.
5. Slowly slide the bolt all the way forward until the cartridge is in the chamber.
6. Finish closing the bolt on the cartridge by pushing down the bolt handle.
7. **The rifle is now loaded.**

4.2. Unloading

1. Point the rifle in a safe direction.
2. Move the safety lever to the “S” position.
3. Raise the bolt handle and pull it all the way to the rear. The fired round will come out by the ejection port.
4. Remove the magazine by pushing forward the magazine catch. The magazine will fall down.

5. CLEANING AND MAINTENANCE

WARNING! Verify the chamber and magazine to make sure there are no cartridges in the firearm prior to any cleaning and maintenance on the firearm.

5.1. Lubrication

1. Wipe the rifle down with a clean soft cloth. A thin coat of light oil may be applied to all steel surfaces. Apply gun grease (non melting grease, not heavy oil), at the rear of the locking lugs located at the front of the bolt, and the cocking cam at the rear underside. Keep grease and oils from getting into the trigger as this may create an unsafe condition. Do not over lube.
2. When the rifle is to be stored, it should be carefully cleaned and thoroughly oiled. A soft brush may be used to clean dust and dirt from hard to reach areas. The bore should be coated with a very light layer of oil. Avoid over oiling the bore as it will work its way down into the action.
3. When the rifle is to be reused, all excess lubrication must be removed. The chamber and the bore must be thoroughly cleaned and wiped dry.

NOTE: Never use WD-40 on any part of the rifle. WD-40 is a water displacing oil and will dry out, leaving a sticky varnish behind.

5.2. Barrel cleaning

1. Use the equipment provided in a good cleaning kit. For recommendations on cleaning kit, please contact us.
2. Remove the bolt assembly.
3. Select the correct caliber cleaning brush and attach the brush to the cleaning rod.
4. Put the cleaning brush into the rifle cleaning solvent.
5. NOTE: Barrel should lay horizontally with the ejection port facing down during cleaning. Always clean the barrel from the chamber end to the muzzle.
6. Push the cleaning brush through the barrel several times.
7. Remove brush from rod, attach tip with patch, and push through the bore.
8. Repeat several times, using a new cleaning patch each time, until the patch is not dirty.
9. Push a clean patch saturated with oil through the barrel.
10. Push a clean dry patch through the barrel to remove excess lubricant.

5.3. Receiver and trigger assembly cleaning

1. Remove the bolt assembly.
2. Turn the rifle upside down.
3. Remove the detachable base.
4. Clean the receiver and trigger assembly as a unit with a degreaser. Do not leave any degreaser on coated surface any longer than necessary.
5. Wipe the receiver down with a light coat of oil. Let stand for 15 minutes, then wipe all excess lubricant with a clean rag.
6. Pull the trigger backward and release. Verify that it return completely to the forward position each time. Repeat at least 5 times.
7. **WARNING! If the trigger does not fully return to the forward position each time it is released, then your rifle is NOT in a safe operating condition and it must NOT be used until you have had it inspected by a gunsmith.**
8. Before replacing the bolt, make sure the barrel is free from obstructions.
9. After cleaning the trigger assembly, check to be sure there are no cartridges in the rifle, close the bolt and pull the trigger. The firing pin must fall. Repeat at least 5 times. **Use of snap caps is strongly recommended.**
10. **WARNING! If the firing pin does not fall or doesn't remain cocked when the bolt is closed smartly, then your rifle is NOT in a safe operating condition and it must NOT be used until you have had it inspected by a gunsmith.**
11. Repeat step 9 but move the safety lever to the "S" position. The firing pin must NOT fall. Repeat at least 5 times.

WARNING! If the firing pin fall, your rifle is NOT in a safe operating condition and it must NOT be used until you have had it inspected by a gunsmith.

5.4. Bolt assembly cleaning

1. Remove the bolt assembly from the rifle.
2. Use a good quality solvent and a clean rag to wipe down the bolt body. Ensure that all fouling and residue are removed.
3. With a good quality bristle brush and solvent, scrub the bolt face and remove all fouling and loose brass from the bolt face.
4. Lift the extractor upward and clean under the extractor notch with the brush and solvent.
5. Dry thoroughly and lubricate bolt body with a small amount of gun oil.
6. Activate the ejector and the extractor and ensure they move freely without sticking.
7. **WARNING! If the ejector or the extractor sticks, see a gunsmith for service.**
8. A light film of grease should be applied behind the bolt locking lugs. DO NOT OVER GREASE. This will facilitate smooth bolt movement and less grease will be needed as the rifle is broken in.
9. Before replacing the bolt, make sure the barrel is free from obstructions.
10. After cleaning the bolt assembly, check to be sure there are no cartridges in the rifle, close the bolt and pull the trigger. The firing pin must fall. Repeat at least 5 times. **Use of snap caps is strongly recommended.**
11. **WARNING! If the firing pin does not fall or do not remain cocked when the bolt is closed smartly, then your rifle is NOT in a safe operating condition and it must NOT be used until you have had it inspected by a gunsmith.**
12. Repeat step 9 but move the safety lever to the “S” position. The firing pin must NOT fall. Repeat at least 5 times.

WARNING! If the firing pin falls, your rifle is NOT in a safe operating condition and it must NOT be used until you have had it inspected by a gunsmith.

WARNING! This firearm should be checked periodically by a gunsmith to ensure proper functionality and safety.

5.5. Chassis cleaning and maintenance

1. When tightening fasteners do not over tighten. Where a torque is specified, employ an accurate in-lbs torque wrench. Use correct fitting tools to loosen or tighten fasteners.
2. When operating the controls of the stock, do not use excessive force.
3. To clean the chassis, use a soft brush to remove accumulated sand, mud and debris. Wipe down surfaces using soft rags. Do not use harsh chemicals or any abrasive materials to clean the chassis.

5.6. Threadlocker application procedure

Your firearm came with a threadlocker liquid that need to be applied on screws prior assembly and torque. The threadlocker will prevent screws loosening from vibration and shock and provide screws lubricity during torque procedure.

1. Before applying threadlocker, verify that both thread on screws and hole are free from rust, dirt or debris, oil, and grease.
2. For through holes, apply threadlocker directly on screws (fig 1).

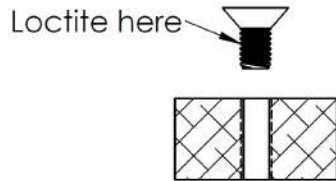


Fig.1 Through Hole

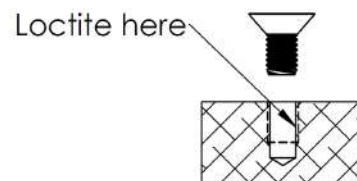


Fig.2 Blind Hole

3. For blind holes, apply threadlocker on thread hole (fig 2).
4. Once threadlocker is applied, tighten all screws by hand and then torque them to the appropriate torque.
5. We recommend letting the threadlocker cure for a 24h period before using your firearm.

6. TECHNICAL AND WARRANTY SUPPORT

For technical and warranty support, the point of contact is Cadex Defence. Contact information:

CADEX INC. 755 avenue Montrichard, Saint-Jean-sur-Richelieu, Québec, Canada J2X 5K8

Email: customerservice@cadexinc.com **Website:** www.cadexdefence.com **Tel:** 1-888-348-6774

To order parts, please have the following before contacting us:

- Firearm model and serial number
- Firearm and chassis color
- Part description, item number and quantity (they can be found on Appendix A)
- Your complete mailing address



Limited Lifetime Warranty

At Cadex Defence we take a great sense of pride in the products that we design and produce as well as our customer service. If you are experiencing any problems, we appreciate your honesty with the situation and we will do what is right to help you as we really care for our customers.

We warrant products manufactured by Cadex Inc. to be free of defects in material or workmanship/manufacturing for **one year** following the initial owner's purchase. Cadex Defence reserves the right to cover under warranty, at its own discretion, its products for the **lifetime** of the product if we feel that it didn't meet our high standards of performance. Cadex reserves the right to use its discretion to warranty its products in special scenarios that have or may present themselves that are not noted in this document.

Cosmetic wear and normal wear items including but not limited to the barrel, extractors, ejectors, and springs are not covered by the warranty and it is the responsibility of the owner to assure the weapon is properly maintained.

Your Cadex Defence product was manufactured to perform properly with the original parts as designed. Altering or modifying parts is dangerous and will void the warranty. It is your responsibility to make sure any parts you install are made for this firearm, installed correctly, and that neither the originals nor the replacement parts are altered or changed. Firearms are complex precision tools with many parts that must operate correctly with other parts in order to maintain proper and safe operation. Putting your firearm together improperly or with incorrect or modified parts can result in a damaged firearm, serious personal injury, or death to you and/or others through malfunction. Always have a qualified armorer or gunsmith work on your Cadex Defence system or other firearms.

Please have the following information ready. You can contact us via email or toll free at the contact information listed below.

- Product Model
- Serial Number
- Date of Purchase
- Point of Purchase

CADEX INC.

755 Avenue Montrichard, St-Jean-sur-Richelieu, Quebec, Canada, J2X 5K8

customerservice@cadexinc.com

Office: 450-348-6774 (CANADA) • 802-466-4003 (USA)

Toll free: 1-888-348-6774

A message from the owner

For Cadex, customer satisfaction is very important.

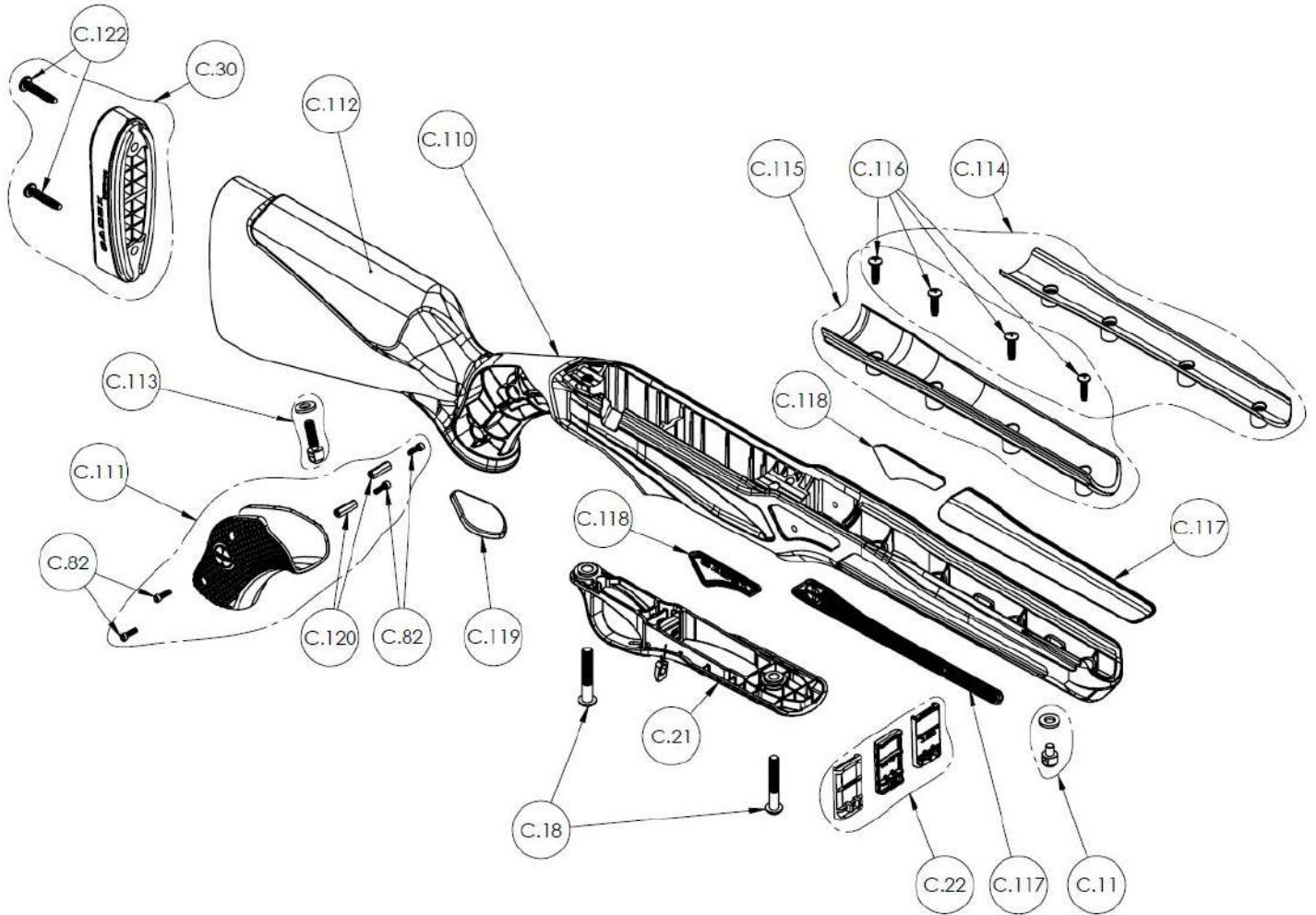
If you experience a problem with one of our dealers or distributors don't wait for the situation to get worse before bringing it to our attention. We firmly believe that with good communication and a little goodwill from both sides we will be able to find a solution to your problem.

Please contact us as soon as possible if you ever encounter any issues with one of our products.

- Serge Dextraze, Cadex CEO

7. APPENDIX A - SPARE PARTS

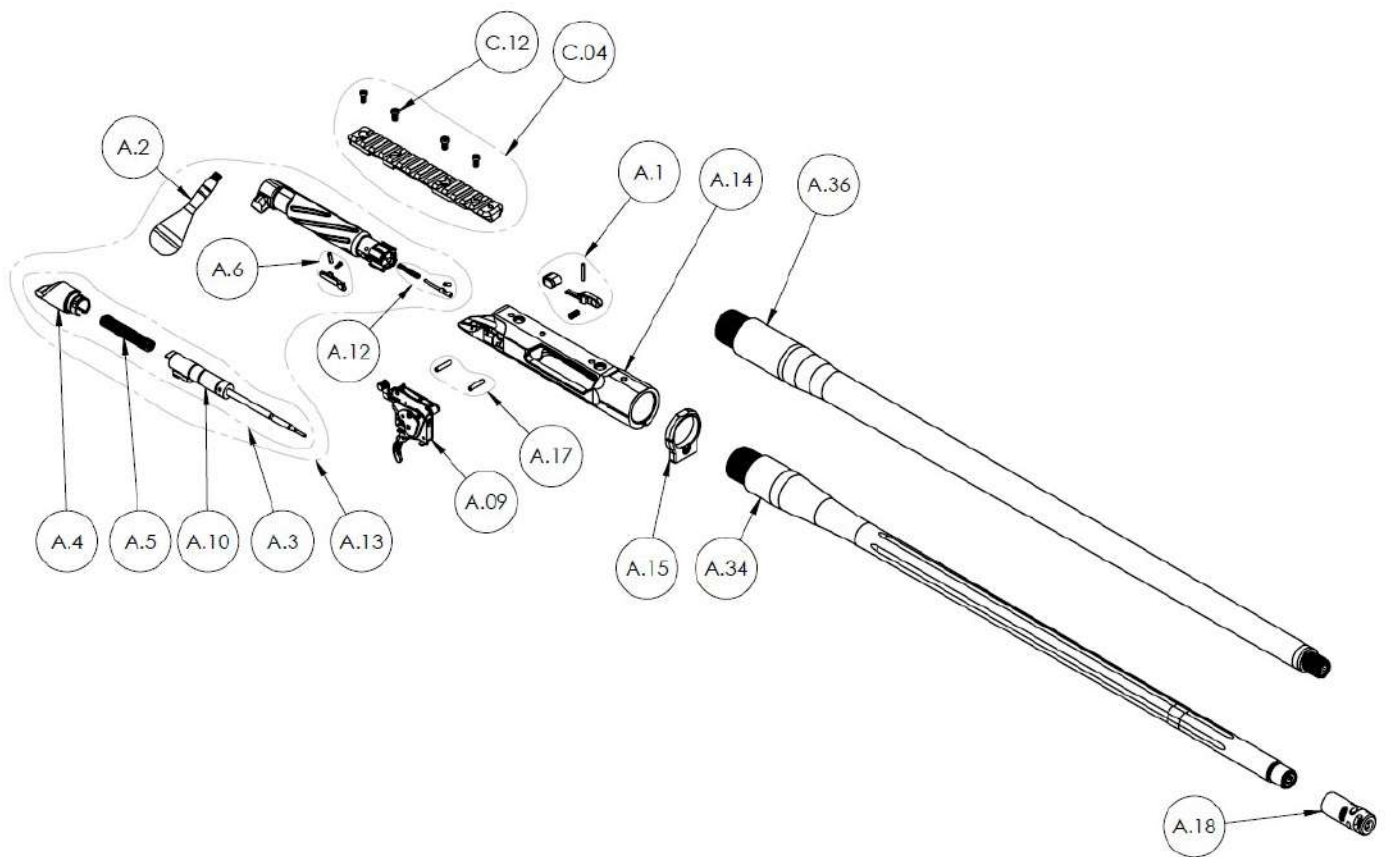
7.1. Chassis spare parts



ITEM	DESCRIPTION	QTY*
C.11	BIPOD STUD (WASHER INCLUDED)	1
C.18	ACTION SCREW KIT (2 SCREWS AND 2 WASHERS)	2
C.21	DETACHABLE BASE (WITH MAGAZINE CATCH)	1
C.22	MAGAZINE SLEEVE	1
C.30	BUTT PAD KIT	1
C.82	SHCS 4-40 X 3/8	4
C.110	TUNDRA STRIKE CHASSIS	1
C.111	TUNDRA STRIKE HANDLE ASSEMBLY	1
C.112	CHEEK PIECE FOAM TUNDRA STRIKE	1
C.113	SLING STUD FOR TUNDRA STRIKE (WASHER INCLUDED)	1
C.114	PLASTIC COVER FOR SPORTER BARREL	1
C.115	PLASTIC COVER FOR CARBON BARREL	1
C.116	PHILLIPS ROUNDED HEAD THREAD FORMING, #8 X 5/8"	4
C.117	FRONT RUBBER PATCH TUNDRA STRIKE	2
C.118	SIDE RUBBER PATCH TUNDRA STRIKE	2
C.119	SOFT STOCK BOTTOM PATCH	1
C.120	THREADED STANDOFF, 3/16" HEX 5/8"L, #4-40 UNC	2
C.122	PHILIPS ROUNDED HEAD THREAD FORMING, #10 X 1"	2

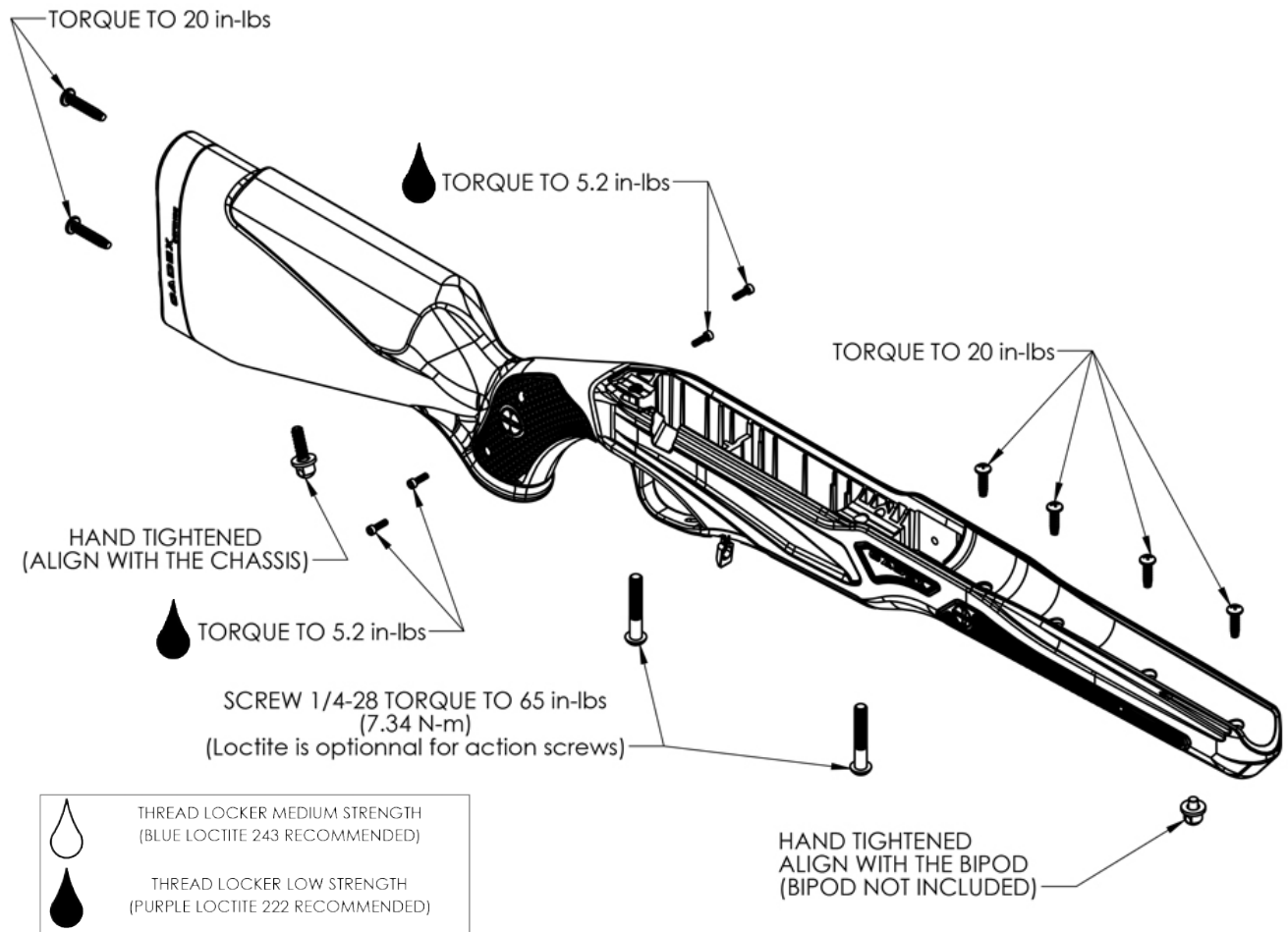
*Quantity may vary depending of chassis model

7.2. Firearm spare parts



ITEM	DESCRIPTION	QTY
A.1	BOLT STOPPER KIT (SHEEPDOG / SHEPHERD)	1
A.2	BOLT KNOB	1
A.3	COMPLETE FIRING PIN ASSEMBLY (SHEEPDOG / SHEPHERD)	1
A.4	BOLT SHROUD (SHEEPDOG / SHEPHERD)	1
A.5	FIRING PIN SPRING (SHEEPDOG / SHEPHERD)	1
A.6	EXTRACTOR KIT (SHEEPDOG / SHEPHERD)	1
A.9	DX2 EVO TRIGGER ASSEMBLY (WITH SAFETY)	1
A.10	FIRING PIN (SHEEPDOG / SHEPHERD)	1
A.12	EJECTOR KIT (SHEEPDOG / SHEPHERD)	1
A.13	COMPLETE BOLT ASSEMBLY (PLEASE SPECIFY MODEL AND CALIBER WHEN ORDERING)	1
A.14	ACTION	1
A.15	RECOIL LUG	1
A.17	TRIGGER PINS	2
A.18	HUNTING MUZZLE BRAKE	1
A.34	CADEX SPORTER BARREL	1
A.36	CARBON FIBER BARREL	1
C.04	RECEIVER TOP RAIL ASSEMBLY	1
C.12	TOP RAIL SCREW	4

8. APPENDIX B - RECOMMENDED TORQUE SETTING



*Image for reference only

WARNING!

Regardless of shipping method, Cadex highly recommends checking each preset screws torque preventively.

If your order shipped by plane, and as such, withstood high amounts of vibrations, you MUST verify each preset screws for the right torque before using the weapon by referring to the figure above.





CADEX INC.

HEAD OFFICE

755 ave. Montrichard,
Saint-Jean-sur-Richelieu, QC
Canada, J2X 5K8

Tel: 450-348-6774

Toll free: 1-888-348-6774

Fax: 450-348-7157



WWW.CADEXDEFENCE.COM