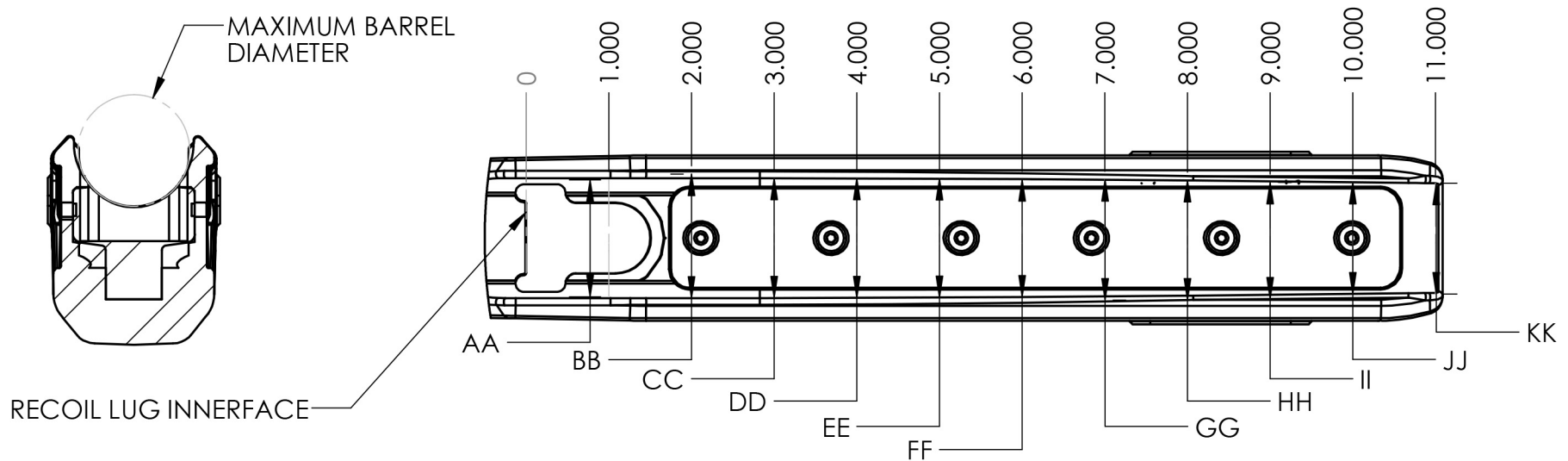


# TABULATED BARREL CONTOUR DIMENSIONS FOR NUKE CHASSIS



	MAXIMUM BARREL DIAMETER *										
	AA	BB	CC	DD	EE	FF	GG	HH	II	JJ	KK
NUKE REM 700 SA	1.350	1.350	1.348	1.348	1.347	1.346	1.346	1.345	1.344	1.343	1.337
NUKE REM 700 LA	1.349	1.348	1.348	1.347	1.347	1.346	1.345	1.345	1.344	1.329	-

\*Cadex recommends a gap of 0.050" on the radius of the barrel to limit interference.

\*\*Barrel dimensions from center of the action  $\varnothing$  1.350" for rem.